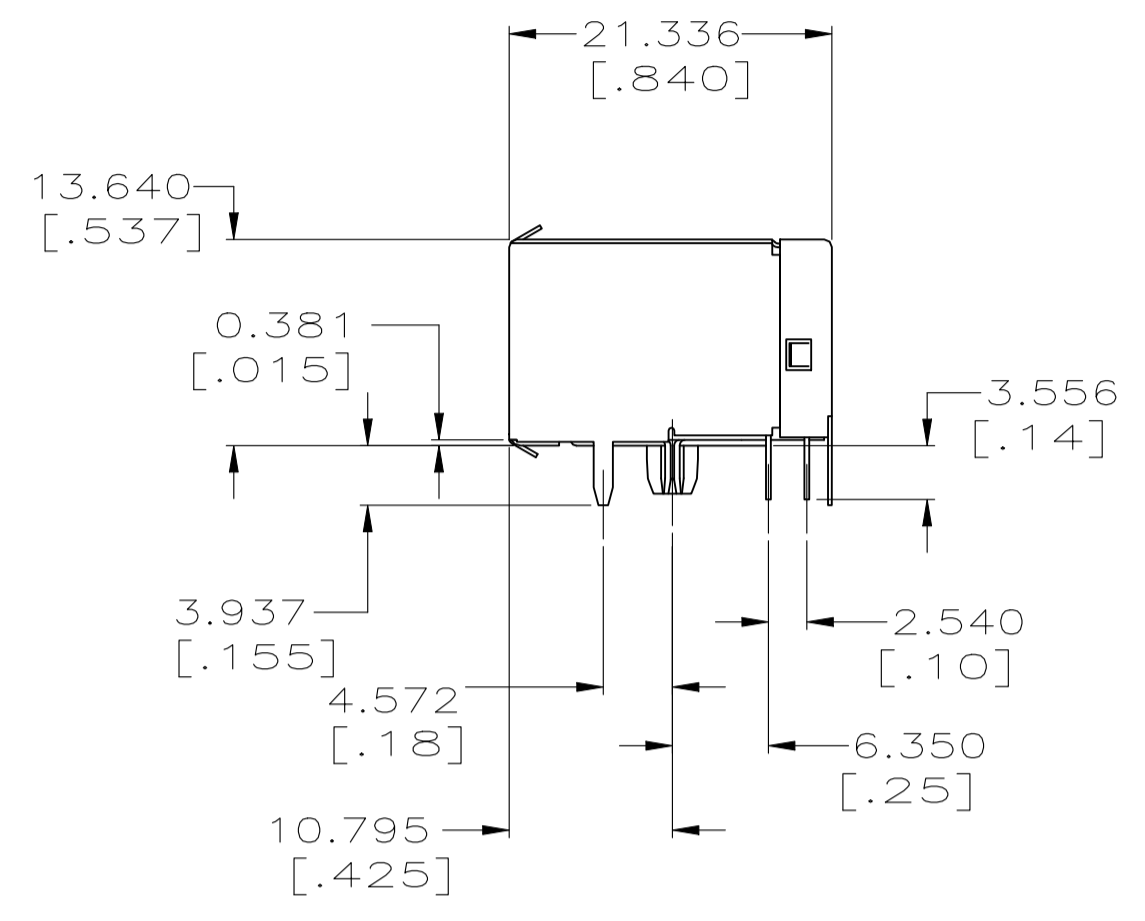
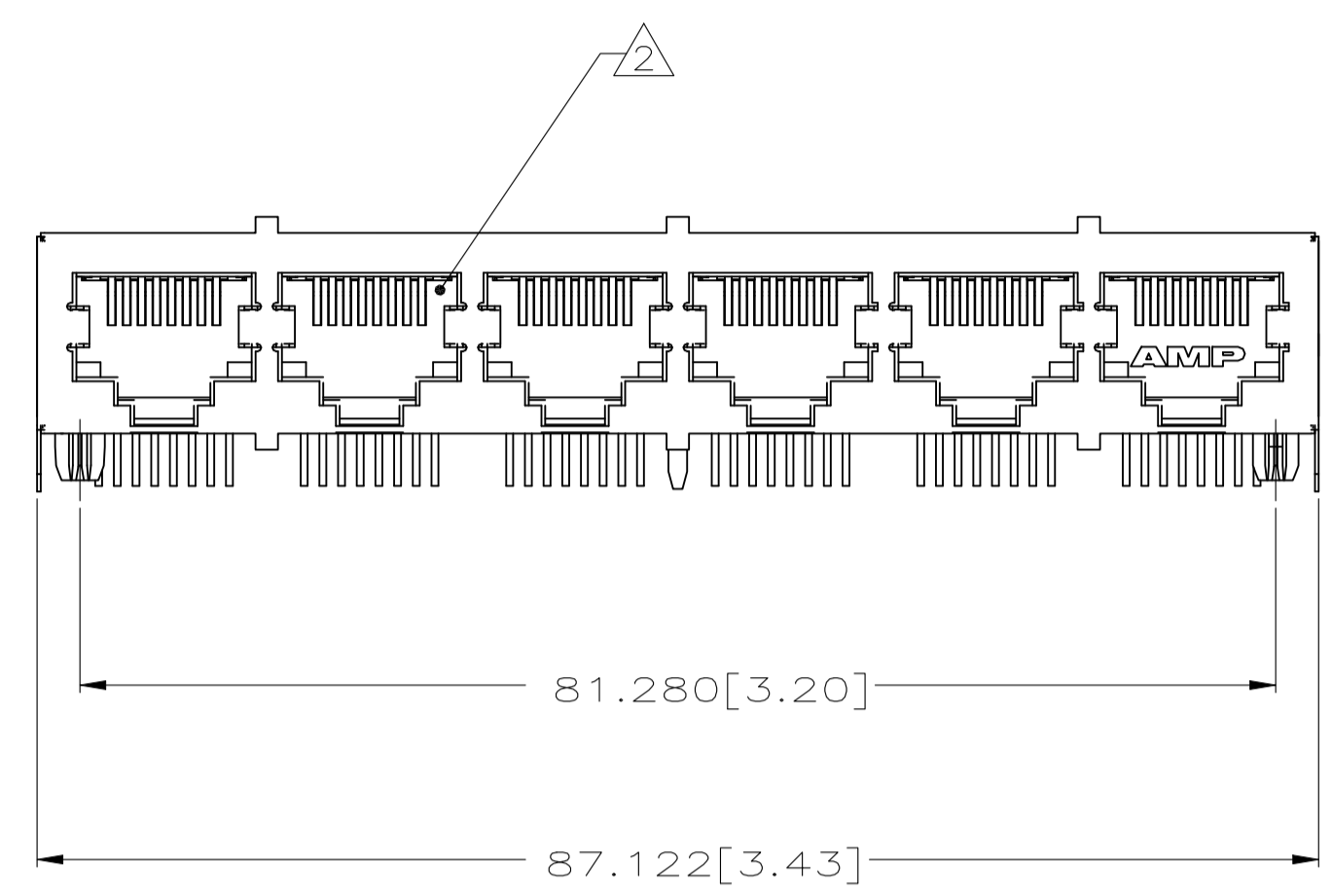
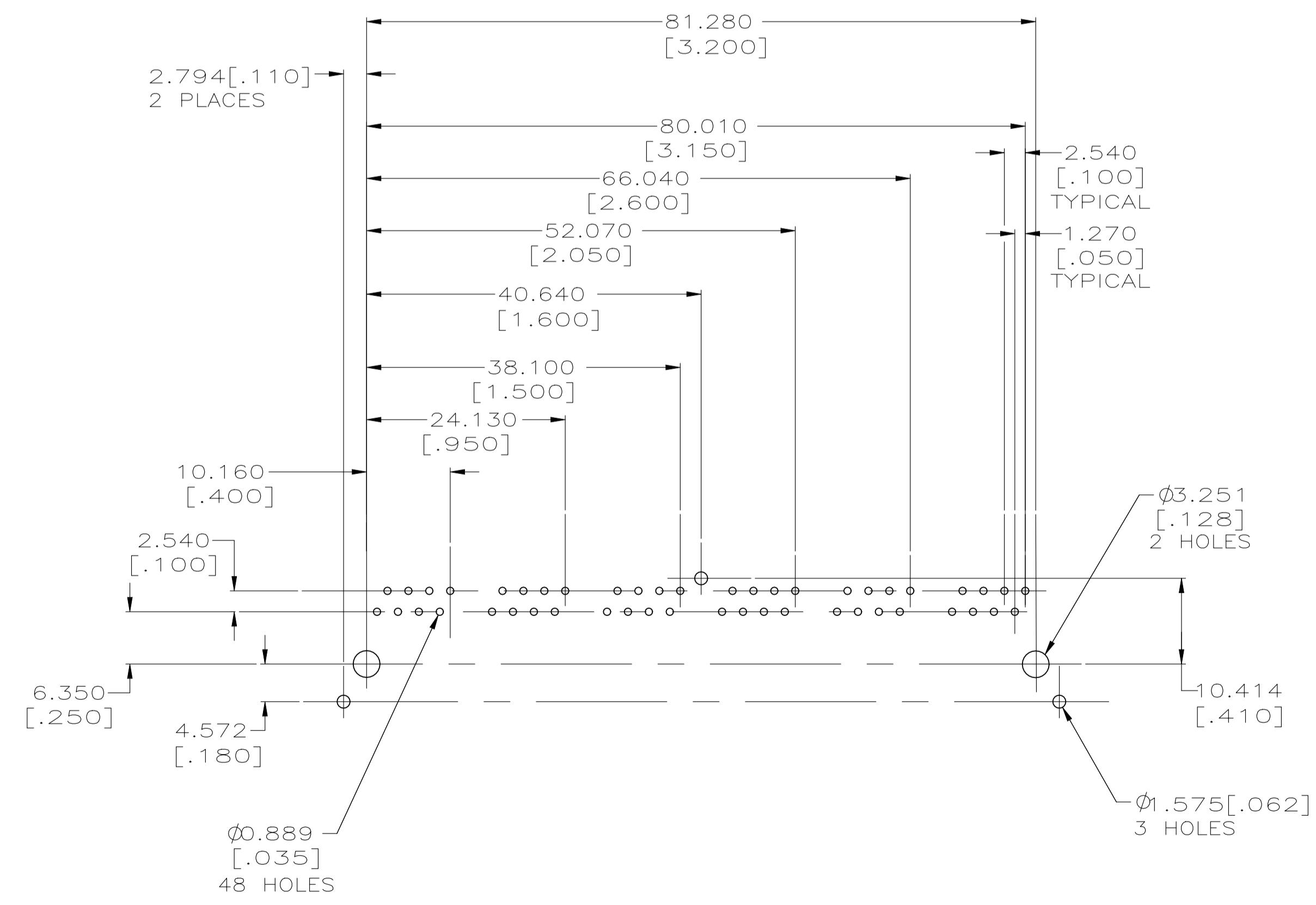


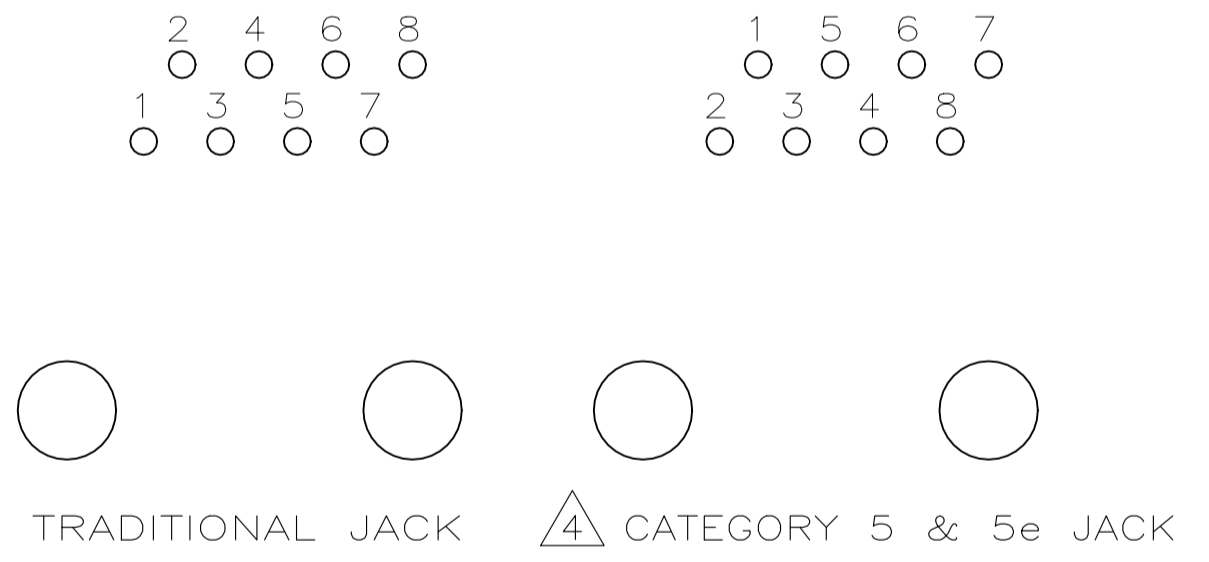
REVISIONS					
REV	DESCRIPTION	DATE	BY	CHK	APP'D
A2	ECR-19-014657	13DEC2020	RR	SZ	



- △ MATERIAL: HOUSING PCT POLYESTER, BLACK, IR COMPATIBLE, UL 94V-0.
TERMINALS - 0.33 [.013] THICK PHOS BRONZE PLATED WITH 1.27 um [.000050] MINIMUM HARD GOLD IN LOCALIZED AREA AND 3.81 um [.000150] MINIMUM MATTE TIN IN SOLDER AREA OVER
1.27 um [.000050] MINIMUM NICKEL UNDERPLATE.
SHIELDS - 0.254 [.010] THICK COPPER ALLOY PLATED WITH 1.27 um [.000050] MINIMUM NICKEL AND 2.03 um [.000080] MINIMUM HOT TIN DIP ON PCB GROUND TABS.
- △ JACK CAVITY CONFORMS TO FCC RULES AND REGULATIONS, PART 68 SUBPART F.
- 3. ALL DIMENSIONS ARE NOMINAL UNLESS OTHERWISE SPECIFIED.
- △ CAUTION: CATEGORY 5 JACK SOLDER TAIL POSITIONS DO NOT FOLLOW SAME NUMBER SEQUENCE AS THAT OF THE TRADITIONAL JACKS.



SUGGESTED PC BOARD LAYOUT
COMPONENT SIDE
SEE APPLICATION SPECIFICATION



5558525-1
PART NUMBER

THIS DRAWING IS A CONTROLLED DOCUMENT.		DIN A. FERNANDEZ-DUCKS 09JUN2005	TE Connectivity	
DIMENSIONS: mm [NCHES]		CHK J. WESTMAN 09JUN2005	NAME	
TOLERANCES UNLESS OTHERWISE SPECIFIED:		APVD S. FLICKINGER 09JUN2005	MODULAR JACK ASSEMBLY, 6 PORT, 8 POSN, R/A, CATEGORY 5e, PANEL GROUND SHIELD	
0. PLC ± -	1. PLC ± -	PRODUCT SPEC	108-1392	
2. PLC ± 0.254 [01]	3. PLC ± 0.127 [005]	APPLICATION SPEC	114-2048	
4. PLC ± -	ANGLES ± -	SIZE	CAGE CODE	DRAWING NO
MATERIAL △	FINISH △	WEIGHT	0.000000	A1 00779
CUSTOMER DRAWING		SCALE	1:1	SHEET 1 of 1
		REV	A2	

单击下面可查看定价，库存，交付和生命周期等信息

[>>TE Connectivity\(泰科\)](#)