

REVOLUTIONS		変更	ECN	DATE	DWN	APVD
M	REDRAWN W/CHANGE	FJ00-0601-98	30MAR98	AY	AB	
M1	ECO-10-000030		05JAN10	KK	AEG	
M2	REVISED PER ECR-19-001123		27JUN19	Y.O	E.T	

AMP PARTS NUMBER 型番	DIA 束線径 mm	Fig 図	DIMENSION 寸法													
			A	B	C	D	E	F	G	H	J	K	L	M		
1 171353-1	1~21	3	4.4	4.1	4.3	2.5	1.5	1.15	0.7	5.0	100.0	19.0	82.0	75.0		
2	2~32	2	6.8	4.5	5.0	3.3	∅0.9	1.3	∅0.9	∅2.5	154.0	—	—	—		
3	3~37	4	6.0	5.0	5.0	3.4	2.4	1.2	0.4	7.0	145.0	—	—	—		
4	3~44	2	7.5	5.8	5.8	4.0	∅1.0	1.2	∅1.0	∅2.8	186.0	—	—	—		
5	3~50	1	7.0	4.0	5.5	4.0	2.0	1.15	0.3	7.0	185.0	—	—	—		
6	3~50	1	7.6	5.5	5.5	4.5	3.0	1.3	0.4	10.0	185.0	—	—	—		
7	10~100	4	8.0	5.5	5.5	5.0	3.0	1.3	0.4	12.0	365.0	—	—	—		
8 171353-8	10~100	4	11.8	7.3	7.0	7.8	5.0	2.0	0.6	10.0	365.0	—	—	—		
9 171353-9	3~50	4	7.6	5.5	5.5	4.5	3.0	1.3	0.4	10.0	185.0	—	—	—		
△ 10	1-171353-1	3	4.4	4.1	4.3	2.5	1.5	1.15	0.7	5.0	100.0	19.0	82.0	75.0		
△ 11	1-171353-2	3	4.4	4.1	4.3	2.5	1.5	1.15	0.7	5.0	100.0	19.0	82.0	75.0		
12	1-171353-3	3	4.8	4.0	4.4	2.5	—	1.2	—	—	101.5	—	—	—		

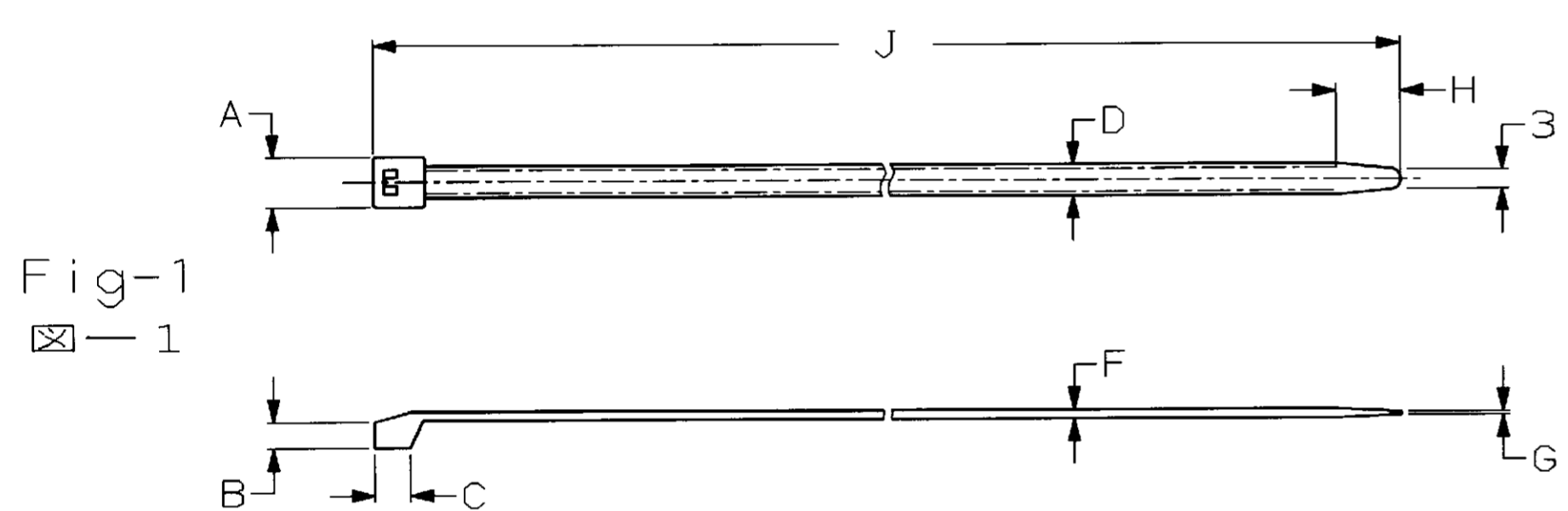


Fig-1
☒-1

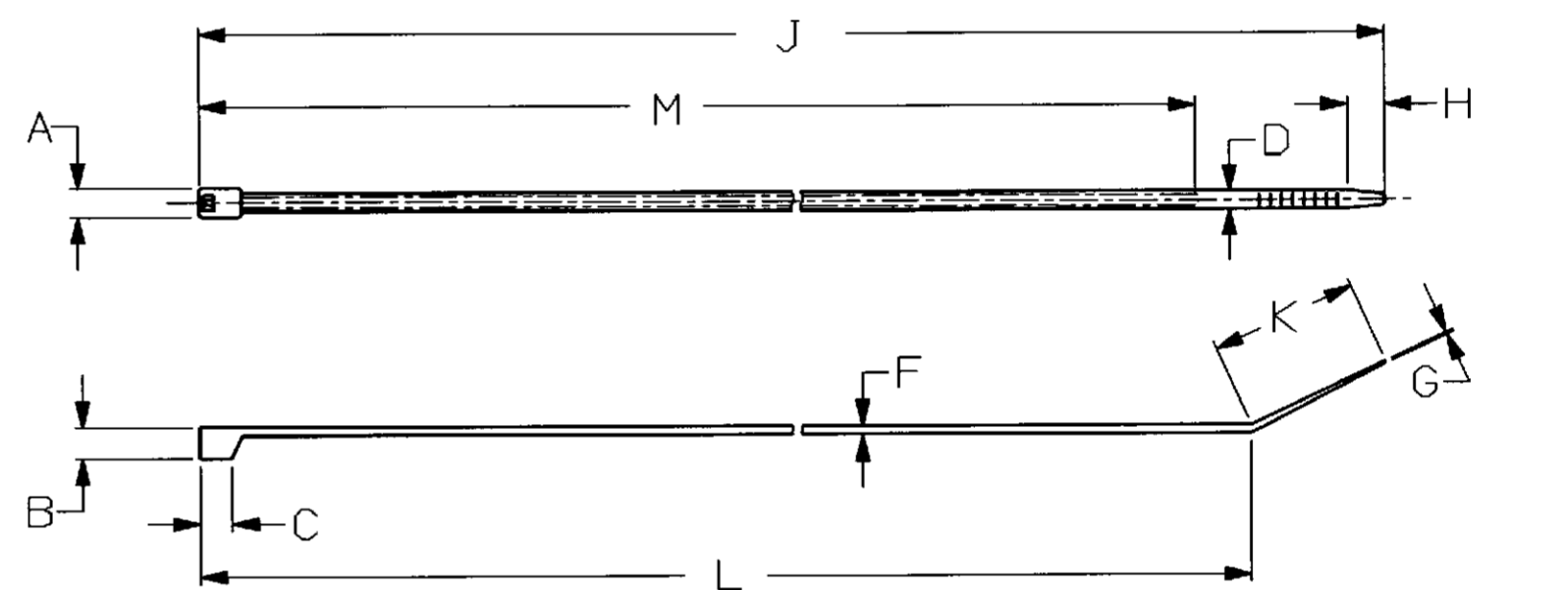


Fig-3
☒-3

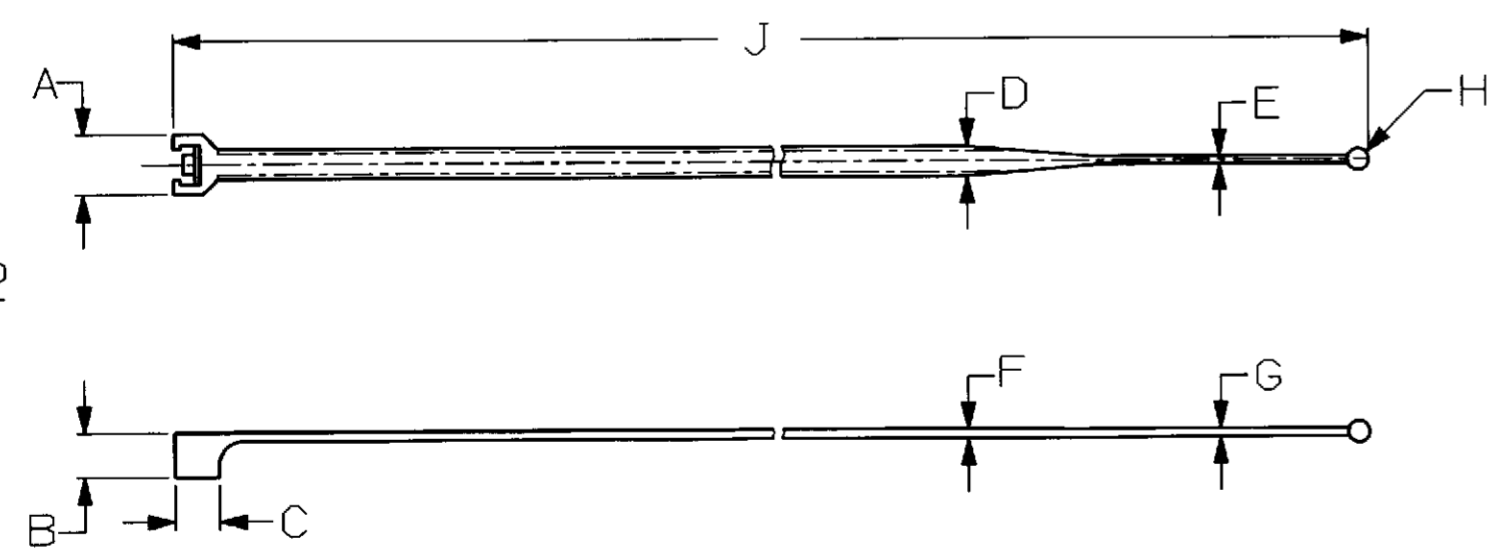


Fig-2
☒-2

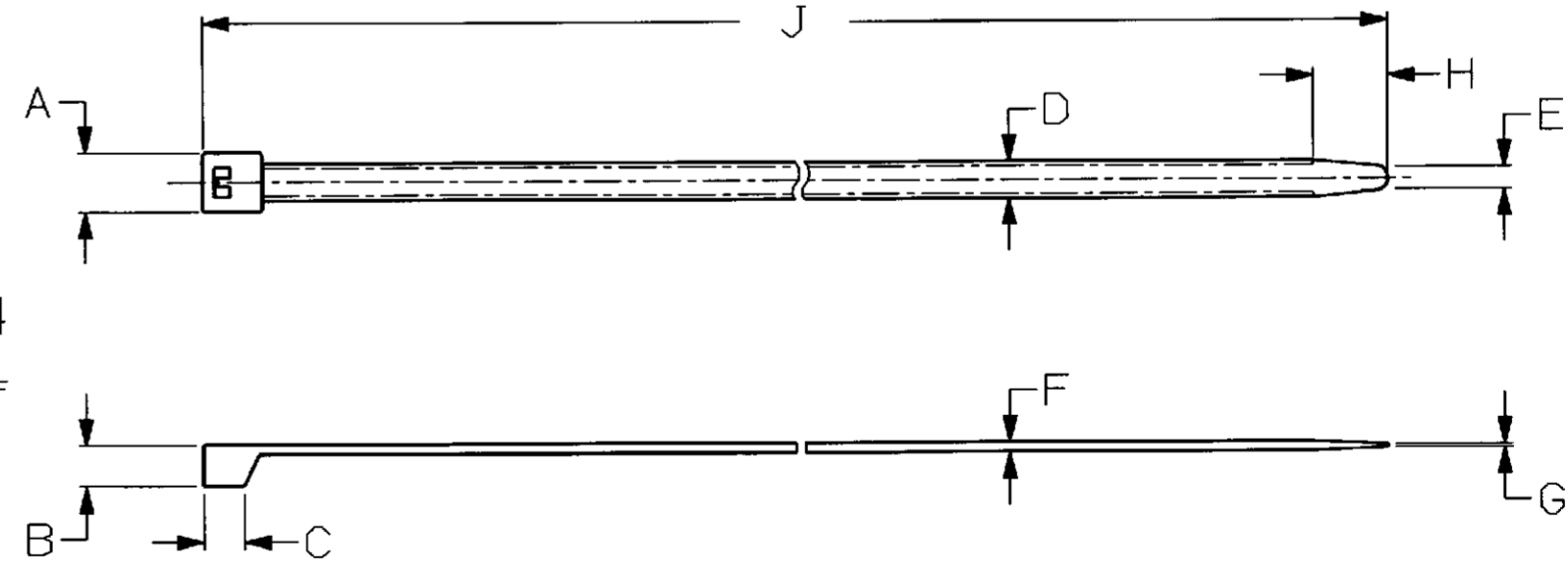


Fig-4
☒-4

- △ 1-171353-1 : DYED BLACK
- △ 1-171353-2 : UL94V-0
- △ OBSOLETE PARTS
- △ 1-171353-1は 黒色に染色。
- △ 1-171353-2は 難燃性 UL-94V-0.

THIS DRAWING IS A CONTROLLED DOCUMENT FOR AMP INCORPORATED. IT IS SUBJECT TO CHANGE AND THE CONTROLLING ENGINEERING ORGANIZATION SHOULD BE CONTACTED FOR THE LATEST REVISION.		CHK A. Yamaguchi	DATE 30MAR98	WIRE RANGE 結合電線断面種		INSULATION DIA 被覆外径	
DIMENSIONS 単位 純 mm		TOLERANCES UNLESS OTHERWISE SPECIFIED 一般公差 ±0.4		TE Connectivity NAME SK バインダー ケーブル タイ SK BINDER CABLE TIE			
MATERIAL 材料 66 ナイロン PA66	FINISH 仕上	APVD 30MAR98	PRODUCT SPEC 製品規格	APPLICATION SPEC 取付適用規格	SIZE A2	CAGE CODE 00779	DRAWING NO C-171353
CUSTOMER DRAWING				RESTRICTED TO ---	SCALE 尺度 1:1	SHEET OF	REV M2

单击下面可查看定价，库存，交付和生命周期等信息

[>>TE Connectivity\(泰科\)](#)