

4

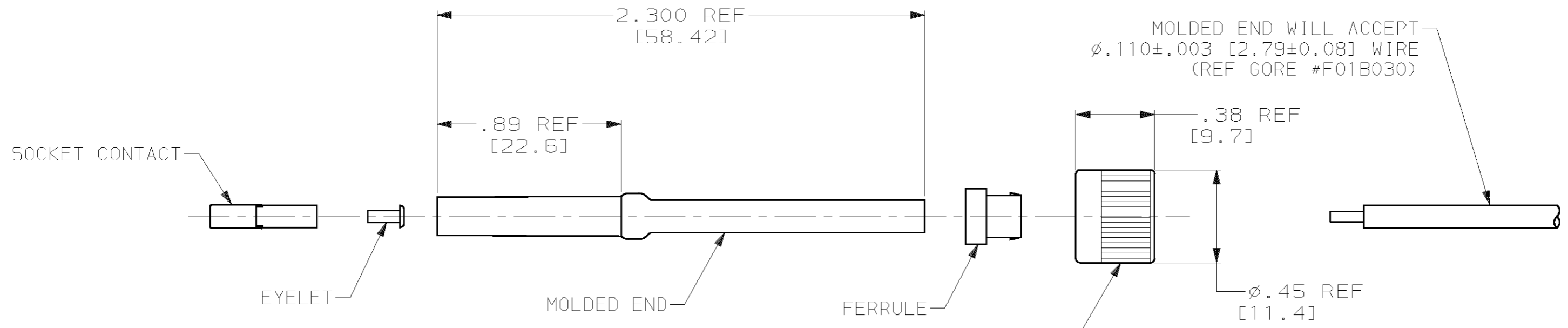
3

2

1

THIS DRAWING IS UNPUBLISHED. RELEASED FOR PUBLICATION, 19 .
© COPYRIGHT 19 BY AMP INCORPORATED. ALL RIGHTS RESERVED.

LOC	DIST	REVISIONS			
P	LTR	DESCRIPTION	DATE	DWN	APVD
DF	50	C	REV & REDRAWN; 0G3D-0300-99	5-00	CT DE



MAT'L: PBT PER MIL-M-24519
COLOR: GREEN

1. TAG IS MARKED WITH AMP, AMP PART NO, DATE CODE AND CUSTOMER PART NO. (SEE TABLE) PER MIL-STD-130,

34062120-001	868286-1
CUSTOMER PART NO.	PART NUMBER

THIS DRAWING IS A CONTROLLED DOCUMENT.		DWN	C.C. THOMAS	5/9/00	AMP AMP Incorporated Harrisburg, PA 17105-3608
DIMENSIONS: INCHES [mm]		CHK	D. EABY	5/9/00	
TOLERANCES UNLESS OTHERWISE SPECIFIED:		APVD	D. EABY	5/9/00	NAME
0 PLC ±-		PRODUCT SPEC	-		MOLDED END BOOT KIT, POSITIVE STOP, LGH-1/2L
1 PLC ±-		APPLICATION SPEC	-		SIZE
2 PLC ±-		WEIGHT	-		A3
3 PLC ±-		CUSTOMER DRAWING	CAGE CODE	00779	DRAWING NO
4 PLC ±-				C-868286	RESTRICTED TO
ANGLES ±-					-
FINISH -					SCALE
MATERIAL -					2:1
					SHEET
					1 OF 1
					REV
					C

单击下面可查看定价，库存，交付和生命周期等信息

[>>TE Connectivity\(泰科\)](#)