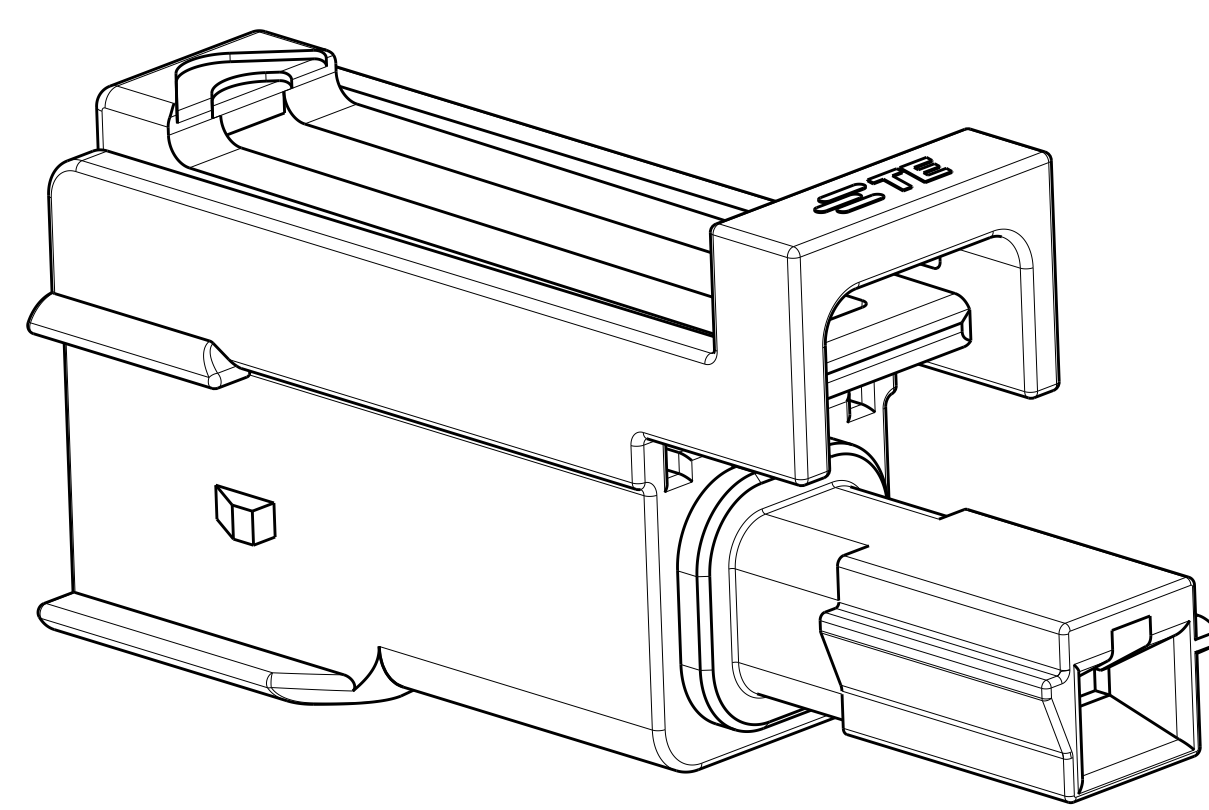
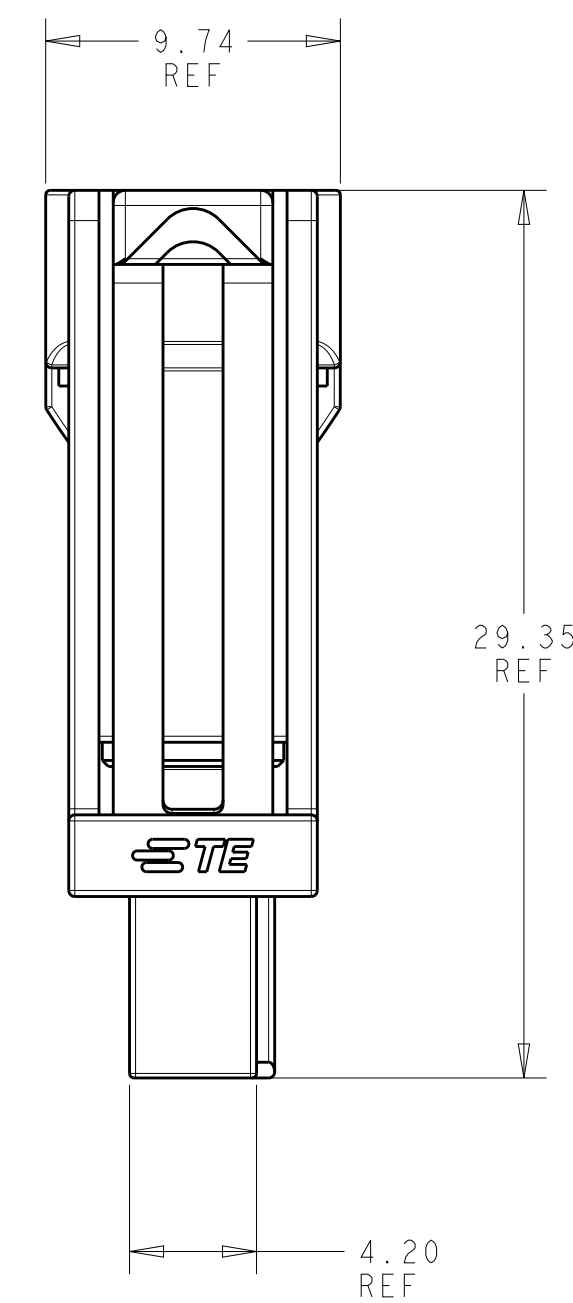
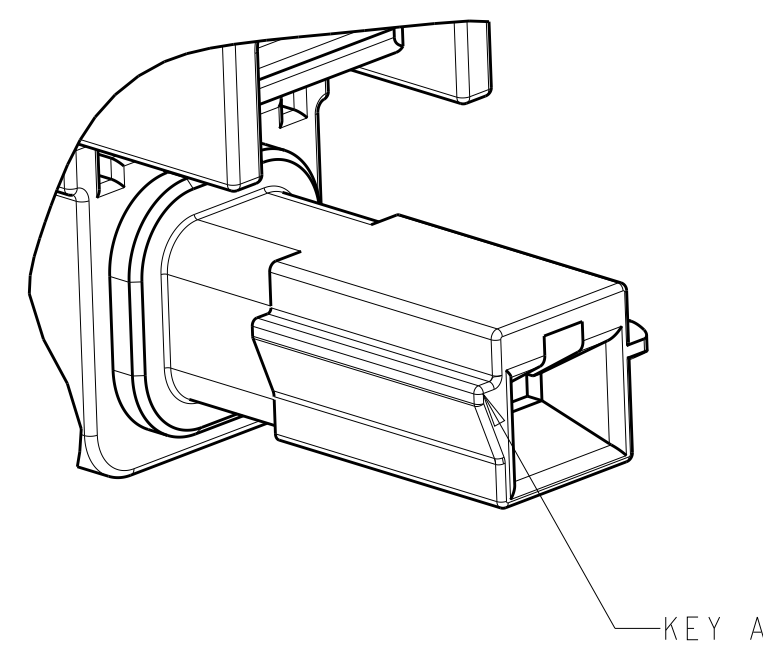
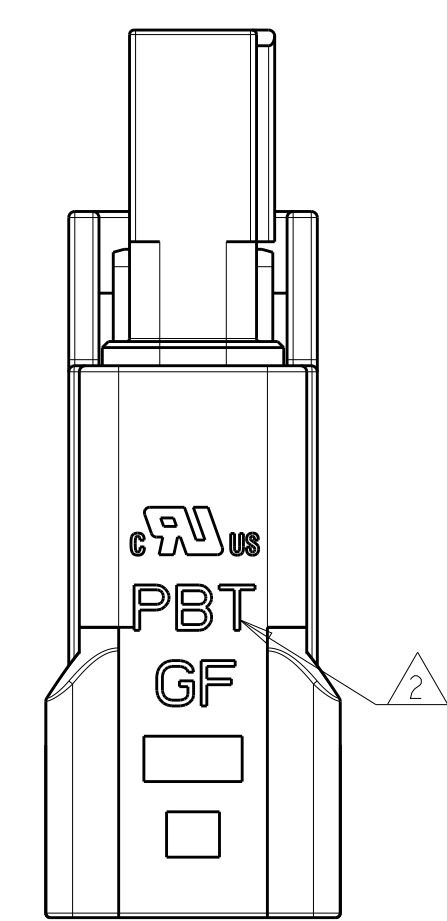
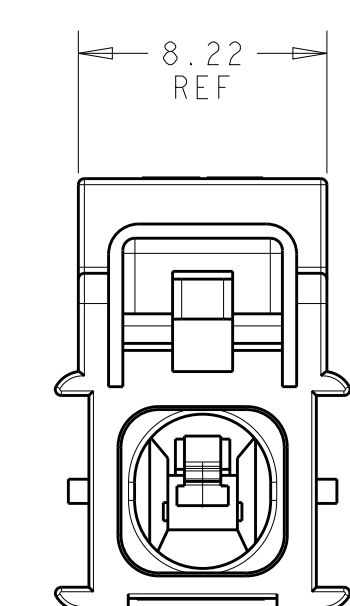
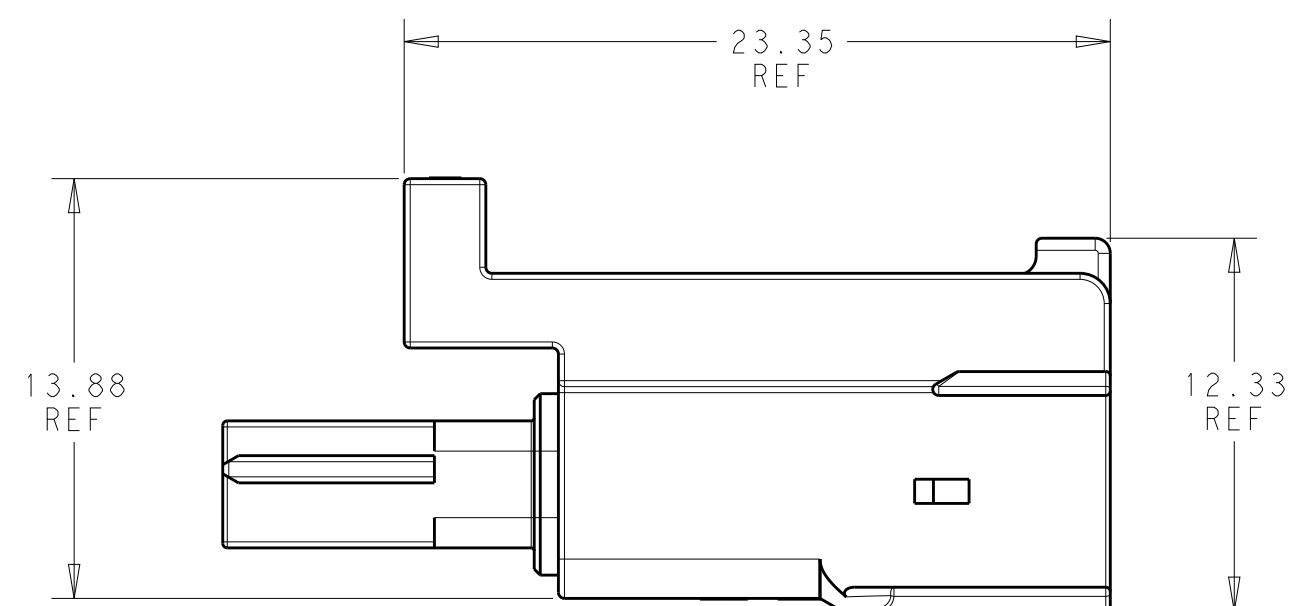
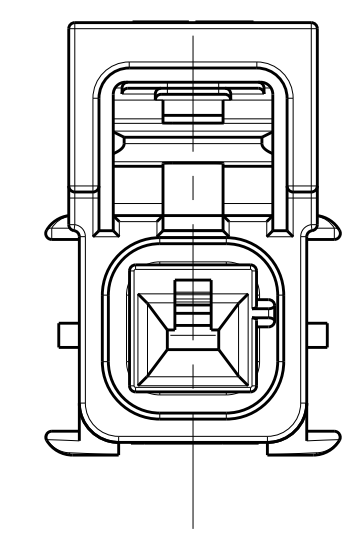


REVISIONS					
P.	LTN.	DESCRIPTION	DATE	DWN.	APVD.
A		RELEASED PER ECO-19-015057	01OCT2018	BKW	GJ
B		REVISED PER ECO-20-003666	12MAR2020	BKW	DS
B1		REVISED PER ECR-20-100211	07AUG2020	JP	VS



- 1. MATERIAL: PBT, GLASS FILLED
KEY A: NATURAL
- 2. MATERIAL MARK: PBT GF
- 3. APPLICABLE CONTACT P/N:
2329913-*/2329916-*/2329912-*/2329914-*/2329915-*/2329917-*
- 4. MATING CONNECTOR P/N:
CAP HSG: *-2345729-1
TPA: 2329016-1
BACK COVER: 2334614-1
INTERFACE SEAL: 2325347-1
GANG SEAL: 2325349-1
- 5. FLAMMABILITY RATING: UL94 V-0



KEY A	1*1	1-2345728-1
KEYING	POSITIONS	PART NUMBER

THIS DRAWING IS A CONTROLLED DOCUMENT.		DWN: B. WEAVER 17OCT2018	TE Connectivity	
		CHK: S. FERNANDES 17OCT2018		
DIMENSIONS:		APVD: C. YI 17OCT2018	NAME: PLUG HOUSING, POWER VERSA-LOCK	
mm	TOLERANCES UNLESS OTHERWISE SPECIFIED:	PRODUCT SPEC	-	
	0 PLC ±	108-143081	-	
	2 PLC ±	APPLICATION SPEC	-	
	3 PLC ±	114-143082	-	
	4 PLC ±	WEIGHT	-	
	ANGLES ±	FINISH	-	
MATERIAL		CUSTOMER DRAWING	SIZE: A1	CAGE CODE: 00779
			DRAWING NO: C=2345728	RESTRICTED TO: -
			SCALE: 6:1	SHEET 1 OF 1
				REV: B1

单击下面可查看定价，库存，交付和生命周期等信息

[>>TE Connectivity\(泰科\)](#)