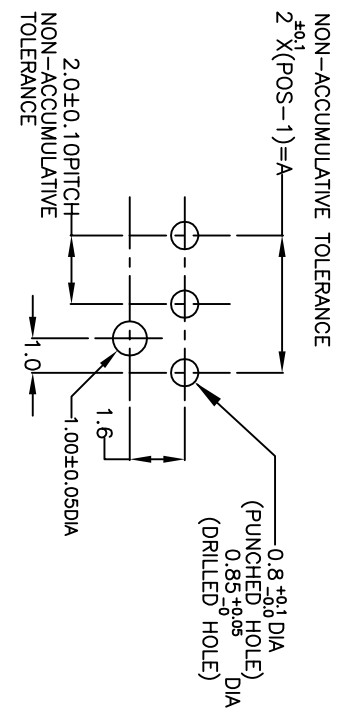
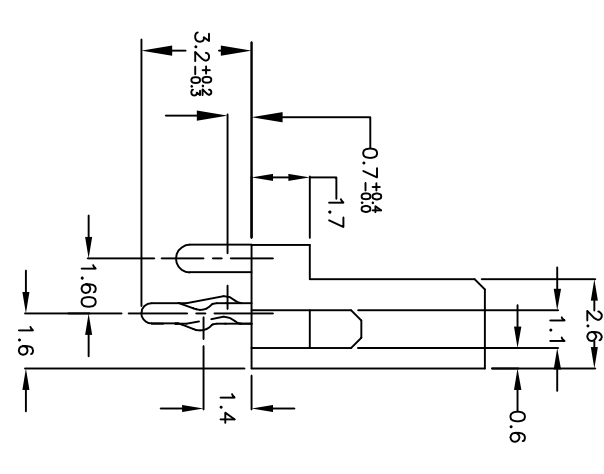
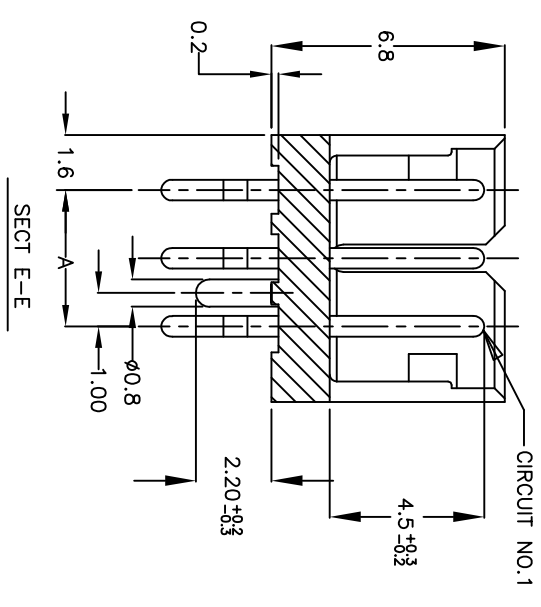
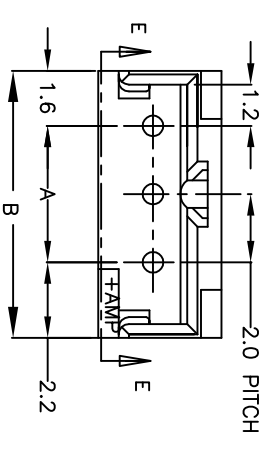


100	DIST	ES 00	REVISIONS	
P	LTR	RELEASED	ECO-05-000610	DATE
0				22MAR05
				C.Z
				I.E



RECOMMENDABLE P.C. BOARD LAYOUT
 PCB THK: 1.6mm

- NOTES:
 1. MATERIAL: HOUSING - 66 NYLON (UL94V-0)
 POST - POST-PLATED TIN BRASS
 2. APPLICABLE RECEIPTACLE: P/N: 173977

THIS DRAWING IS A CONTROLLED DOCUMENT.

DIMENSIONS:	mm	TOLERANCES UNLESS OTHERWISE SPECIFIED:
0 PLC	±	±
1 PLC	±	± 0.2
2 PLC	±	±
3 PLC	±	±
4 PLC	±	± 3

FINISH: 4 PLC

APPROVED: S. YAO
 DATE: 22MAR05

PRODUCT SPEC: 22MAR05

APPLICATION SPEC: NAME

WEIGHT: -

CUSTOMER DRAWING

SIZE	A3	QAGE CODE	00779	DRAWING NO	292389
SCALE	NTS	SHEET	1	OF	1
REV	0				

RESTRICTED TO

NATURAL	7.8	4	3	292389-3
COLOR	B	A	POS	P/N

tyco
Electronics
 Tyco Electronics Corporation
 shanghai cn

POST HEADER ASSEMBLY (V TYPE)
 AMP CT CONNECTOR 2mm PITCH
 WITH HOUSING BOSS

单击下面可查看定价，库存，交付和生命周期等信息

[>>TE Connectivity\(泰科\)](#)