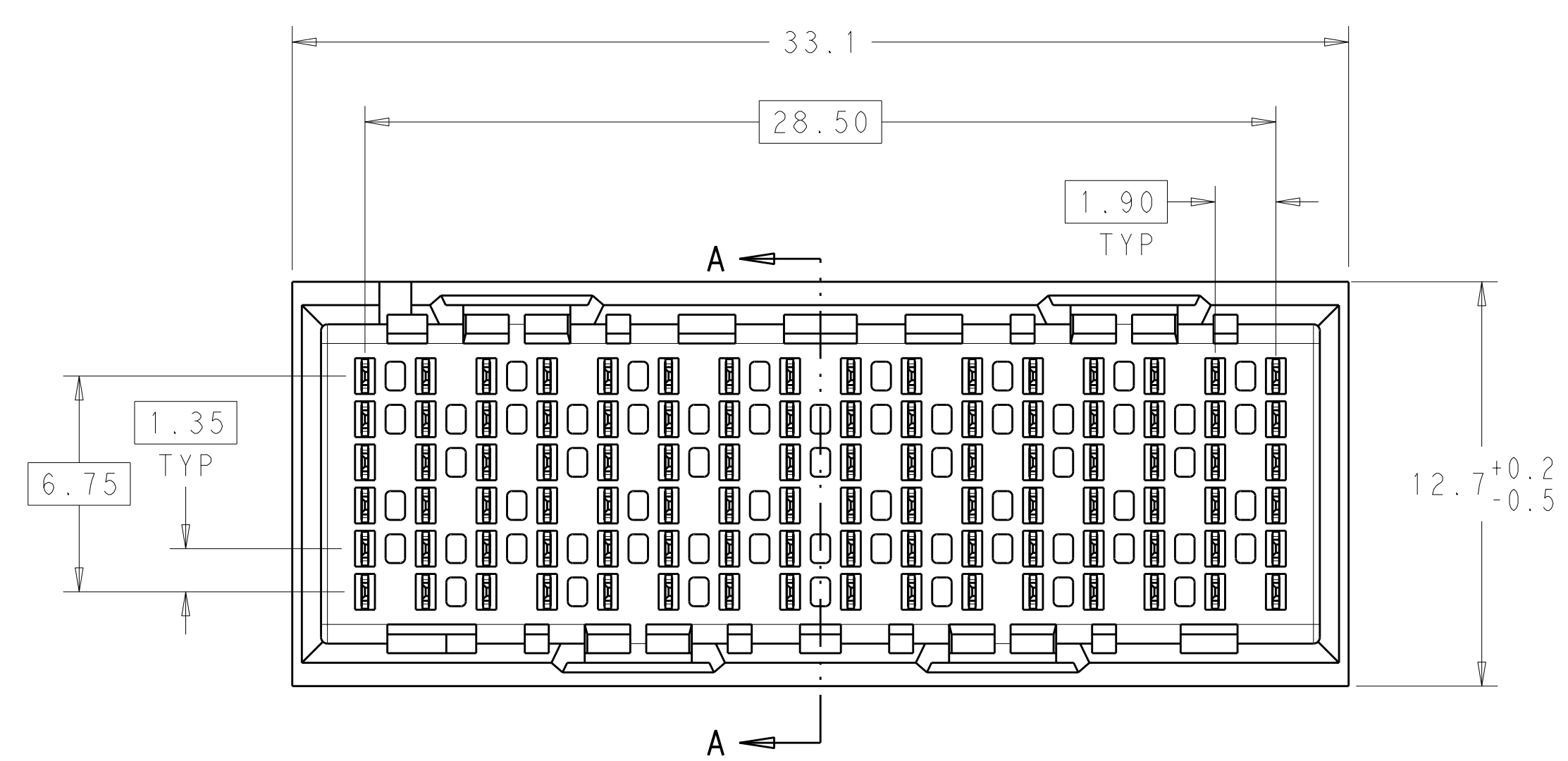
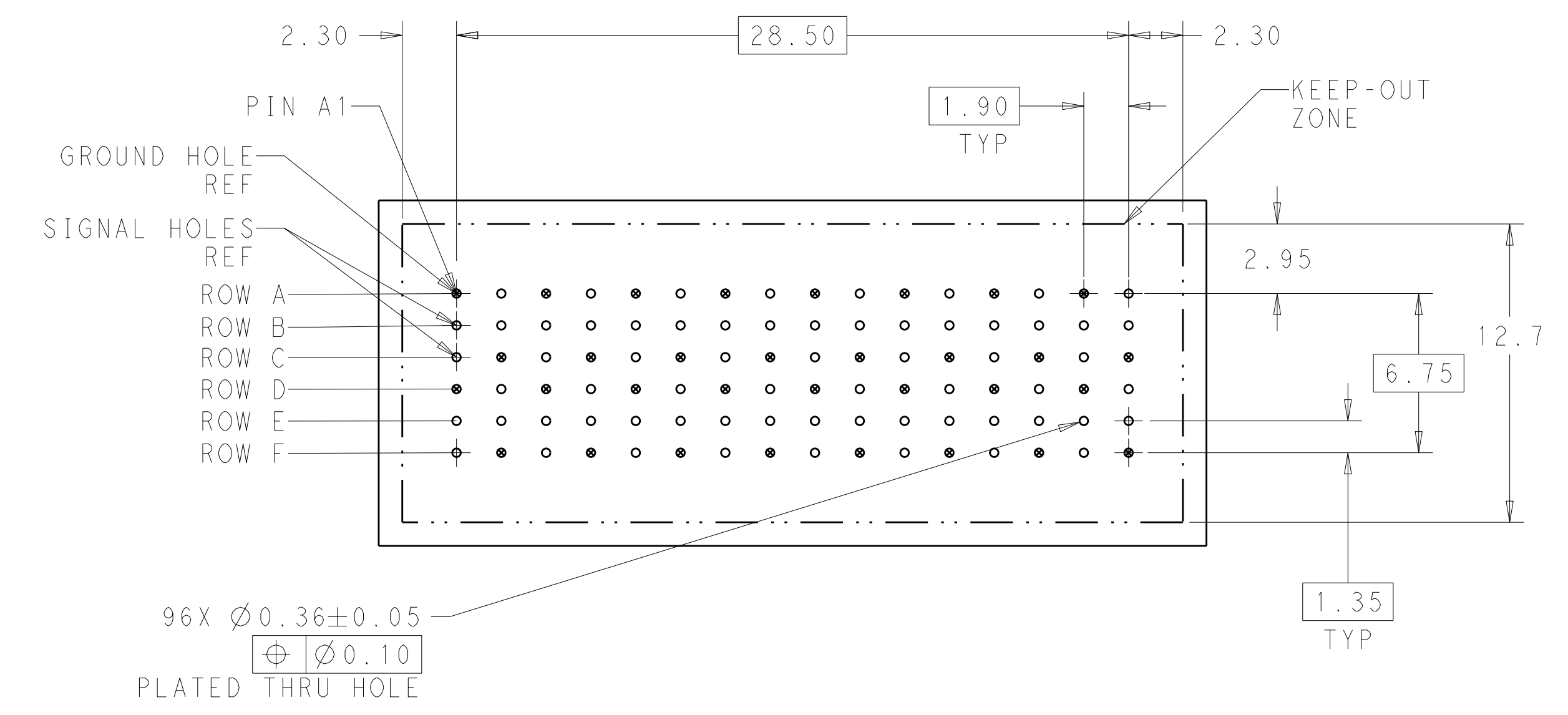
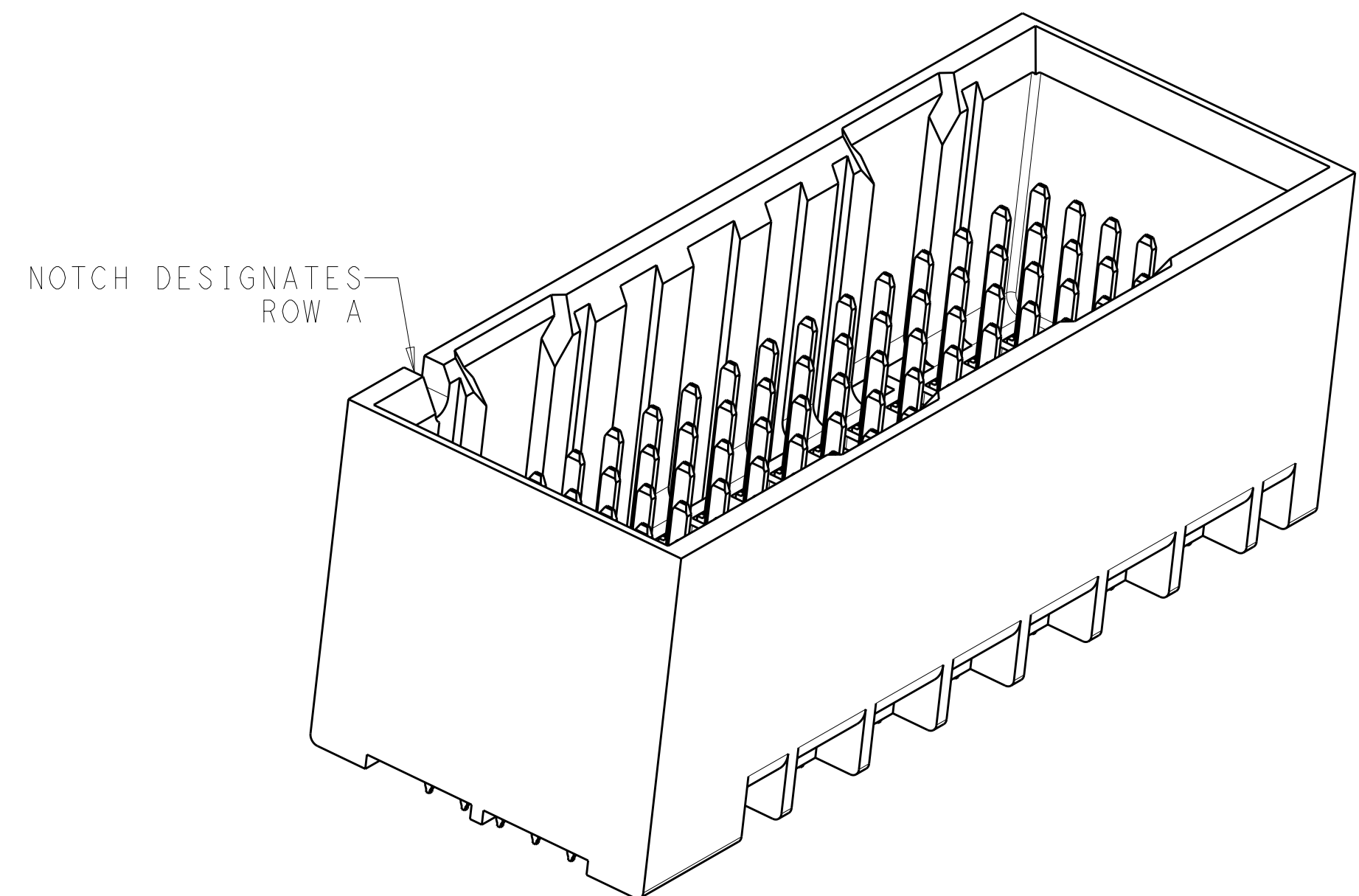


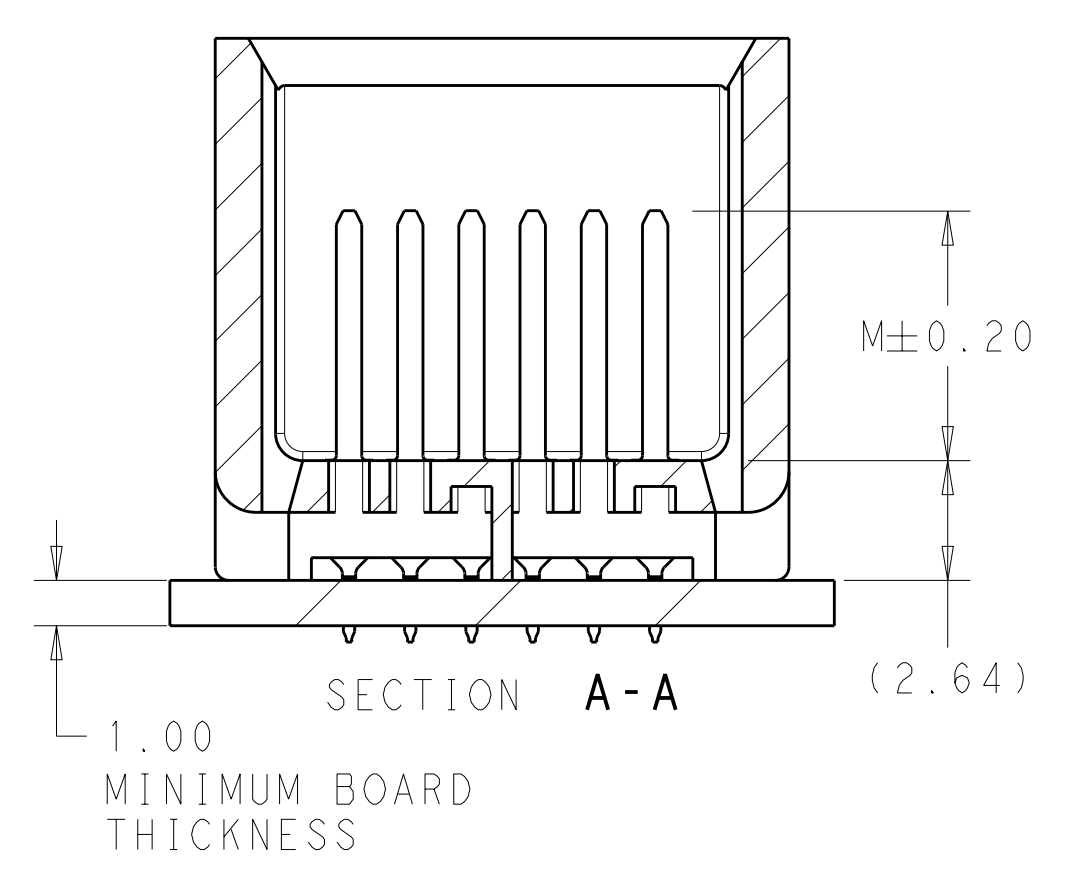
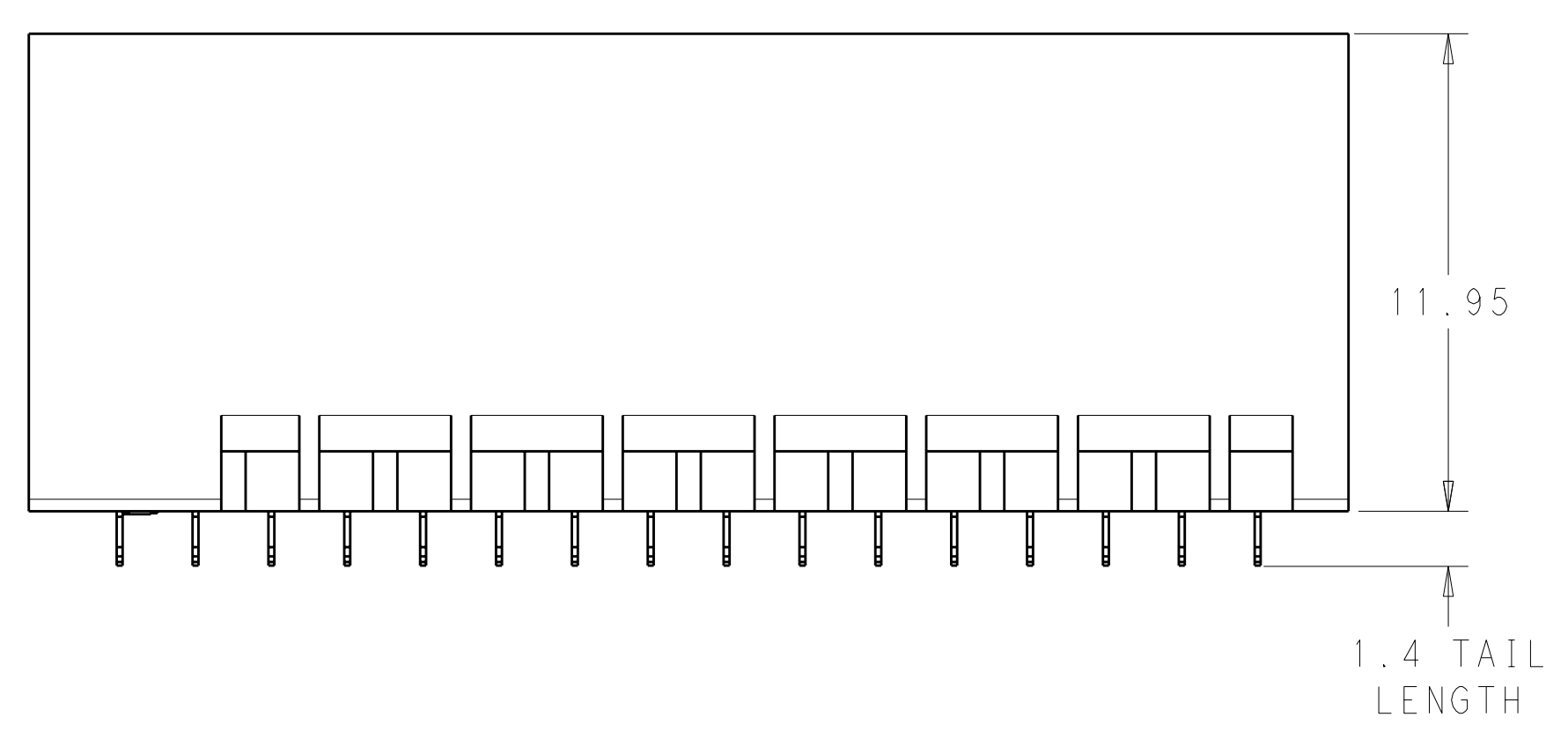
| LOC |    | DIST |     | REVISIONS                             |          |     |      |
|-----|----|------|-----|---------------------------------------|----------|-----|------|
| AD  | 00 | P    | LTB | DESCRIPTION                           | DATE     | DWN | APVD |
|     |    | A    |     | DRAWING CREATED BY AUTOMATION PROGRAM | 3NOV2011 | JKS | JE   |



- 1 MATERIAL:  
HOUSING: LCP, GLASS FILLED, UL94V-0.  
TERMINALS: HIGH PERFORMANCE COPPER ALLOY.
- 2 FINISH:  
30μ" MIN GOLD IN CONTACT AREA. SELECTIVE TIN  
ON PCB TAILS, NICKEL OVERALL.
- 3 FINISH:  
30μ" MIN GOLD IN CONTACT AREA. SELECTIVE TIN-LEAD  
ON PCB TAILS, NICKEL OVERALL.



UNGUIDED  
BACKPLANE HOLE PATTERN  
(CONNECTOR SIDE)




|   |           |  |   |
|---|-----------|--|---|
| THIS DRAWING IS A CONTROLLED DOCUMENT.  |           | DWN J. K. SHOBER 3NOV2011  | TE Connectivity                             |
| DIMENSIONS: mm  |           | CHK J. EBY 3NOV2011  |   |
| TOLERANCES UNLESS OTHERWISE SPECIFIED:  |           | APVD J. EBY 3NOV2011   |   |
| 0 PLC ±<br>1 PLC ±0.25<br>2 PLC ±0.13<br>3 PLC ±<br>4 PLC ±<br>ANGLES ±<br>FINISH SEE TABLE |           | NAME IMPACT, 2 PAIR, 16 COLUMN, HEADER<br>UNGUIDED, DUAL END WALL<br>SIGNAL MODULE, 0.36 PTH |   |
| MATERIAL  | SEE TABLE | PRODUCT SPEC   | RESTRICTED TO                               |
| CUSTOMER DRAWING  |           | APPLICATION SPEC   | SIZE CAGE CODE DRAWING NO. A100779C=2057750 |
| SCALE 6:1   |           | WEIGHT   | SHEET 1 OF 2                                |
| REV A   |           | DATE   | REV A                                       |

THIS DRAWING IS UNPUBLISHED. RELEASED FOR PUBLICATION 20  
 © COPYRIGHT 20 . . . ALL RIGHTS RESERVED.

| LOC | DIST | REVISIONS |     |             |     |      |
|-----|------|-----------|-----|-------------|-----|------|
| AD  | 00   | P         | LTB | DATE        | DWN | APVD |
|     |      | -         | -   | SEE SHEET 1 | -   | -    |
|     |      |           |     |             |     |      |
|     |      |           |     |             |     |      |

| FINISH | DIM M | PART NUMBER |
|--------|-------|-------------|
| △3     | 5.5   | 2057750-6   |
| △3     | 4.9   | 2057750-5   |
| △3     | 4.5   | 2057750-4   |
| △2     | 5.5   | 2057750-3   |
| △2     | 4.9   | 2057750-2   |
| △2     | 4.5   | 2057750-1   |

REFER TO WWW.TE.COM  
FOR PRODUCT AVAILABILITY

|  |  |                           |   |
|--|--|---------------------------|---|
| THIS DRAWING IS A CONTROLLED DOCUMENT. |  | DWN J. K. SHOBER 3NOV2011 |  TE Connectivity |
| DIMENSIONS: mm                         |  | CHK J. EARY 3NOV2011      |   |
| TOLERANCES UNLESS OTHERWISE SPECIFIED: |  | APVD J. EARY 3NOV2011     | NAME IMPACT, 2 PAIR, 16 COLUMN, HEADER  |
| 9 PLC ±                                |  | PRODUCT SPEC              | UNGUIDED, DUAL END WALL   |
| 1 PLC ±0.25                            |  | APPLICATION SPEC          | SIGNAL MODULE, 0.36 PTH   |
| 2 PLC ±0.13                            |  | WEIGHT                    | SIZE CAGE CODE DRAWING NO RESTRICTED TO   |
| 3 PLC ±                                |  | CUSTOMER DRAWING          | A100779C=2057750  |
| 4 PLC ±                                |  | SCALE 5:1                 | SHEET 2 OF 2  |
| ANGLES ±                               |  | REV A                     |   |
| FINISH SEE TABLE                       |  |                           |   |

单击下面可查看定价，库存，交付和生命周期等信息

[>>TE Connectivity\(泰科\)](#)