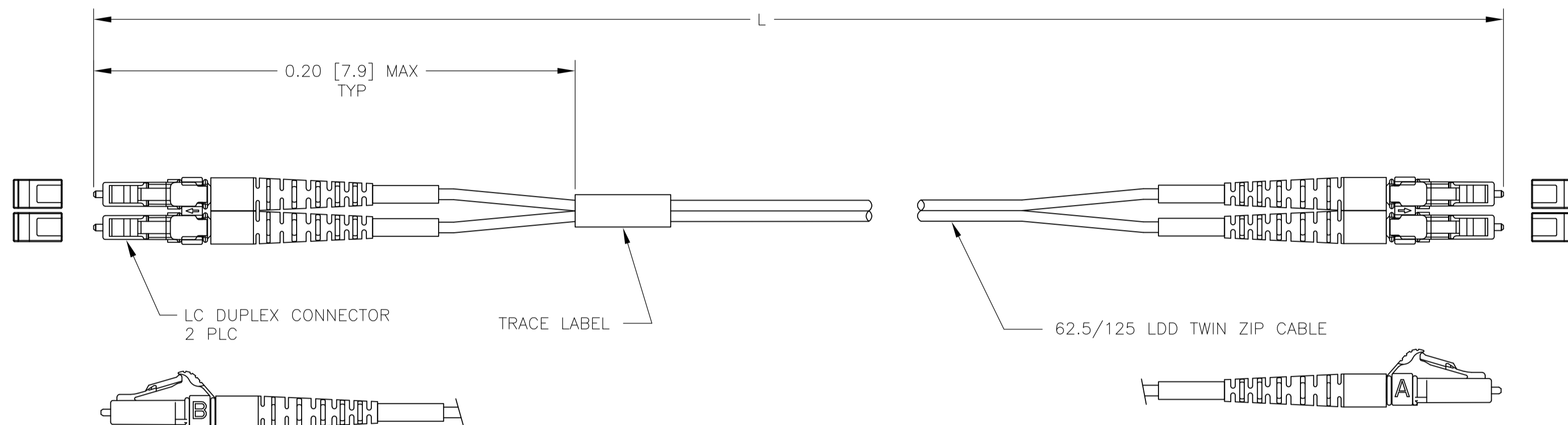


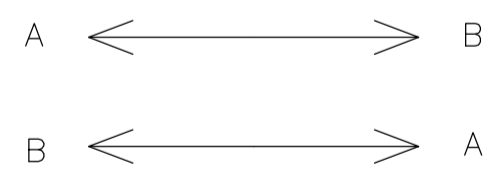
THIS DRAWING IS UNPUBLISHED. RELEASED FOR PUBLICATION
 ALL RIGHTS RESERVED.

LOC	DIST	REVISIONS			
P	LTR	DESCRIPTION	DATE	DWN	APVD
CE	16	E	ECR-14-019320	02MAR2015	BB JO

- 1 MAXIMUM INSERTION LOSS IS 0.2 dB PLUS CABLE ATTENUATION OF 1.5 dB/km AT 1300nm. (SEE TABLE)
2. DIMENSIONS IN [] ARE IN INCHES.
3. PRODUCT AND PROCESSING MUST MEET REQUIREMENTS OF TEC-138-702



0.20	3.50±0.05	[137.8±2.0]	9-6374659-3
0.28	50.00±0.50	[1968.50±19.68]	5-6374659-0
0.65	300.00±3.00	[11811.0±118.0]	9-6374659-9
0.35	100.00±1.00	[3937.0±39.0]	9-6374659-8
0.20	0.50±0.03	[19.68±1.18]	9-6374659-7
0.25	36.00±0.36	[1417.3±14.2]	9-6374659-2
0.24	27.00±0.30	[1063.0±12.0]	9-6374659-1
0.25	30.00±0.30	[1181.1±12.0]	3-6374659-0
0.24	25.00±0.30	[984.0±12.0]	2-6374659-5
0.23	20.00±0.30	[787.0±12.0]	2-6374659-0
0.22	15.00±0.15	[590.6±6.0]	1-6374659-5
0.22	12.00±0.15	[472.4±6.0]	1-6374659-2
0.21	10.00±0.15	[393.7±6.0]	1-6374659-0
0.21	8.00±0.15	[315.0±6.0]	6374659-8
0.31	76.2±0.76	[3000.0±30.0]	6374659-7
0.20	1.50±0.05	[59.5±2.0]	6374659-6
0.20	5.00±0.08	[196.9±3.0]	6374659-5
0.20	3.00±0.05	[118.1±2.0]	6374659-3
0.20	2.00±0.05	[78.7±2.0]	6374659-2
0.20	1.00±0.05	[39.4±2.0]	6374659-1
1 MAX IL (dB)	L		PART NUMBER



THIS DRAWING IS A CONTROLLED DOCUMENT.		DWN C.S.VASU 22AUG05	TE Connectivity																						
DIMENSIONS: METERS [INCHES]		CHK J.DUNCAN 22AUG05																							
TOLERANCES UNLESS OTHERWISE SPECIFIED:		APVD J.DUNCAN 22AUG05	NAME CABLE ASSY, FIBER OPTIC, 62.5/125um LDD ZIP, LC DUPLEX																						
<table border="1"> <tr><td>0 PLC</td><td>±</td><td>-</td></tr> <tr><td>1 PLC</td><td>±</td><td>-</td></tr> <tr><td>2 PLC</td><td>±</td><td>-</td></tr> <tr><td>3 PLC</td><td>±</td><td>-</td></tr> <tr><td>4 PLC</td><td>±</td><td>-</td></tr> <tr><td>ANGLES</td><td>±</td><td>-</td></tr> <tr><td>FINISH</td><td>-</td><td>-</td></tr> </table>		0 PLC	±	-	1 PLC	±	-	2 PLC	±	-	3 PLC	±	-	4 PLC	±	-	ANGLES	±	-	FINISH	-	-	PRODUCT SPEC APPLICATION SPEC	RESTRICTED TO	
0 PLC	±	-																							
1 PLC	±	-																							
2 PLC	±	-																							
3 PLC	±	-																							
4 PLC	±	-																							
ANGLES	±	-																							
FINISH	-	-																							
MATERIAL		WEIGHT	SIZE A2	CAGE CODE 00779																					
		CUSTOMER DRAWING	DRAWING NO 6374659	REV E																					
		SCALE NTS	SHEET 1 of 1																						

单击下面可查看定价，库存，交付和生命周期等信息

[>>TE Connectivity\(泰科\)](#)