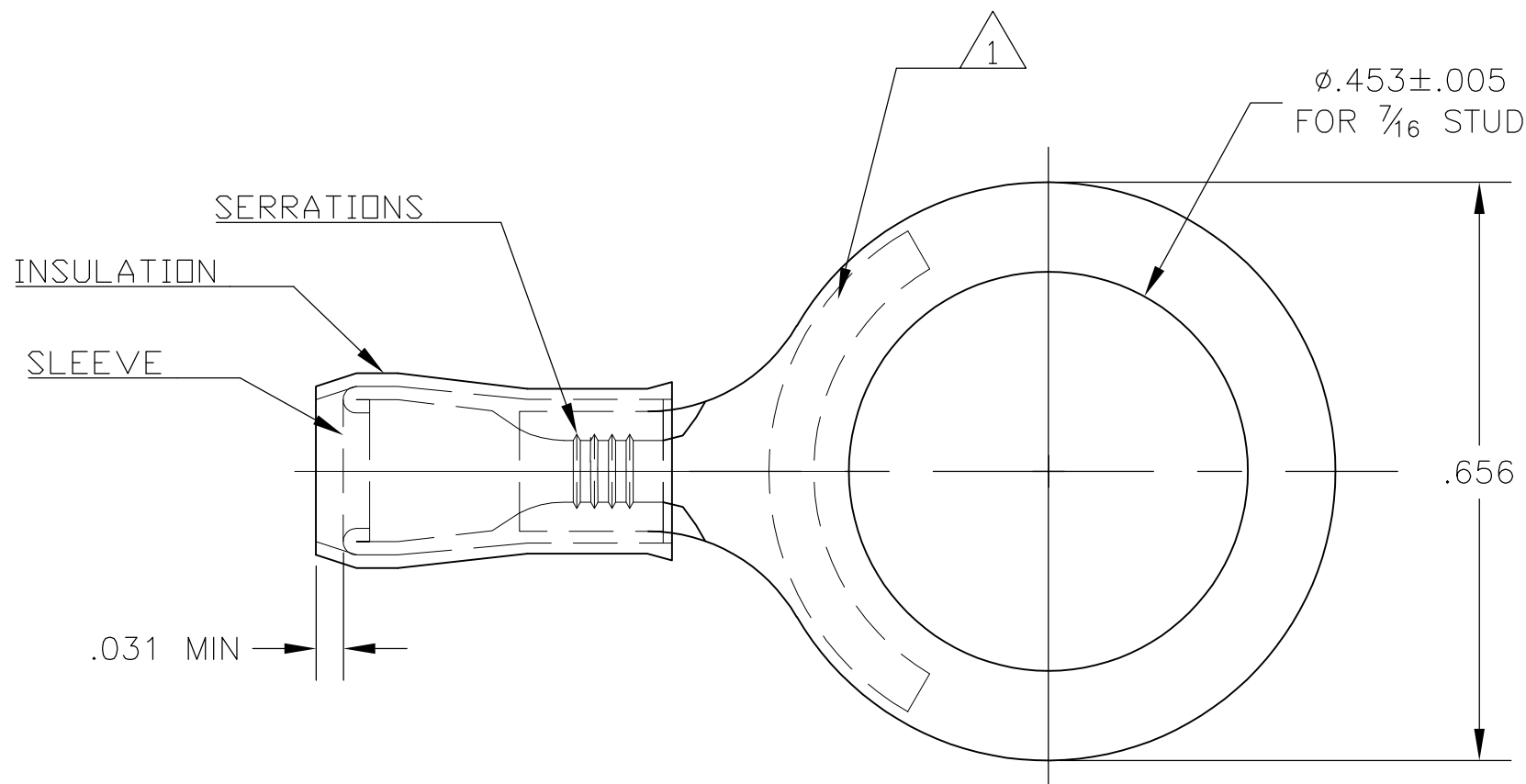
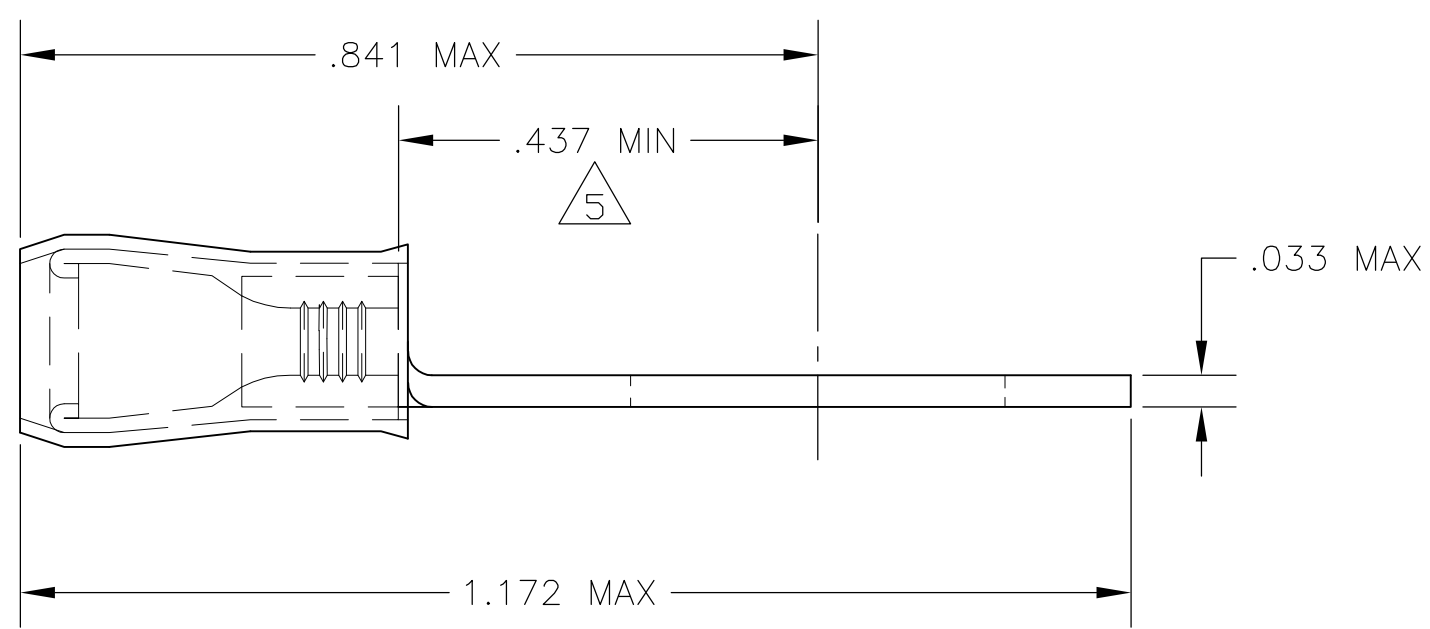


THIS DRAWING IS UNPUBLISHED. RELEASED FOR PUBLICATION  
 © COPYRIGHT BY TYCO ELECTRONICS CORPORATION. ALL INTERNATIONAL RIGHTS RESERVED.

LOC	DIST	REVISIONS			
P	LTR	DESCRIPTION	DATE	DWN	APVD
G	02				
	A1	REV PER ECR 10-004261	25FEB10	JR	TM



- 1 STAMP "AMP 22-18", LOCATED APPROX AS SHOWN ON BOTTOM OF PART.
- 2 FOR INSULATION DIA OF .105 TO .140
- 3 MATERIAL  
 BODY: COPPER PER ASTM B-152 ANNEALED  
 SLEEVE: COPPER PER ASTM B-152  
 INSULATION: NYLON
- 4 FINISH  
 BODY: TIN PLATE PER ASTM B-545  
 SLEEVE: TIN PL PER ASTM B-545  
 INSULATION - COLOR-RED
- 5 APPLIES FROM EDGE OF METAL WIRE BARREL TO CENTER OF STUD HOLE.



150072-1  
 PART NO

THIS DRAWING IS A CONTROLLED DOCUMENT.		DWN jr_ruth 25FEB10	Tyco Electronics Corporation Harrisburg, PA 17105-3608		
DIMENSIONS: INCHES		CHK TOM MICHIELUTTI 25FEB10	NAME WIRE TERMINAL, RING TONGUE, PIDG, WIRE SIZE: 22-18		
TOLERANCES UNLESS OTHERWISE SPECIFIED:		APVD TOM MICHIELUTTI 25FEB10	PRODUCT SPEC -		
0 PLC ± - 1 PLC ± - 2 PLC ± - 3 PLC ± .008 4 PLC ± - ANGLES ± 5°		APPLICATION SPEC -		RESTRICTED TO -	
MATERIAL - 3		WEIGHT -		SIZE A3	CAGE CODE 00779
FINISH - 4		CUSTOMER DRAWING		DRAWING NO G-150072-1	RESTRICTED TO -
SCALE 6:1			SHEET 1 OF 1	REV A1	

单击下面可查看定价，库存，交付和生命周期等信息

[>>TE Connectivity\(泰科\)](#)