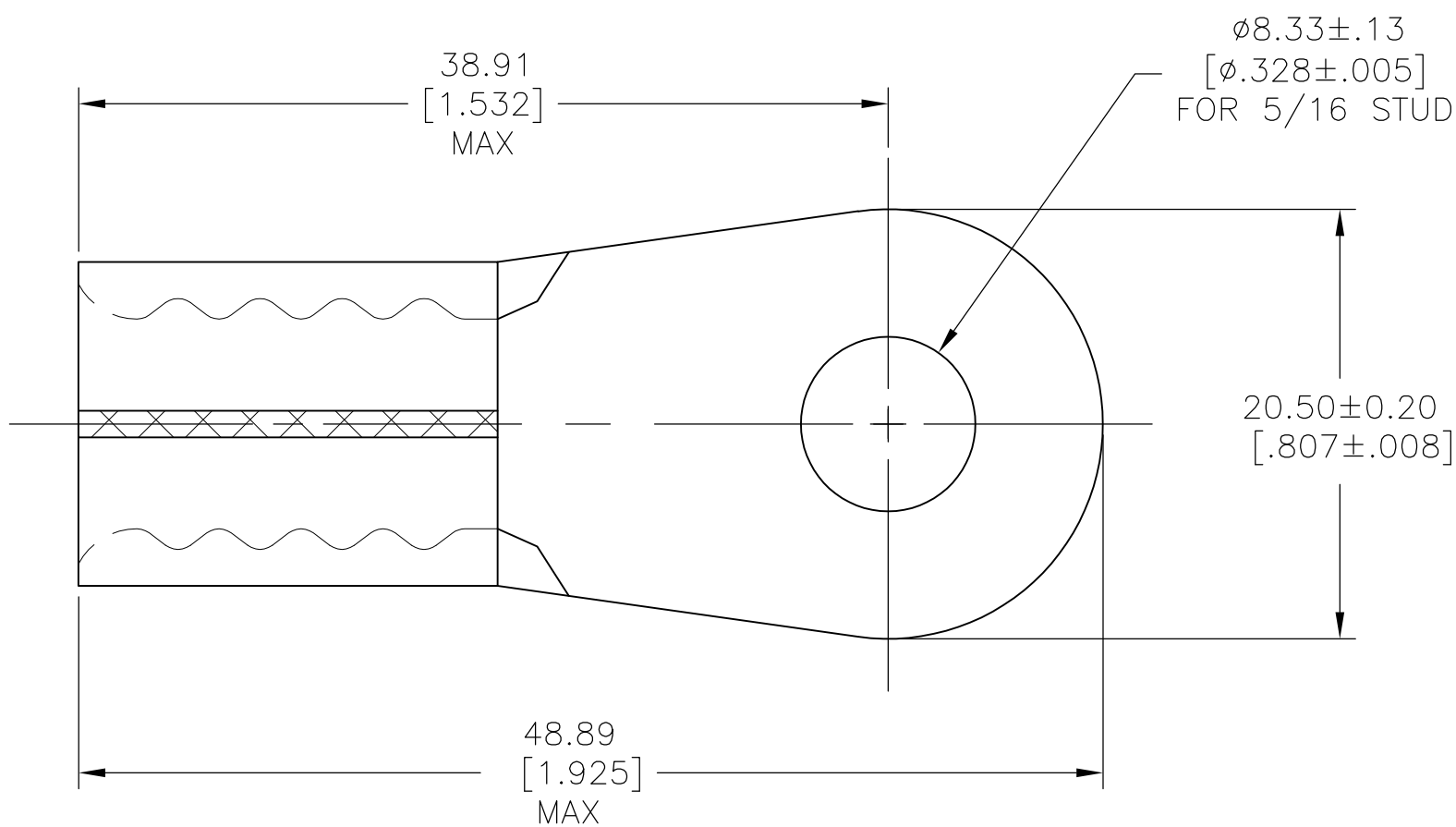


THIS DRAWING IS UNPUBLISHED. RELEASED FOR PUBLICATION  
 © COPYRIGHT - By - ALL RIGHTS RESERVED.

| LOC | DIST | REVISIONS   |                           |         |       |
|-----|------|-------------|---------------------------|---------|-------|
| P   | LTR  | DESCRIPTION | DATE                      | DWN     | APVD  |
| G   | 86   | A1          | REVISED PER ECO-11-024755 | 13DEC11 | KH DR |



- 1 WIRE RANGE IS FOR 1/0 AWG STANDARD. WIRE CROSS SECTIONAL AREA RANGE: 83,700-119,500 CMA, STRANDED WIRE
- 2 THE TONGUE THK IS  $1.77 \pm 0.076$  [ $.070 \pm 0.003$ ]
- 3 RECOMMENDED OPERATING TEMP  $-55^{\circ}\text{C}$  TO  $+200^{\circ}\text{C}$  FOR HEAT SHRINK TUBING

|    |             |  |
|----|-------------|--|
| 1  | 1-1196717-9 | HIGH AND LOW TEMPERTURE CROSS LINKED FLOUROPOLYMER HEAT SHRINK TUBING<br>15.875 [.625] MIN ID X $44.45 \pm 3.05$ [ $1.75 \pm 0.12$ ]<br>RT555-5/8-0-SP |
| 1  | 321867-2    | TERMINAL BODY: COPPER PER ASTM B-152 ANNEALED<br>FINISH: NICKEL PLATE .000300 MIN THK PER SAE AMS QQ-N-290   |
| -1 | PART NO     | DESCRIPTION  |

|   |      |                                 |                            |                    |     |       |     |       |     |       |     |        |      |                   |                             |  |
|---|------|---------------------------------|----------------------------|--------------------|-----|-------|-----|-------|-----|-------|-----|--------|------|-------------------|-----------------------------|--|
| THIS DRAWING IS A CONTROLLED DOCUMENT.  |      | DWN<br>JR RUTH<br>08DEC09       | <b>STE</b> TE Connectivity |                    |     |       |     |       |     |       |     |        |      |                   |                             |  |
| DIMENSIONS:<br>mm [INCHES]  |      | CHK<br>T MICHELUTTI<br>08DEC09  |                            |                    |     |       |     |       |     |       |     |        |      |                   |                             |  |
| TOLERANCES UNLESS OTHERWISE SPECIFIED:  |      | APVD<br>T MICHELUTTI<br>08DEC09 | NAME                       |                    |     |       |     |       |     |       |     |        |      |                   |                             |  |
| <table border="0"> <tr><td>0 PLC</td><td>± -</td></tr> <tr><td>1 PLC</td><td>± -</td></tr> <tr><td>2 PLC</td><td>± -</td></tr> <tr><td>3 PLC</td><td>± -</td></tr> <tr><td>4 PLC</td><td>± -</td></tr> <tr><td>ANGLES</td><td>± 1°</td></tr> </table> |      | 0 PLC                           | ± -                        | 1 PLC              | ± - | 2 PLC | ± - | 3 PLC | ± - | 4 PLC | ± - | ANGLES | ± 1° | PRODUCT SPEC<br>- | HEAT RESISTANT TERMINAL KIT |  |
| 0 PLC   | ± -  |                                 |                            |                    |     |       |     |       |     |       |     |        |      |                   |                             |  |
| 1 PLC   | ± -  |                                 |                            |                    |     |       |     |       |     |       |     |        |      |                   |                             |  |
| 2 PLC   | ± -  |                                 |                            |                    |     |       |     |       |     |       |     |        |      |                   |                             |  |
| 3 PLC   | ± -  |                                 |                            |                    |     |       |     |       |     |       |     |        |      |                   |                             |  |
| 4 PLC   | ± -  |                                 |                            |                    |     |       |     |       |     |       |     |        |      |                   |                             |  |
| ANGLES  | ± 1° |                                 |                            |                    |     |       |     |       |     |       |     |        |      |                   |                             |  |
| MATERIAL<br>-   |      | FINISH<br>-                     | APPLICATION SPEC<br>-      | RESTRICTED TO<br>- |     |       |     |       |     |       |     |        |      |                   |                             |  |
|   |      | WEIGHT<br>-                     | SIZE<br>A3                 | CAGE CODE<br>00779 |     |       |     |       |     |       |     |        |      |                   |                             |  |
|   |      | DRAWING NO<br>C-696646          |                            | RESTRICTED TO<br>- |     |       |     |       |     |       |     |        |      |                   |                             |  |
|   |      | CUSTOMER DRAWING                |                            | SCALE<br>3:1       |     |       |     |       |     |       |     |        |      |                   |                             |  |
|   |      | SHEET<br>1 OF 1                 |                            | REV<br>A1          |     |       |     |       |     |       |     |        |      |                   |                             |  |

单击下面可查看定价，库存，交付和生命周期等信息

[>>TE Connectivity\(泰科\)](#)