

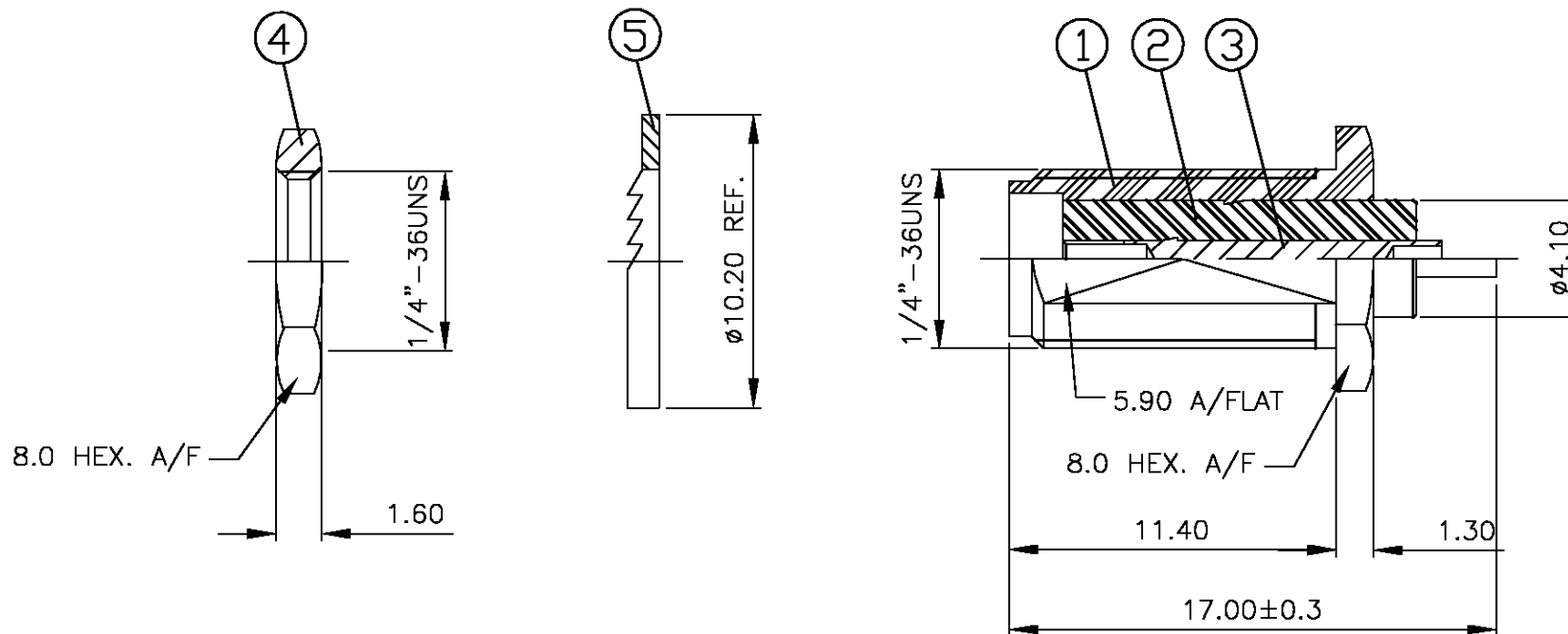
THIS DRAWING IS UNPUBLISHED. RELEASED FOR PUBLICATION APRIL, 2004.

© COPYRIGHT 2004 BY TYCO ELECTRONICS CORPORATION. ALL RIGHTS RESERVED.

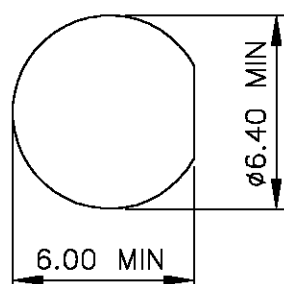
LOC	DIST	REVISIONS			
P	LTR	DESCRIPTION	DATE	DWN	APVD
E	B	A	EBD0-0035-03	12FEB04	RS FWK

NOTES:

- ① SINGLE PACK IN ACCORDANCE WITH SPEC 107-3275
- ② 100 TRAY PACK IN ACCORDANCE WITH SPEC 107-3275
- ③ 0.08μm Au PLATING OVER 1.27μm Ni PLATING
- ④ 0.08μm Au PLATING OVER 1.27μm Ni PLATING OVER 0.76μm Cu PLATING
- ⑤ 0.76μm Au PLATING OVER 1.27μm Ni PLATING OVER 0.76μm Cu PLATING
- ⑥ PASSIVATED
- ⑦ WHITE BRONZE PLATING
- ⑧ PLATING AS PER BODY, EXCEPT FOR PASSIVATED WHICH IS NICKEL PLATED
- 9 FOR TECHNICAL DATA REFER TO YOUR LOCAL TYCO ELECTRONICS SALES OFFICE
- 10 ALL DIMENSIONS ARE NOMINAL FOR REFERENCE ONLY UNLESS OTHERWISE STATED



RECOMMENDED MOUNTING HOLE DIM'S



QTY	QTY	QTY	QTY	QTY	QTY	QTY	QTY	MATERIAL	DESCRIPTION	ITEM
1	1	1	1	1	1	1	1	STAINLESS STEEL	⑧ WASHER	5
1	1	-	-	-	-	-	-	BRASS	⑦ NUT	4
-	-	1	1	-	-	-	-	BRASS	④ NUT	4
-	-	-	-	1	1	1	1	STAINLESS STEEL	⑧ NUT	4
1	1	1	1	1	1	1	1	BERYLLIUM COPPER	⑤ CENTER SOCKET	3
1	1	1	1	1	1	1	1	PTFE	INSULATOR	2
1	1	-	-	-	-	-	-	BRASS	⑦ BODY	1
-	-	1	1	-	-	-	-	BRASS	④ BODY	1
-	-	-	-	1	1	-	-	STAINLESS STEEL	⑥ BODY	1
-	-	-	-	-	-	1	1	STAINLESS STEEL	③ BODY	1
4--1	4--0	3--1	3--0	2--1	2--0	1--1	1--0	MATERIAL	DESCRIPTION	ITEM
②	①	②	①	②	①	②	①			

THIS DRAWING IS A CONTROLLED DOCUMENT.		DWN R.SMITH 12FEB04	Tyco Electronics Corporation Bideford, UK, EX39 4HE	
DIMENSIONS: mm		CHK S.PARLOW 12FEB04		
TOLERANCES UNLESS OTHERWISE SPECIFIED:		APVD F.WHEELER-KING 12FEB04	NAME SMA BULKHEAD SOCKET RECEPTACLE REAR MOUNT SOLDER SPILL	
0 PLC ± - 1 PLC ± - 2 PLC ± - 3 PLC ± - 4 PLC ± - ANGLES ± - FINISH -		PRODUCT SPEC 108-3460	RESTRICTED TO	
MATERIAL SEE TABLE		APPLICATION SPEC 411-3276	SIZE A3	CAGE CODE 00779
		WEIGHT -	DRAWING NO C-1478966	REV A
		CUSTOMER DRAWING	SCALE 1:1	SHEET 1 OF 1

单击下面可查看定价，库存，交付和生命周期等信息

[>>TE Connectivity\(泰科\)](#)