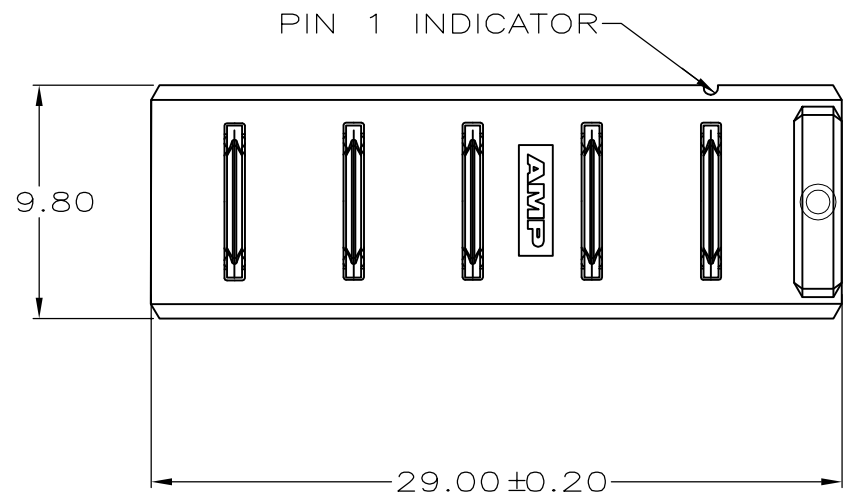


LOC ES DIST 00

REVISIONS

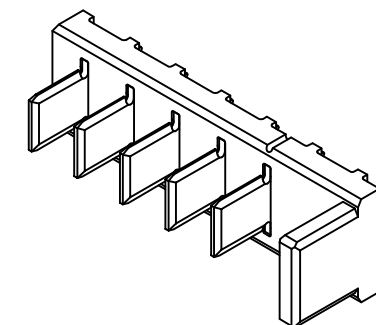
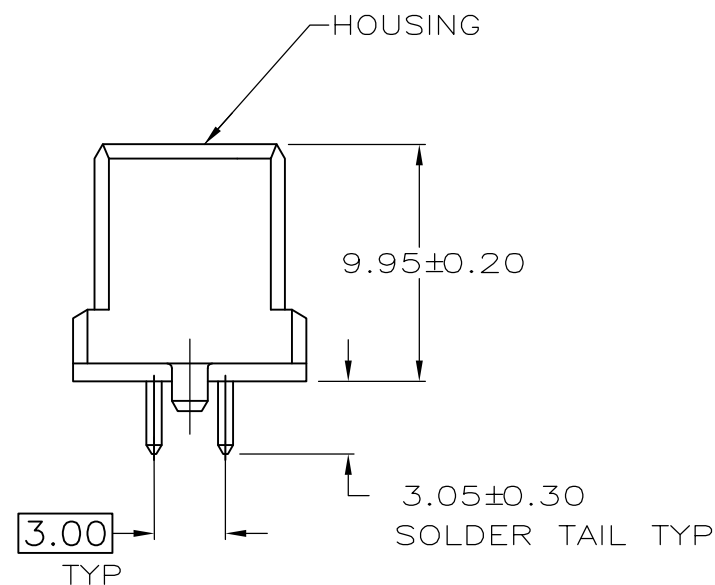
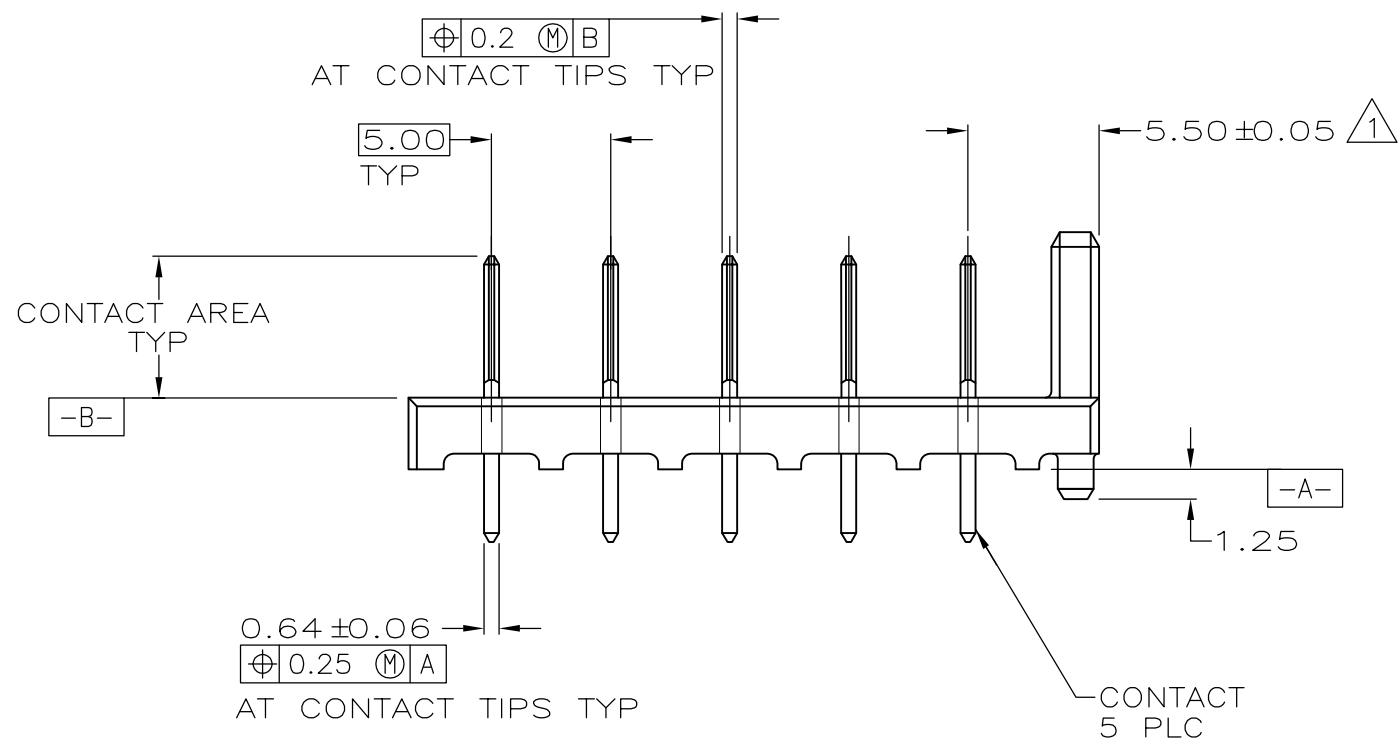
P	LTR	DESCRIPTION	DATE	DWN	APVD
	A	REVISED PER ECR-08-013882	02JUN2008	A.S	S.Y

D

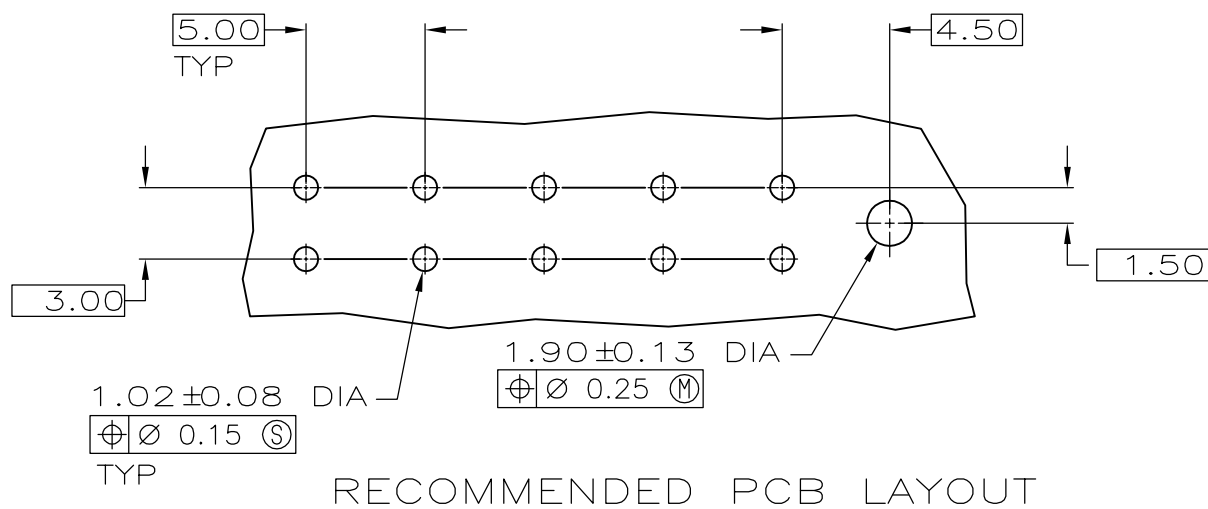


- ① COORDINATE DIMENSION APPLIES FROM CENTER OF ACTUAL FEATURE.
- ② HOUSING: POLYPHTHALAMIDE
- ③ CONTACTS: BRASS
- ④ 2.54 μm MIN TIN ON SOLDER TAIL OVER 1.90 μm MIN NICKEL.

C



B



5787334-1 PART NO.

THIS DRAWING IS A CONTROLLED DOCUMENT.		DWN WENKE HE 19APR05	Tyco Electronics Corporation Shanghai P.R.CHINA	
DIMENSIONS: mm		CHK STEVEN YAO 19APR05	NAME	
TOLERANCES UNLESS OTHERWISE SPECIFIED:		APVD -	HEADER ASSEMBLY, VERTICAL, 5 POS, SINGLE KEY STRAIGHT SOLDER TAIL, BATTERY INTERCONNECT, 7.2 VOLT	
0 PLC ± -		PRODUCT SPEC -	SIZE	
1 PLC ± -		APPLICATION SPEC -	CAGE CODE	
2 PLC ± 0.10		WEIGHT -	DRAWING NO	
3 PLC ± -		A3 00779 C-5787334		
4 PLC ± -		RESTRICTED TO		
ANGLES ± -		CUSTOMER DRAWING		
MATERIAL ② - ③		SCALE 4:1		
FINISH ④ -		SHEET 1 OF 1		
		REV A		

单击下面可查看定价，库存，交付和生命周期等信息

[>>TE Connectivity\(泰科\)](#)