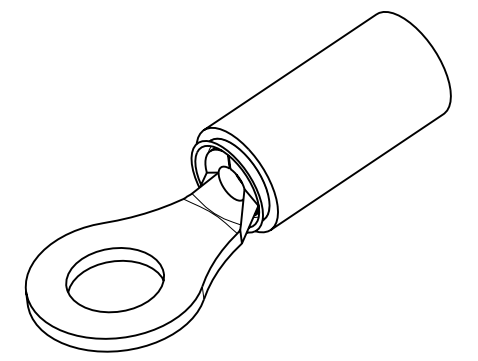
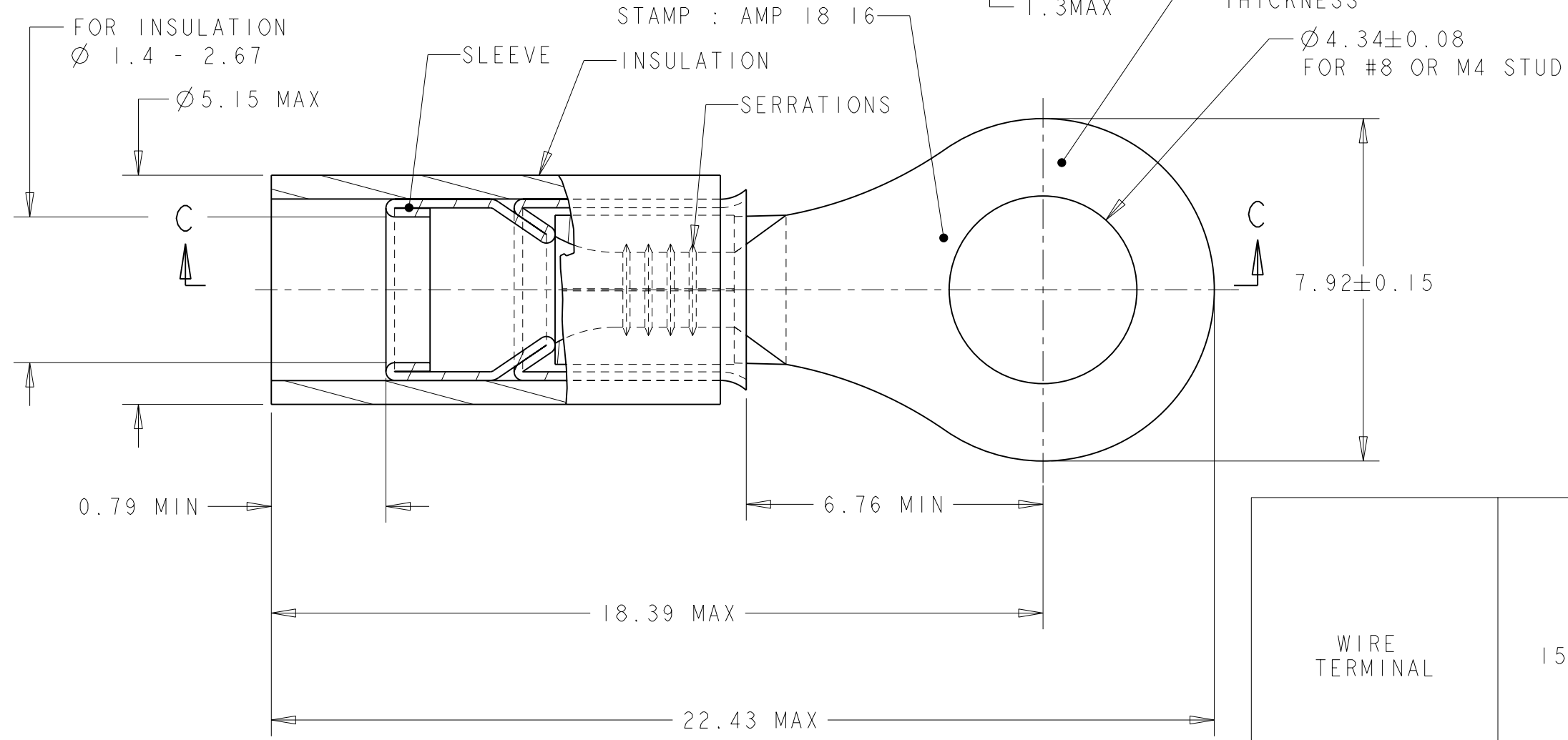
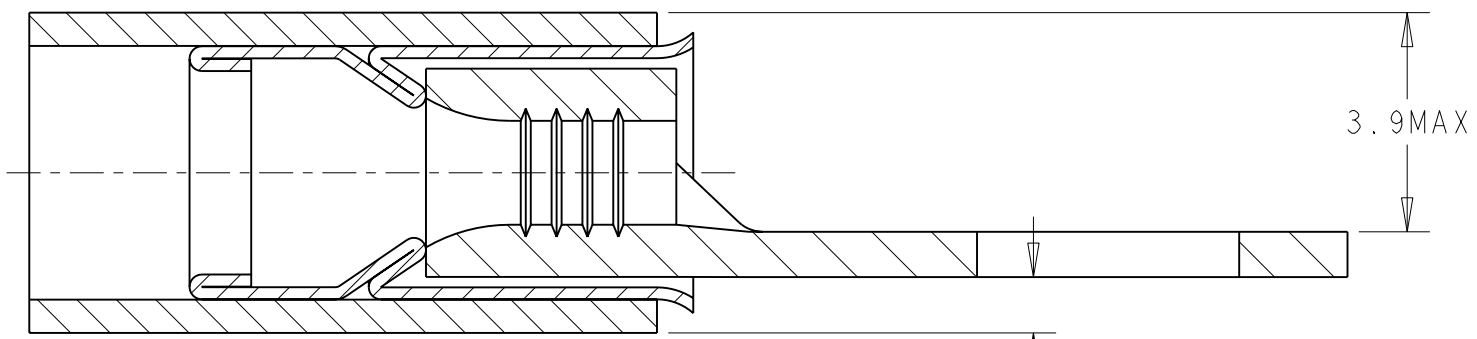


THIS DRAWING IS UNPUBLISHED. RELEASED FOR PUBLICATION 20
 © COPYRIGHT 20 BY TYCO ELECTRONICS CORPORATION. ALL RIGHTS RESERVED.

LOC	DIST	REVISIONS			
P	LTR	DESCRIPTION	DATE	DWN	APVD
F	00				
	B	6.76 MIN WAS 6.76 MAX	07FEB2007	GR	GR
	C	ECR 07-025006	26OCT2007	JT	GR

COUPE C-C



SCALE 3:1

WIRE TERMINAL	1577632-1	BODY : COPPER ANNEALED FINISH : NICKEL PLATED
		SLEEVE : COPPER ANNEALED FINISH : NICKEL PLATED
		INSULATION : PEEK COLOR : ORANGE
DESCRIPTION	PART NUMBER	MATERIAL & FINISH

<small>THIS DRAWING IS A CONTROLLED DOCUMENT FOR TYCO ELECTRONICS CORPORATION IT IS SUBJECT TO CHANGE AND THE CONTROLLING ENGINEERING ORGANIZATION SHOULD BE CONTACTED FOR THE LATEST REVISION.</small>		DWN	22FEB2006	 Tyco Electronics France SAS 95300 Pontoise, France			
DIMENSIONS: mm		CHK	22FEB2006				
TOLERANCES UNLESS OTHERWISE SPECIFIED: 0 PLC ±- 1 PLC ±0.3 2 PLC ±- 3 PLC ±- 4 PLC ±- ANGLES ±5		APVD	22FEB2006				
MATERIAL SEE TABLE		FINISH	SEE TABLE				
		PRODUCT SPEC	108-15356	NAME TERMINAL, PEEK PIDG STRATO, 18-16 AWG			
FINISH SEE TABLE		APPLICATION SPEC	114-15102				
MATERIAL SEE TABLE		WEIGHT	0,95 gr	SIZE	CAGE CODE	DRAWING NO	RESTRICTED TO
FINISH SEE TABLE		CUSTOMER DRAWING		A3	00779	©=1577632	-
				SCALE	8:1	SHEET	1 OF 1
						REV	C

单击下面可查看定价，库存，交付和生命周期等信息

[>>TE Connectivity\(泰科\)](#)