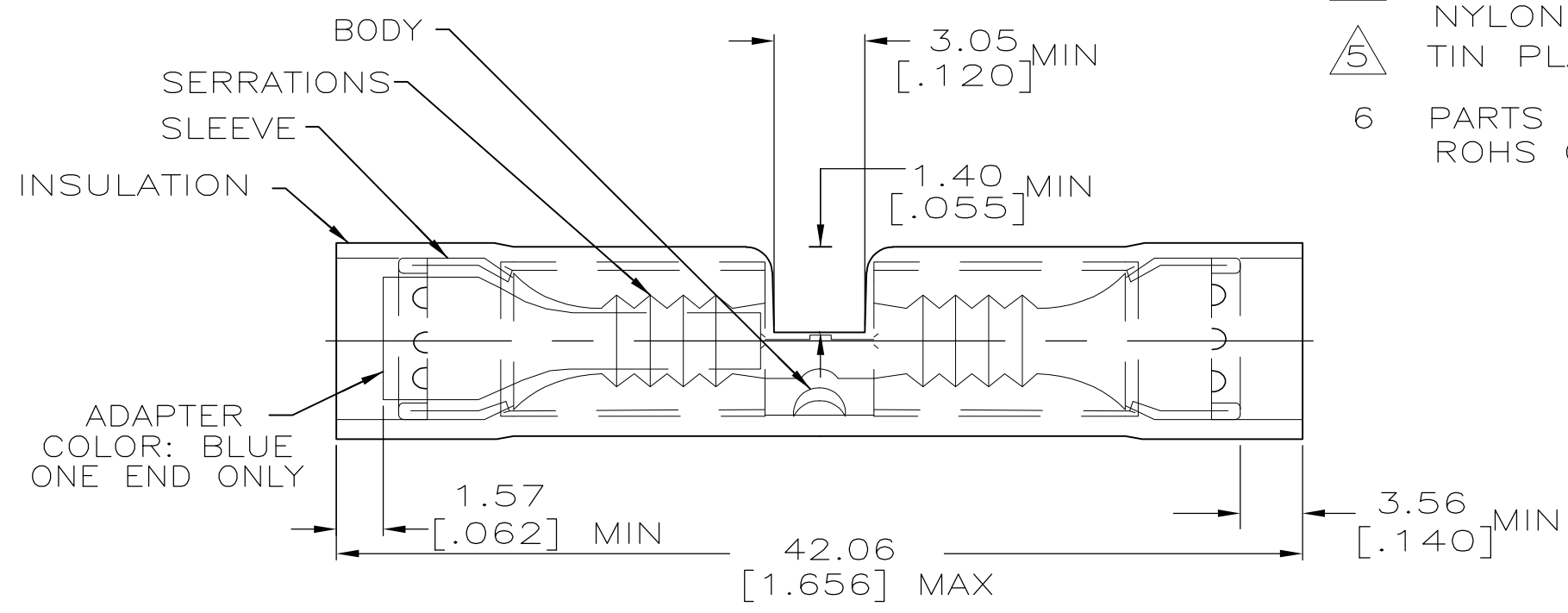


THIS DRAWING IS UNPUBLISHED. RELEASED FOR PUBLICATION
 © COPYRIGHT - By - ALL RIGHTS RESERVED.

LOC	DIST	REVISIONS			
P	LTR	DESCRIPTION	DATE	DWN	APVD
G	14	L1	REVISED PER ECO-11-004917	11MAR11	RK HMR

AMP WIRE RANGE	Listed FILE E13288	LR7189 Certified
12-10 TO 16-14 AWG STRANDED	12-10 TO 16-14 AWG STRANDED	12-10 TO 16-14 AWG STRANDED

1. WIRE INSULATION DIA 3.81[.150] TO 5.59[.220]
WIRE INSULATION DIA 2.67[.105] TO 4.32[.170]
2. TAPED PART LONG, CRIMP ONLY IN TAPETRONICS
3. TAPE APPLIED TO PART SUCH THAT ADAPTER END IS CRIMPED IN APPLICATOR.
4. COPPER PER ASTM B-152
NYLON, YELLOW
5. TIN PLATE PER ASTM B-545
6. PARTS MANUFACTURED AFTER MAY 2005 ARE ROHS COMPLIANT.



	1500	TAPE, REEL	2-327638-1
	50	LOOSE PIECE	327638
	QTY	PACKAGE TYPE	PART NO

AMP INCORPORATED CUSTOMER SERVICE SYSTEMS		MAX RECOMMENDED OPERATING TEMPERATURE: 105° C	THIS DRAWING IS A CONTROLLED DOCUMENT.		DWN JR RUTH 17DEC02	TE Connectivity			
FOR ADDITIONAL PRODUCT INFORMATION OR COPIES OF DRAWINGS AND TECHNICAL DOCUMENTS	PRODUCT INFORMATION CENTER 1-800-522-6752	VOLTAGE RATING: 300V MAX	DIMENSIONS: INCHES	TOLERANCES UNLESS OTHERWISE SPECIFIED:	CHK T MICHELUTTI 17DEC02				
FOR APPLICATION TOOLING INFORMATION	TOOLING ASSISTANCE CENTER 1-800-722-1111	CIRCULAR MIL AREA: 2.62-6.64mm ² [5,180-13,100] 1.04-2.62mm ² [2,050-5,180] STRANDED		0 PLC ± - 1 PLC ± - 2 PLC ± 0.20[.008] 3 PLC ± - 4 PLC ± - ANGLES ± -	APVD T MICHELUTTI 17DEC02	PRODUCT SPEC			
FOR ORDER ENTRY	1-800-526-5142	THIS DRAWING IS A CONTROLLED DOCUMENT FOR AMP INCORPORATED. IT IS SUBJECT TO CHANGE AND THE CONTROLLING ENGINEERING ORGANIZATION SHOULD BE CONTACTED FOR THE LATEST REVISION.	MATERIAL COPPER	FINISH TIN PLATE	APPLICATION SPEC	SIZE A3	CAGE CODE 00779	DRAWING NO C-327638	RESTRICTED TO
					WEIGHT -	CUSTOMER DRAWING			
					SCALE 1:1	SHEET 1 OF 1		REV L1	

单击下面可查看定价，库存，交付和生命周期等信息

[>>TE Connectivity\(泰科\)](#)