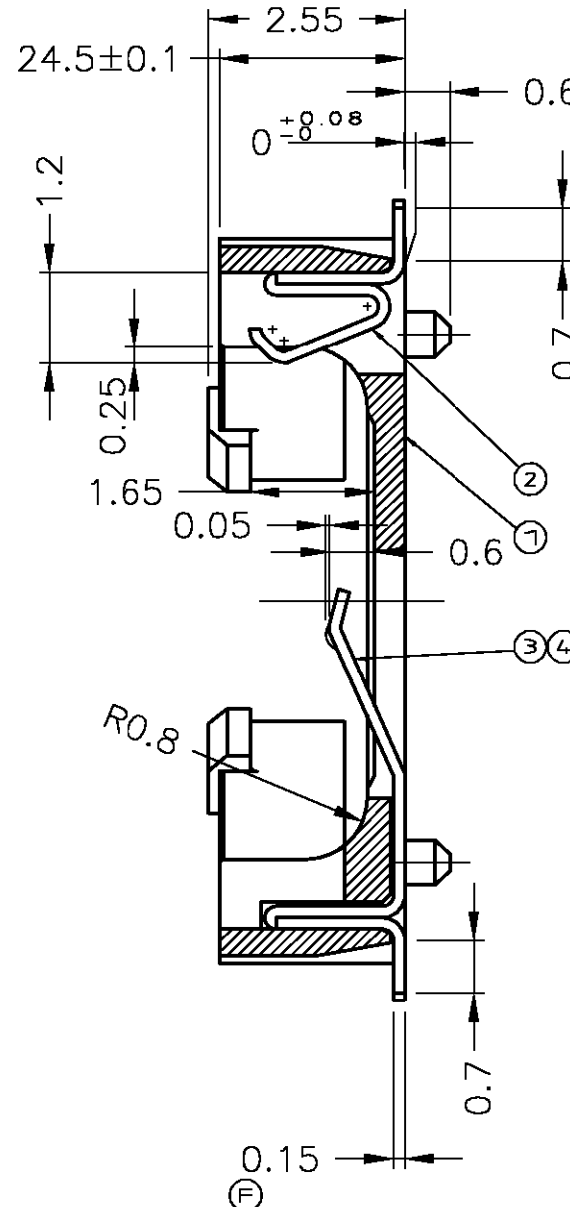
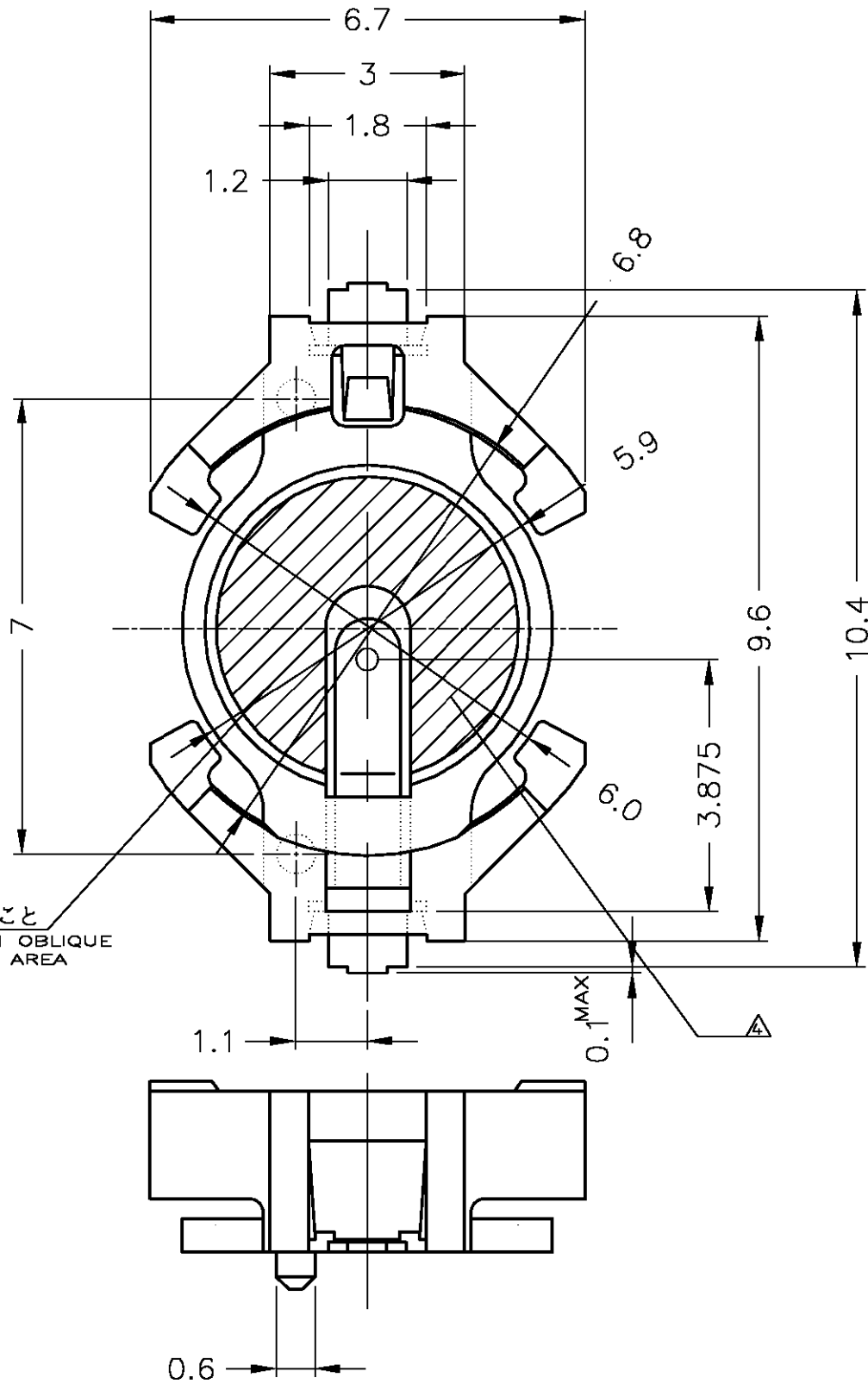


THIS DRAWING IS UNPUBLISHED. RELEASED FOR PUBLICATION  
 © COPYRIGHT BY TYCO ELECTRONICS CORPORATION. ALL RIGHTS RESERVED.

LOC	DIST	REVISIONS					
J	-	P	LTR	DESCRIPTION	DATE	DWN	APVD
		F		REVISED (FJ00-0442-01)	05MAR01	C.O	K.I



注記  
 △重量 0.075g  
 △仕上げ 全面0.5~1.0umのNiめっきの上に0.1~0.3umのPdNiめっき  
 その上に0.05~0.2umのAuめっきを施す  
 △コンタクト接触圧 + 300gfMIN  
 - 150gfMIN

NOTES  
 △NET WEIGHT;0.075g  
 △FINISH:ALL~OVER Ni PLATING 0.5~1.0um.  
 OVER NiPd:0.1~0.3um OVER Au:0.05~0.2um  
 3.CONTACT PRESSURE + 300gfMIN  
 - 150gfMIN

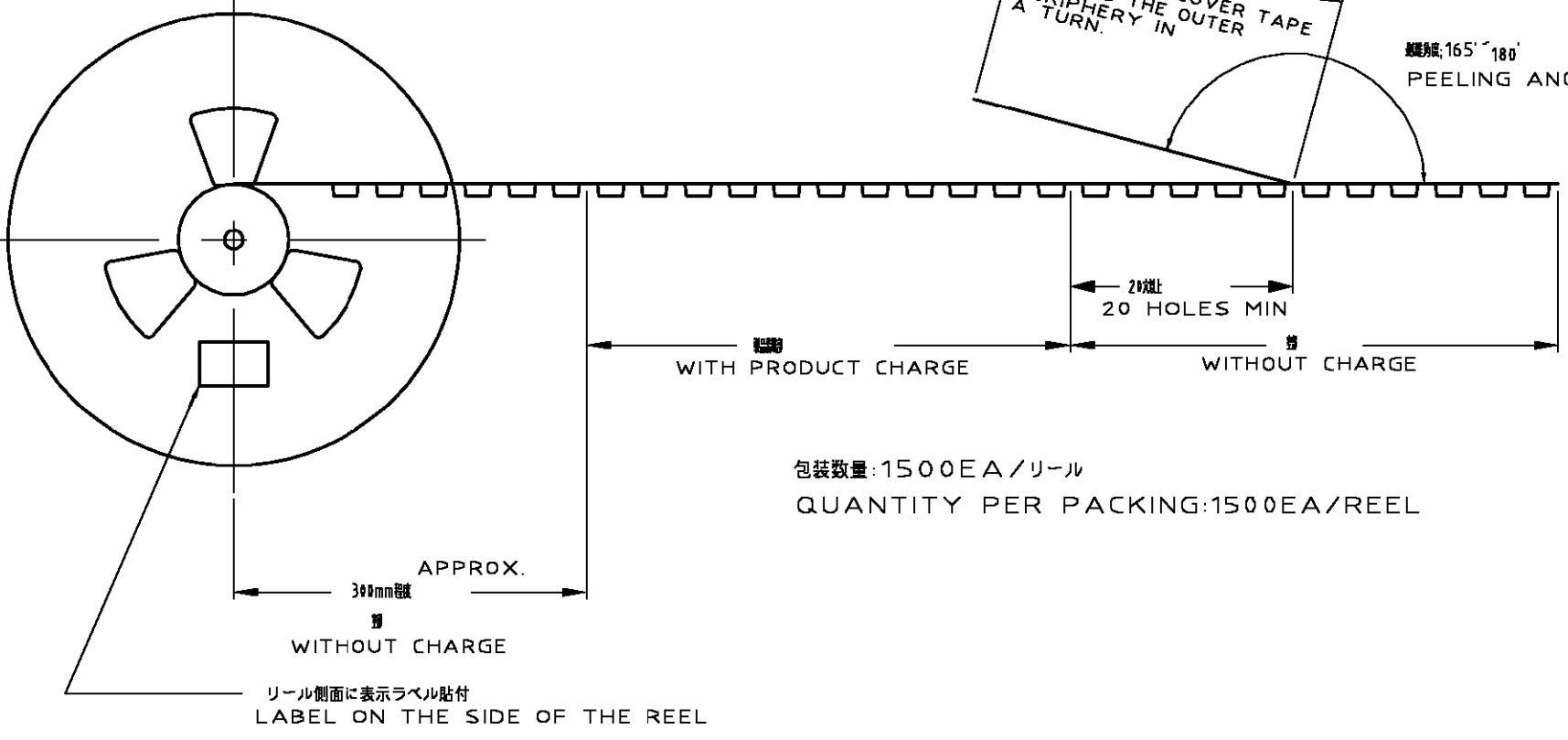
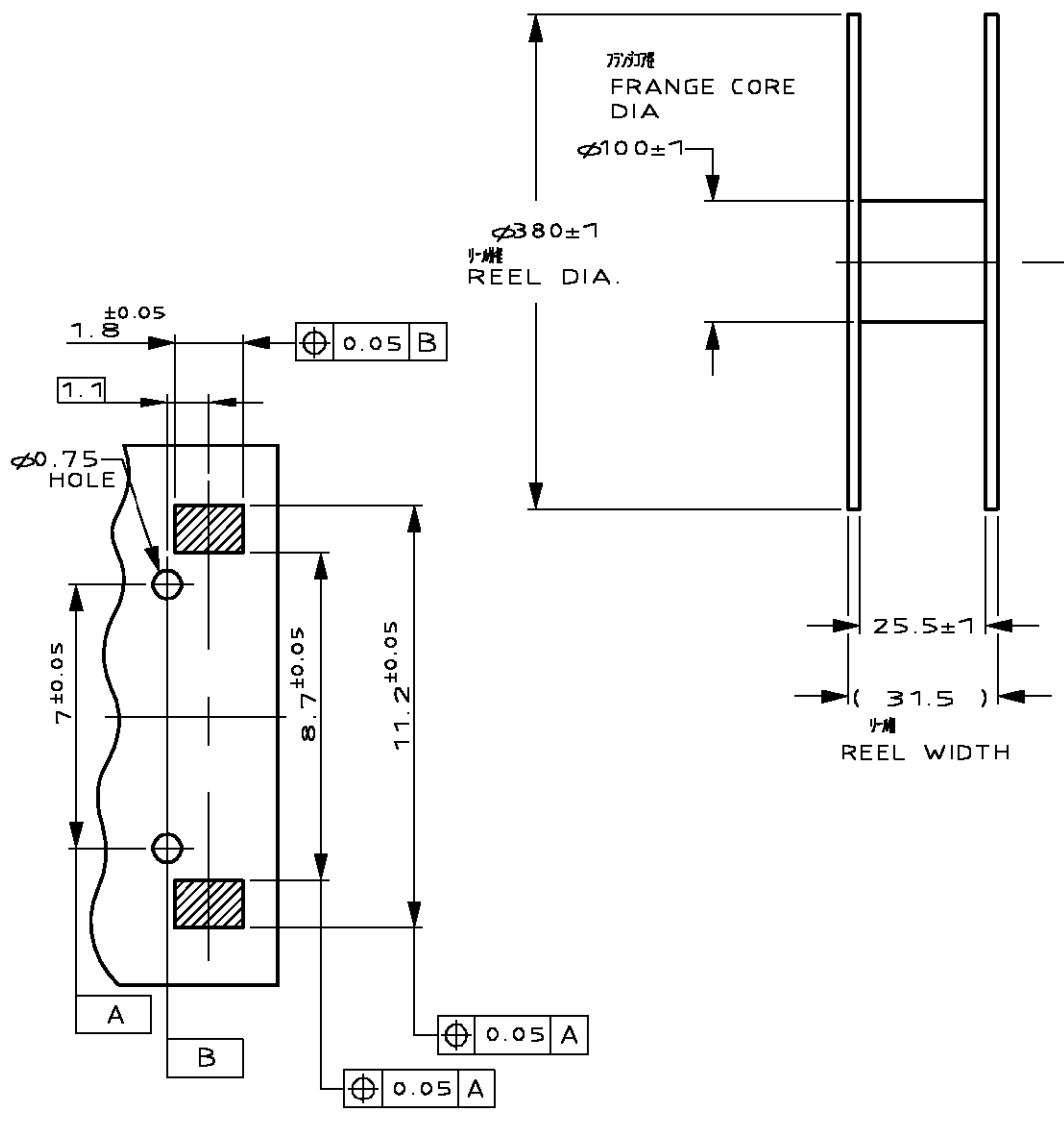
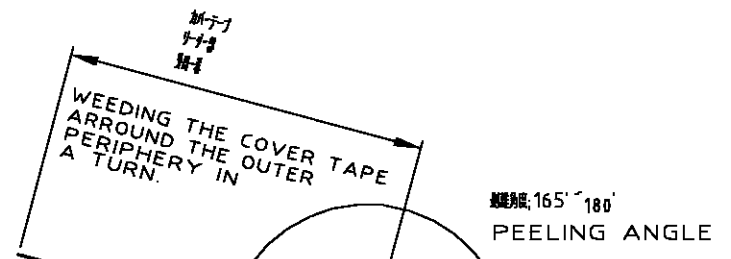
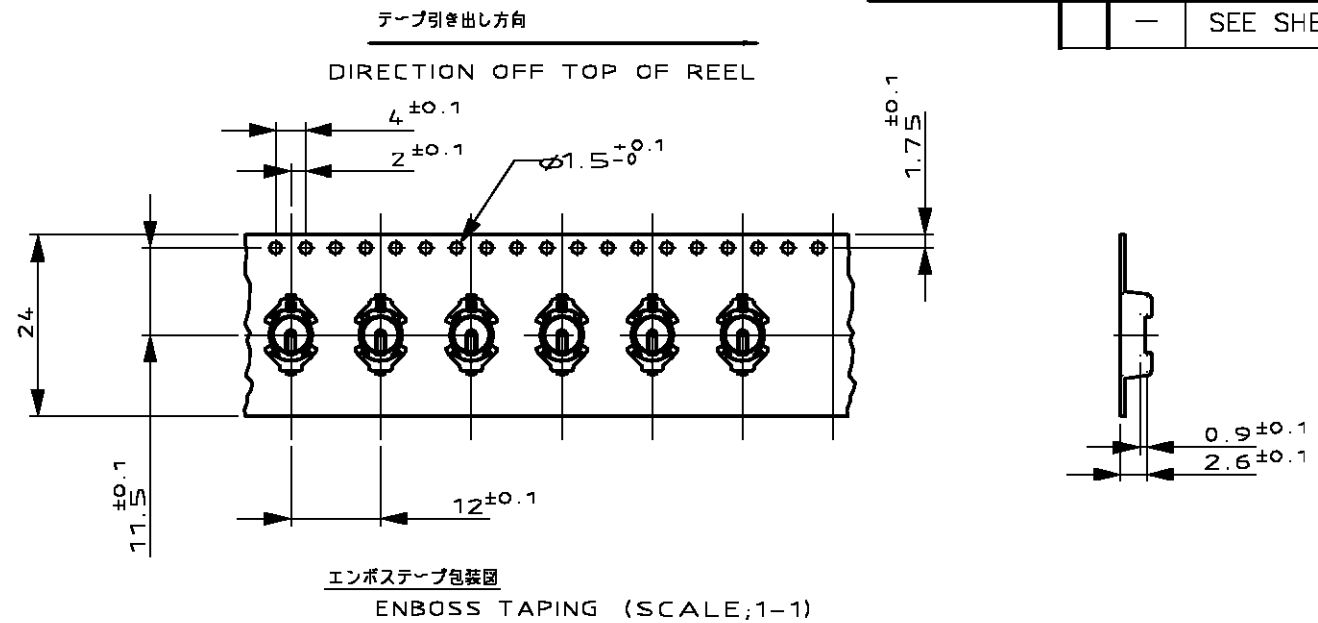
QTY	UNIT	MATERIAL	NAME	ITEM
1		STAINLESS STEEL	- CONTACT WITH DIMPLE	④
1		STAINLESS STEEL	- CONTACT WITHOUT DIMPLE	③
1	1	STAINLESS STEEL	+ CONTACT	②
1		THERMOPLASTIC (HIGH TEMPERETURE NYLON))	HOUSING (COLOR; BLUE)	①
	1	THERMOPLASTIC (HIGH TEMPERETURE NYLON))	HOUSING (COLOR; WHITE)	①

THIS DRAWING IS A CONTROLLED DOCUMENT.

DWN T.KIMURA 9SEP97	Tyco Electronics AMP K.K. Kawasaki, Japan
CHK K.KODAIRA 9SEP97	
APVD T.SASAKI 9SEP97	
PRODUCT SPEC 製品規格 108-5578	NAME 名称 BATTERY HOLDER FOR ML 616
APPLICATION SPEC 取付適用規格 114-5248	SIZE A3
WEIGHT △	CAGE CODE 00779
CUSTOMER DRAWING	DRAWING NO 番号 C-353832
	RESTRICTED TO -
	SCALE 尺度 1:1
	SHEET 1 OF 2
	REV F

THIS DRAWING IS UNPUBLISHED. RELEASED FOR PUBLICATION  
 © COPYRIGHT BY TYCO ELECTRONICS CORPORATION. ALL RIGHTS RESERVED.

LOC	DIST	REVISIONS					
J	-	P	LTR	DESCRIPTION	DATE	DWN	APVD
		-		SEE SHEET 1	-	-	-



推奨基板パターン形状  
RECOMMENDED PATTERN DIMENSION  
(scale: 5-1)

THIS DRAWING IS A CONTROLLED DOCUMENT.		DWN T.KIMURA 9SEP97	<b>AMP</b> Tyco Electronics AMP K.K. Kawasaki, Japan
DIMENSIONS: 単位: 概 MM		CHK K.KODAIRA 9SEP97	
TOLERANCES UNLESS OTHERWISE SPECIFIED: 一般公差		APVD T.SASAKI 9SEP97	NAME 名称 BATTERY HOLDER FOR ML 616
0-PLC ±		PRODUCT SPEC 製品規格	SIZE A3
1-PLC ± 10 ≥ : ±0.15		APPLICATION SPEC 取付適用規格	CAGE CODE 00779
2-PLC ± 30 ≥ > 10 : ±0.25		WEIGHT	DRAWING NO 番号 C-353832
3-PLC ± 100 ≥ > 30 : ±0.3		FINISH 仕上	RESTRICTED TO
4-PLC ±		MATERIAL 材料	SCALE 尺度 1:1
ANGLES ± 3'		SHEET 2 OF 2	
CUSTOMER DRAWING		REV F	

单击下面可查看定价，库存，交付和生命周期等信息

[>>TE Connectivity\(泰科\)](#)