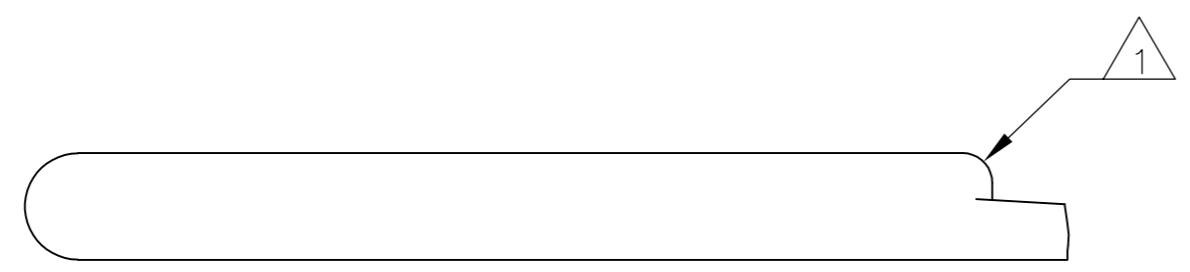
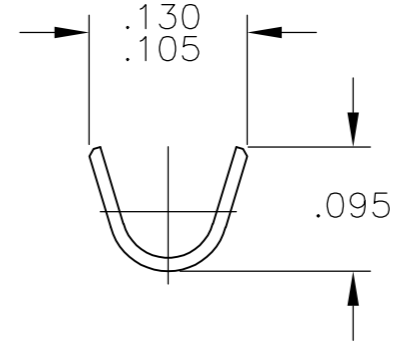
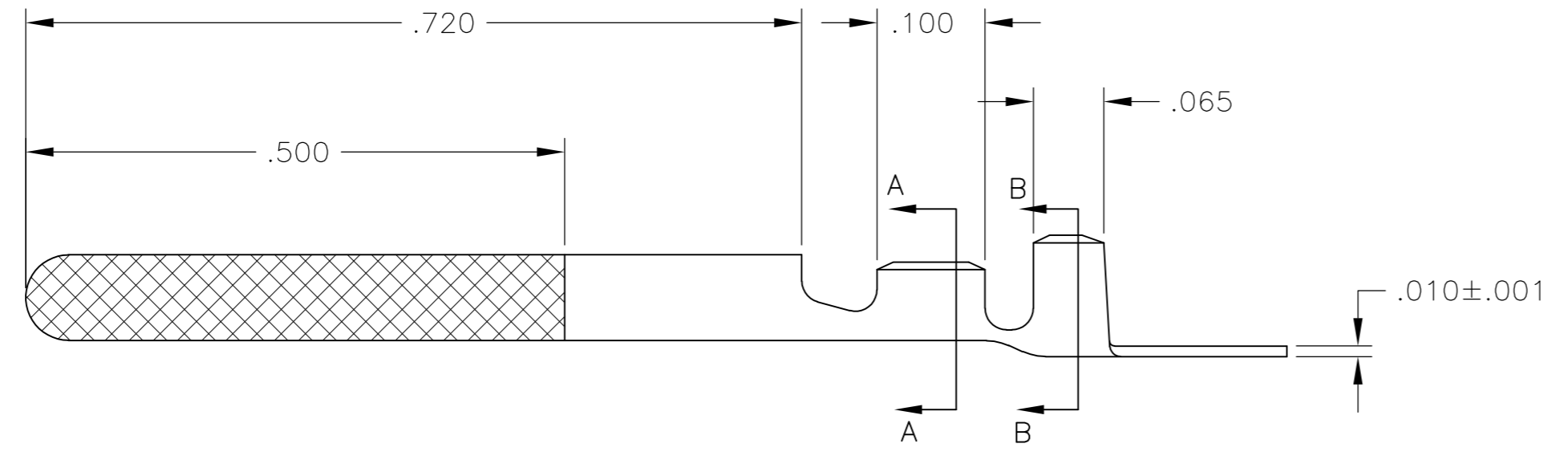
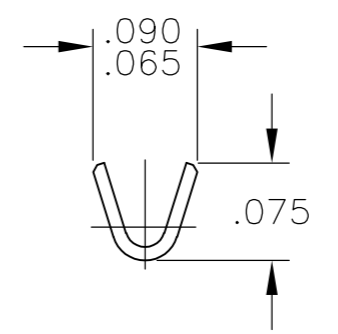
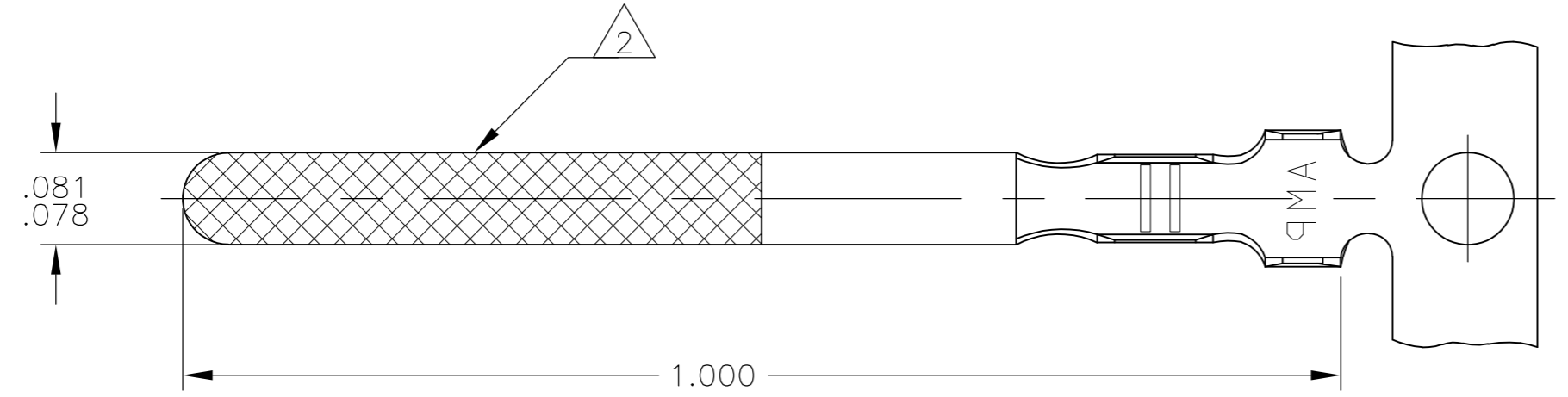


THIS DRAWING IS UNPUBLISHED. RELEASED FOR PUBLICATION  
 © COPYRIGHT BY TYCO ELECTRONICS CORPORATION. ALL INTERNATIONAL RIGHTS RESERVED.

LOC	DIST	REVISIONS			
P	LTR	DESCRIPTION	DATE	DWN	APVD
AF	50	K1	REDRAWN PER ECR-08-032847	09FEB09	HMR JR
		K2	REVISED PER ECO-09-020932	08SEP09	KK AEG

- 1 CRIMP DONE IN APPLICATOR
- 2 GOLD ON AREA MARKED .000015 - .000020 THK. WITH NICKEL OVER ENTIRE PART .000080 THK.
- 3 OBSOLETE PARTS: OBSOLETE CIS STREAMLINING PER D.RENAUD/D.SINISI



REVISION	REASON	MATERIAL	WIRE AWG	INSULATION RANGE	PART NO
3	SUPERSEDED	GOLD/NICKEL	24-20	.043-.073	62358-5
1	REVERSE REELED	BRIGHT TIN/LEAD OVER NICKEL	24-20	.043-.073	62358-4
1	OBSOLETE	TIN	24-20	.043-.073	62358-3
		FINISH	WIRE AWG	INSULATION RANGE	PART NO
		TIN	24-20	.043-.073	62358-1

THIS DRAWING IS A CONTROLLED DOCUMENT.		DWN RAGHAVENDRA 09FEB09	Tyco Electronics Corporation Harrisburg, PA 17105-3608	
DIMENSIONS: INCHES		CHK JEFF RUTH 09FEB09	NAME	
TOLERANCES UNLESS OTHERWISE SPECIFIED:		APVD DON DECKER 09FEB09	PRODUCT SPEC	
0 PLC ± -		APPLICATION SPEC		
1 PLC ± -		WEIGHT		
2 PLC ± -		SIZE CAGE CODE DRAWING NO RESTRICTED TO		
3 PLC ± .015		A2 00779 C=62358		
4 PLC ± -		SCALE 7:1 SHEET 1 of 1 REV K2		
ANGLES ± 1°		CUSTOMER DRAWING		
FINISH SEE TABLE				

单击下面可查看定价，库存，交付和生命周期等信息

[>>TE Connectivity\(泰科\)](#)