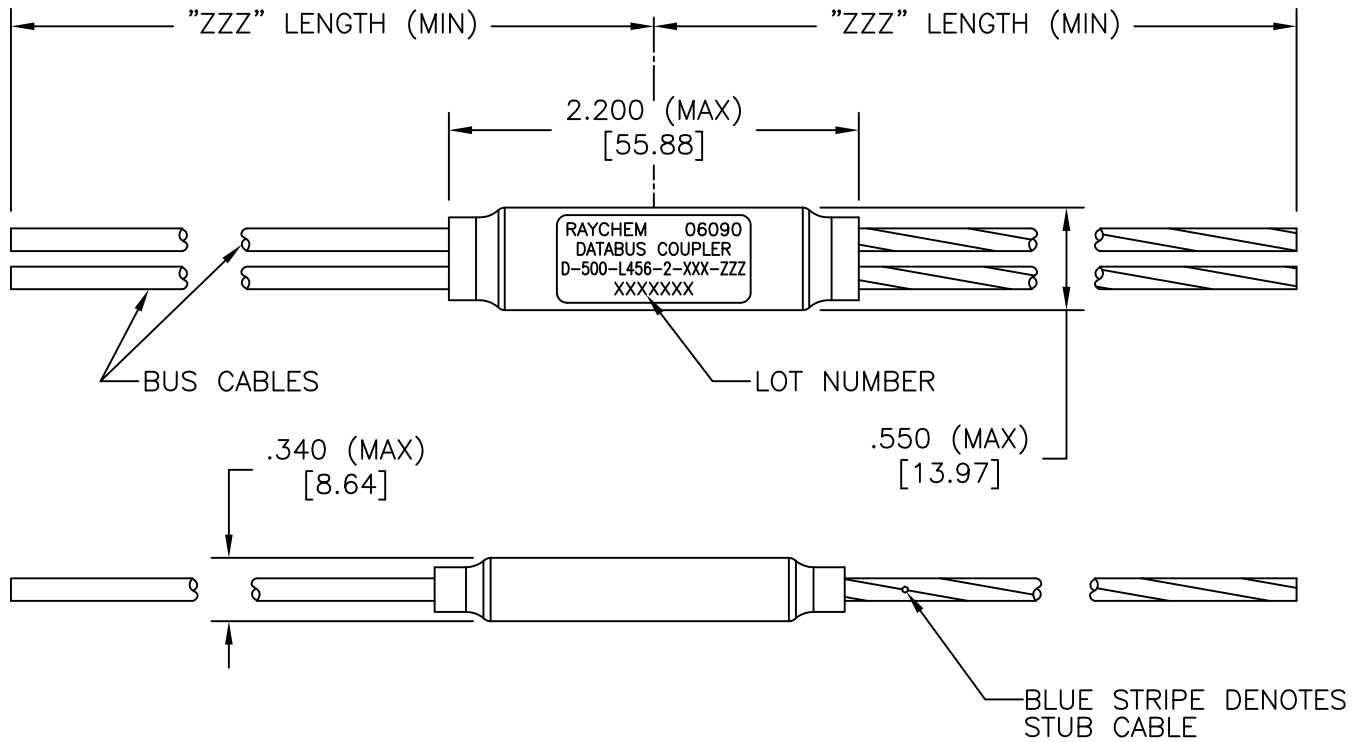


REVISION		
REV	DESCRIPTION	DATE
C	REVISED PER ECO-12-018952	26OCT2012



COMPONENT NUMBER

D-500-L456-2-XXX-ZZZ

SCHEMATIC 6: REVERSE
 NUMBER OF STUBS
 CABLE LENGTH (INCHES)
 CABLE

- 612: 10612 (OPTIMIZED SINGLE SHIELD)
- 613: 10613 (OPTIMIZED DOUBLE SHIELD)
- 614: 10614 (EMP HARDENED)
- EP3: EPD30653Q (BUS), EPD31346A-6L9-US (STUB) (OPTIMIZED DOUBLE SHIELD)
- H06: 7724H0664 (FLAT SHIELD WIRE, UNFILLED)
- 6D0: 7726D0664 26 AWG OPTIMIZED SINGLE SHIELD
- 6D3: 7726D3664 26 AWG OPTIMIZED DOUBLE SHIELD

If this document is printed it becomes uncontrolled. Check for the latest revision

© 2011-2012 Tyco Electronics Corporation. All Rights Reserved.

Raychem Databus
 CUSTOMER DRAWING

UNLESS OTHERWISE SPECIFIED DIMENSIONS ARE INCHES. METRIC DIMENSIONS ARE IN BRACKETS. DECIMAL TOLERANCES .XXX ±--- [---mm] .XX ±--- [---mm] .X ±--- [---mm] ANGLE TOLERANCE .X ±---	G.Rositano	12/8/03	TE Connectivity
	MATERIAL FINISH		
CAD FILE D-500-L456-2-XXX-ZZZa	THIRD ANGLE PROJECTION 		SIZE CODE IDENT. NO. DWG. NO. A 06090 D-500-L456-2-XXX-ZZZ
DO NOT SCALE THIS DRAWING			SHEET 1 OF 2

1. MATERIAL AND FINISHES:

1.1 INTERNAL COMPONENTS:

- TRANSFORMER TO MIL-PRF-21038 AND MIL-STD-1553B
- RESISTORS TO MIL-PRF-39007/9, 57.6 OHMS

1.2 SHIELDED CASE: ALUMINUM PER ASTM-B618.

1.3 SEALED COVER: MODIFIED CROSS-LINKED, FLAME RETARDANT, BLACK, FLUOROPOLYMER TO RAYCHEM SPECIFICATION RT-370.

1.4 CABLE TO RAYCHEM SPECIFICATION 1200 (SEE PART NO. ON SHEET 1).

2. APPLICATION:

2.1 THIS COUPLER IS DESIGNED TO BE INSTALLED INTO A DIGITAL MULTIPLEX ASSEMBLY MEETING THE REQUIREMENTS OF MIL-STD-1553B.

2.2 FOR CABLE SPLICING USE FLEXIBLE SPLICE KIT D-150-0708-5 (NOT SUPPLIED).

2.3 CABLE BEND RADIUS PER SAE-AS50881 STATIC BEND: 5 x CABLE O.D. MIN.
DYNAMIC BEND: 10 x CABLE O.D. MIN.

3. TEMPERATURE:

3.1 OPERATING TEMPERATURE: -65°C TO +150°C

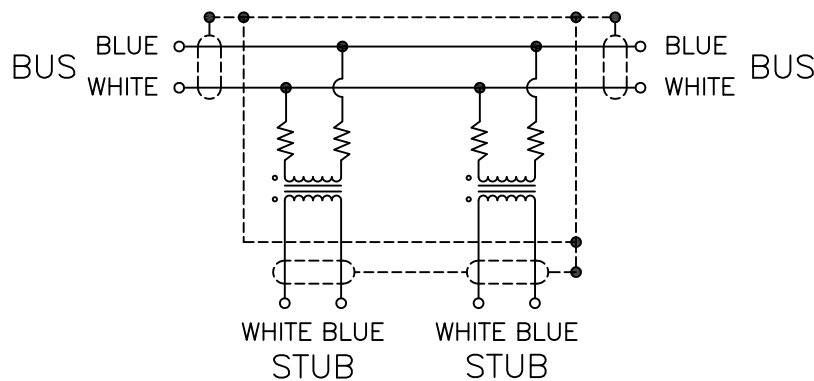
4. PERFORMANCE SPECIFICATIONS:

4.1 COUPLER MEETS THE PERFORMANCE REQUIREMENTS OF MIL-STD-1553B.

5. WEIGHT:

5.1 WEIGHT WITHOUT CABLE: 9.5 GRAMS (MAXIMUM).

DOUBLE STUB COUPLER SCHEMATIC



If this document is printed it becomes uncontrolled. Check for the latest revision

© 2011-2012 Tyco Electronics Corporation. All Rights Reserved.				Raychem Databus CUSTOMER DRAWING	
DRAWN G. Rositano	DATE 12/8/03	SIZE A	CODE IDENT. NO. 06090	DWG. NO. D-500-L456-2-XXX-ZZZ	REV C
CAD FILE D-500-L456-2-XXX-ZZZb				DO NOT SCALE THIS DRAWING SHEET 2 OF 2	

单击下面可查看定价，库存，交付和生命周期等信息

[>>TE Connectivity\(泰科\)](#)