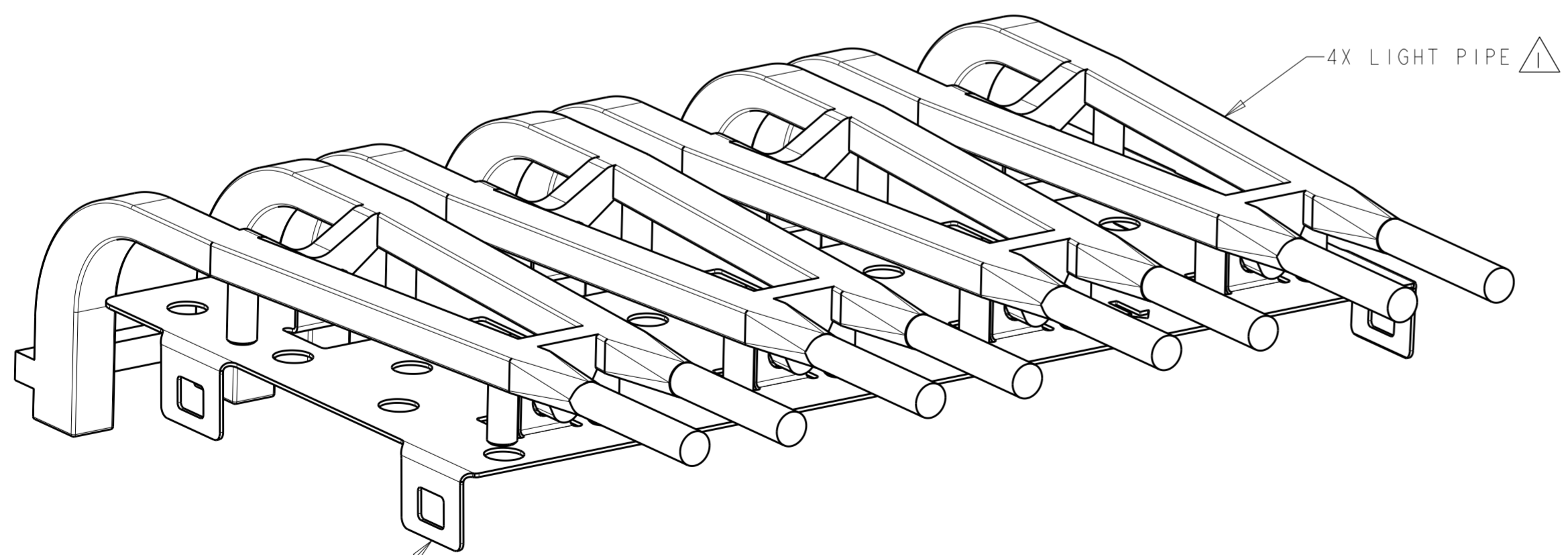
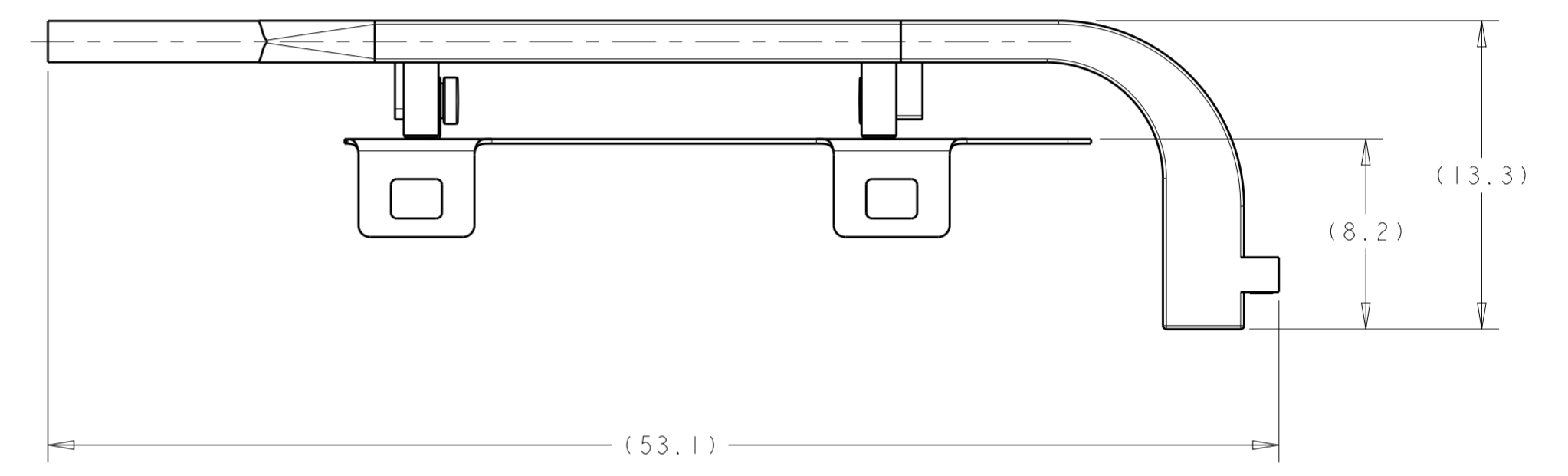
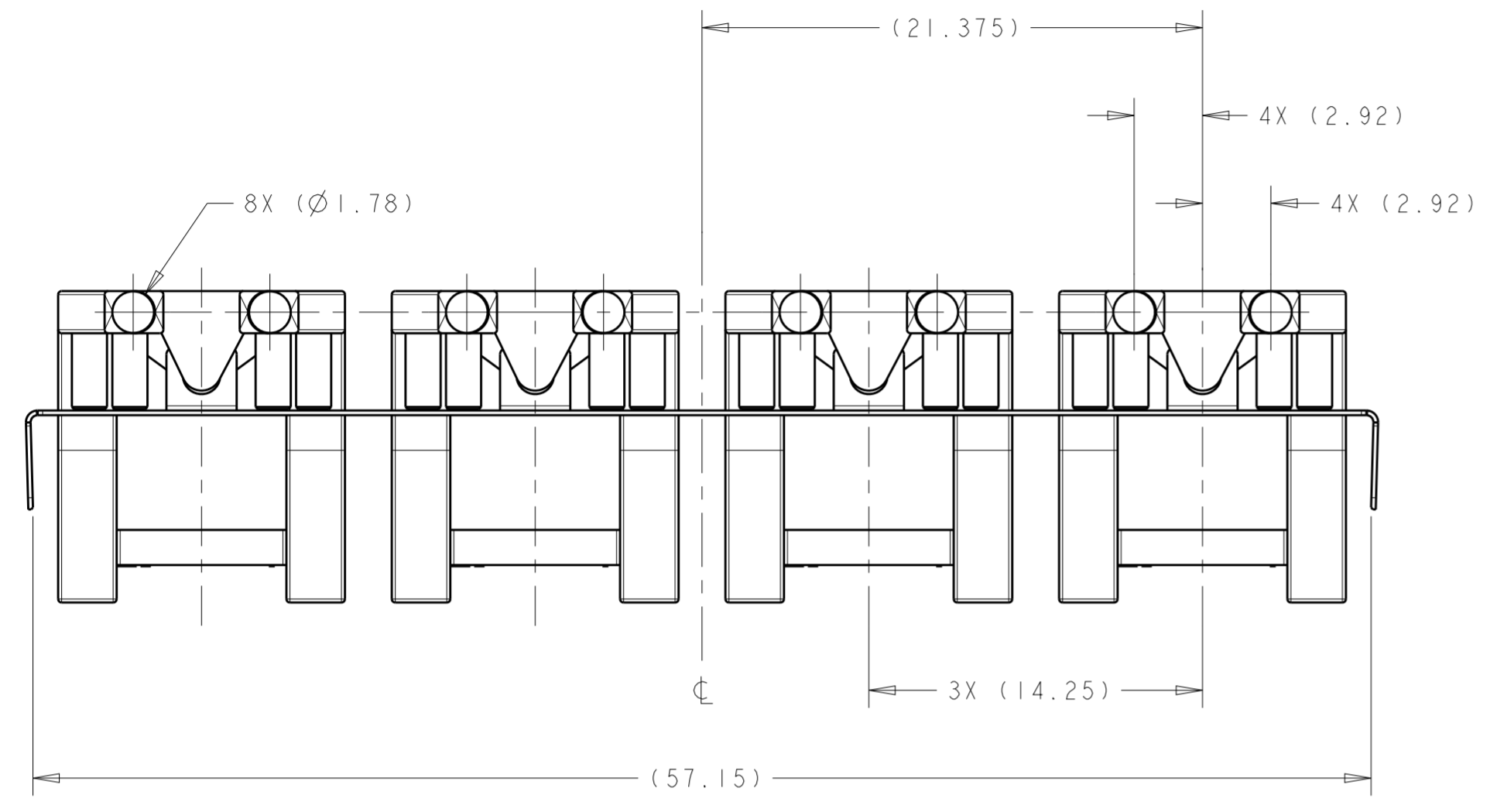


THIS DRAWING IS UNPUBLISHED. RELEASED FOR PUBLICATION
 © COPYRIGHT 20 BY - ALL RIGHTS RESERVED.

LOC		DIST		REVISIONS			
P	LTR	DESCRIPTION	DATE	DWN	APVD		
	A	RELEASED PER ECO-09-004191	23FEB2009	ZMR	MRS		
	A1	REVISED PER ECO-14-003229	05MAR2014	PP	SH		
	A2	REVISED PER ECO-16-013641	31AUG2016	PP	SH		



- 1 POLYCARBONATE, CLEAR, UL 94V-2.
- 2 STAINLESS STEEL PER ASTM A 666

2007099-1
 PART NUMBER

2 LIGHT PIPE BRACKET

2007099-1
 SCALE 4:1

THIS DRAWING IS A CONTROLLED DOCUMENT.		DWN M.F. COWHER CHK M.J. PHILLIPS APVD M.J. PHILLIPS	TE Connectivity	
DIMENSIONS: mm	TOLERANCES UNLESS OTHERWISE SPECIFIED:	PRODUCT SPEC 108-2364	NAME 1X4 LIGHT PIPE ASSEMBLY SFP+	
0 PLC ±-	1 PLC ±-	APPLICATION SPEC -	SIZE A2	CAGE CODE 100779
2 PLC ±-	3 PLC ±-	WEIGHT -	DRAWING NO. C-2007099	RESTRICTED TO -
4 PLC ±-	ANGLES ±-	CUSTOMER DRAWING	SCALE 1:1	SHEET 1 OF 6
MATERIAL 1 2 -	FINISH -			REV A2

4

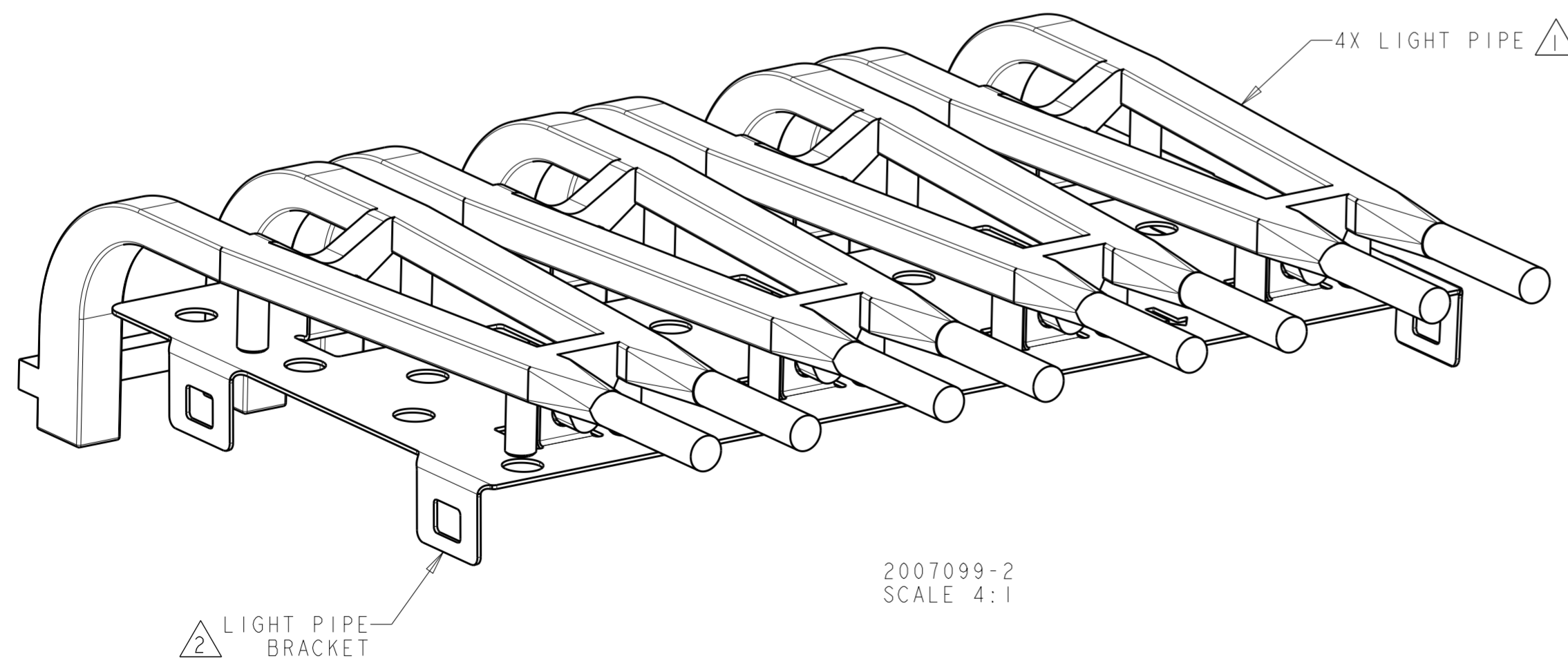
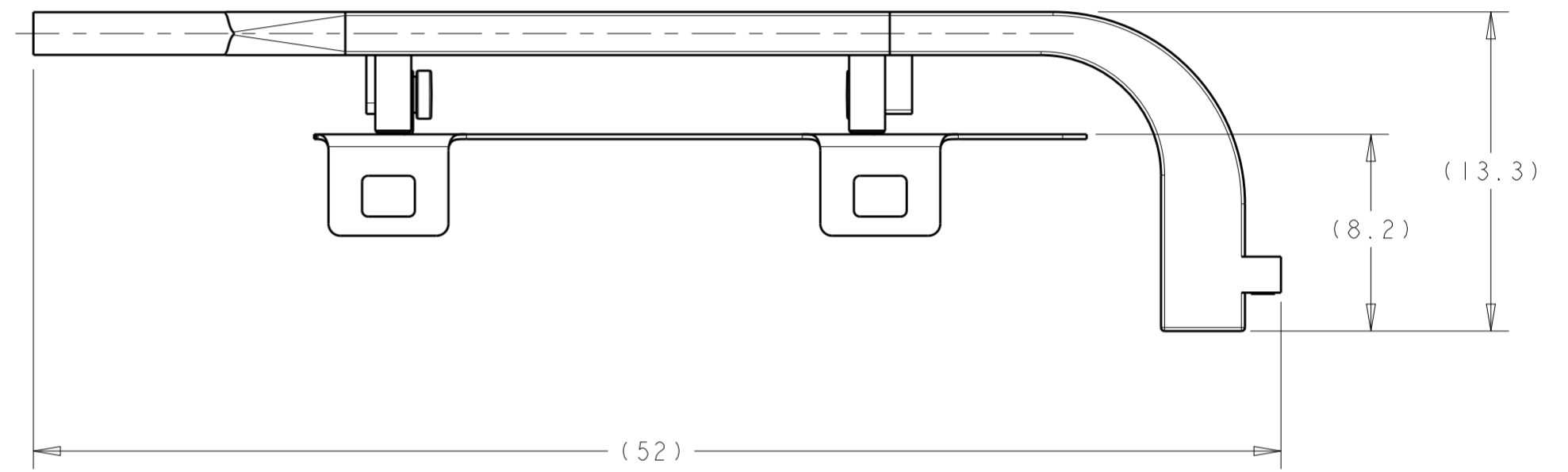
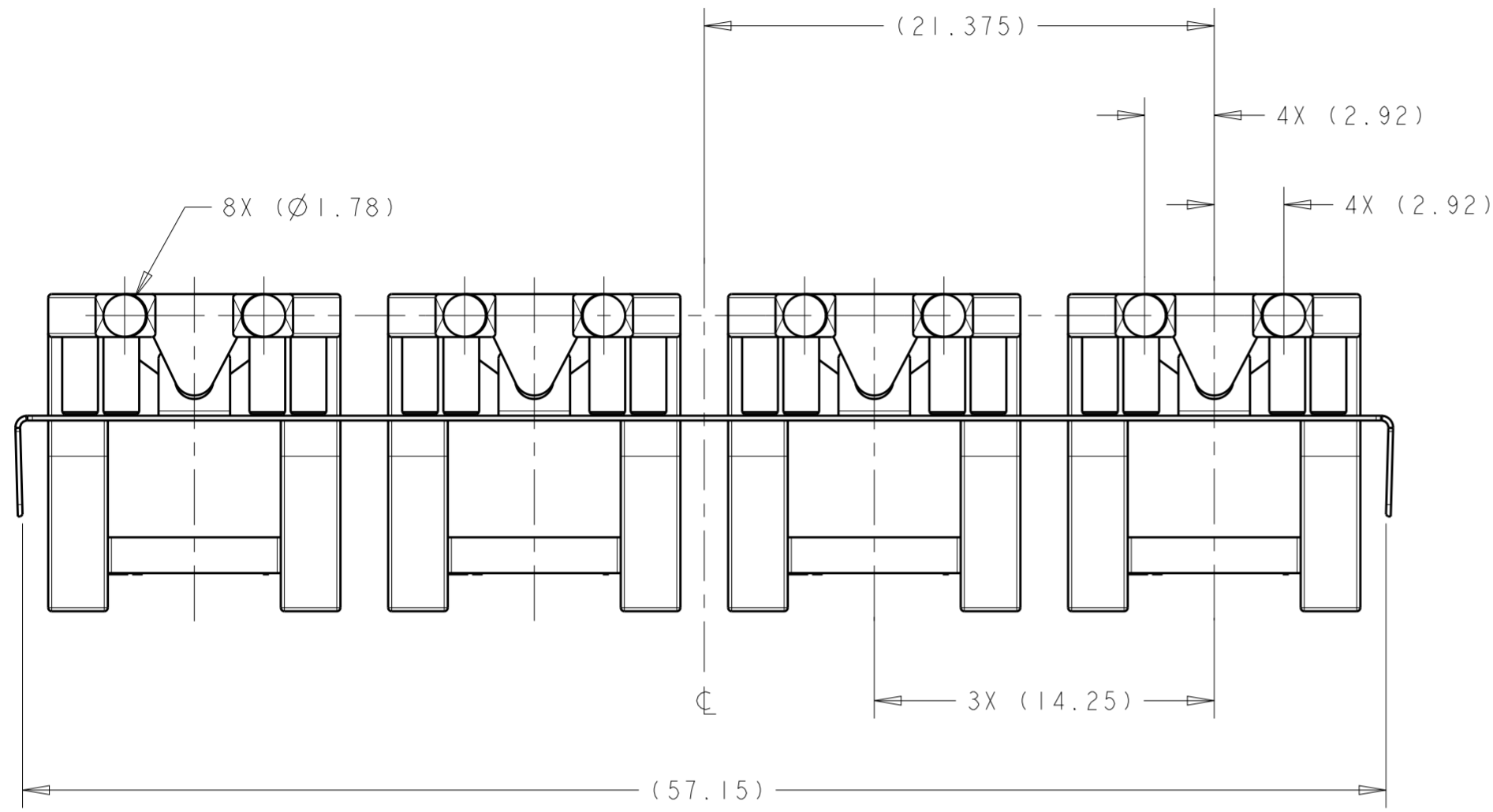
3

2

1

THIS DRAWING IS UNPUBLISHED. RELEASED FOR PUBLICATION
 © COPYRIGHT 20 BY - ALL RIGHTS RESERVED.

LOC	DIST	REVISIONS			
P	LTR	DESCRIPTION	DATE	DWN	APVD
-	-	SEE SHEET 1	-	-	-



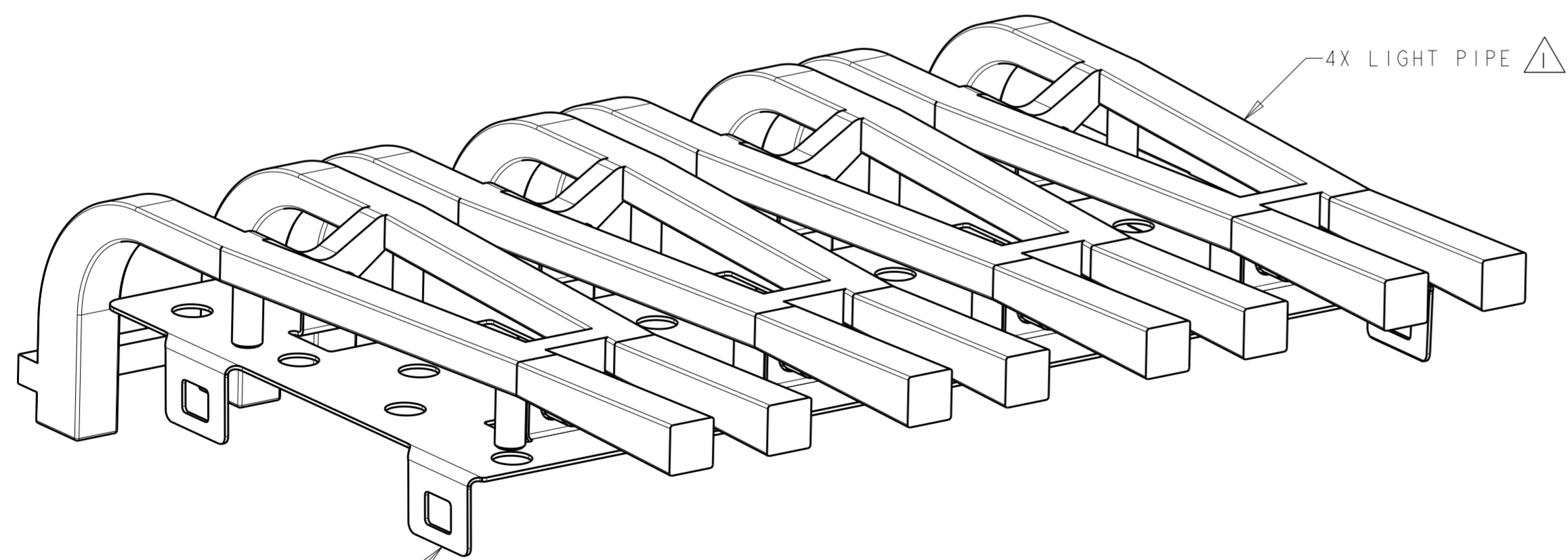
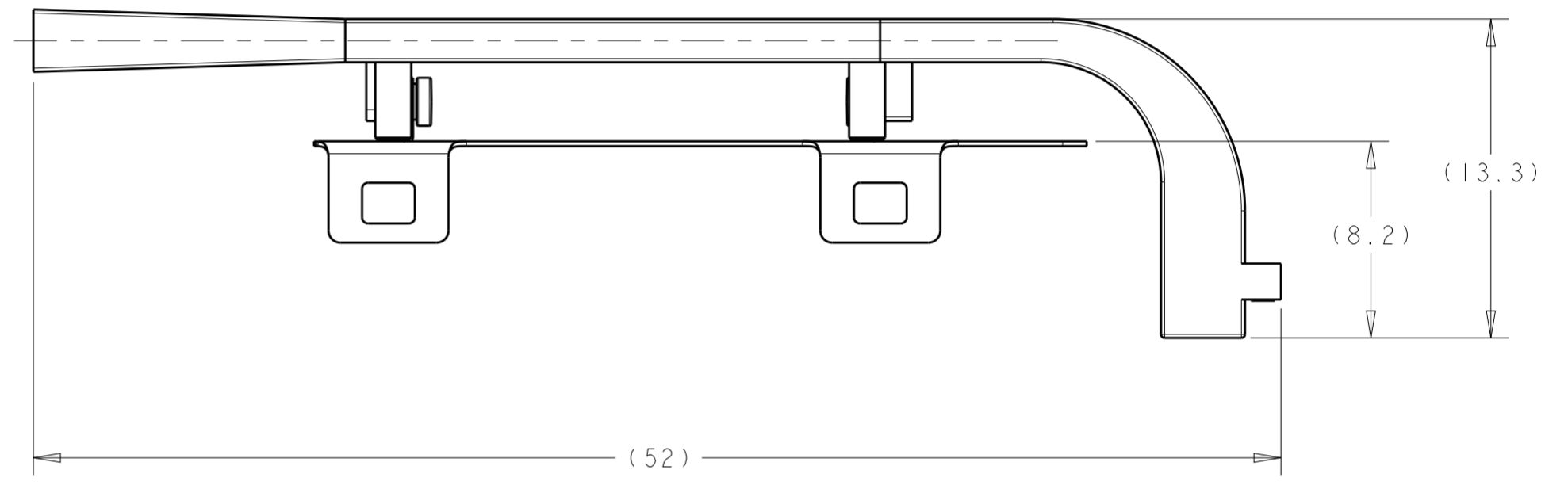
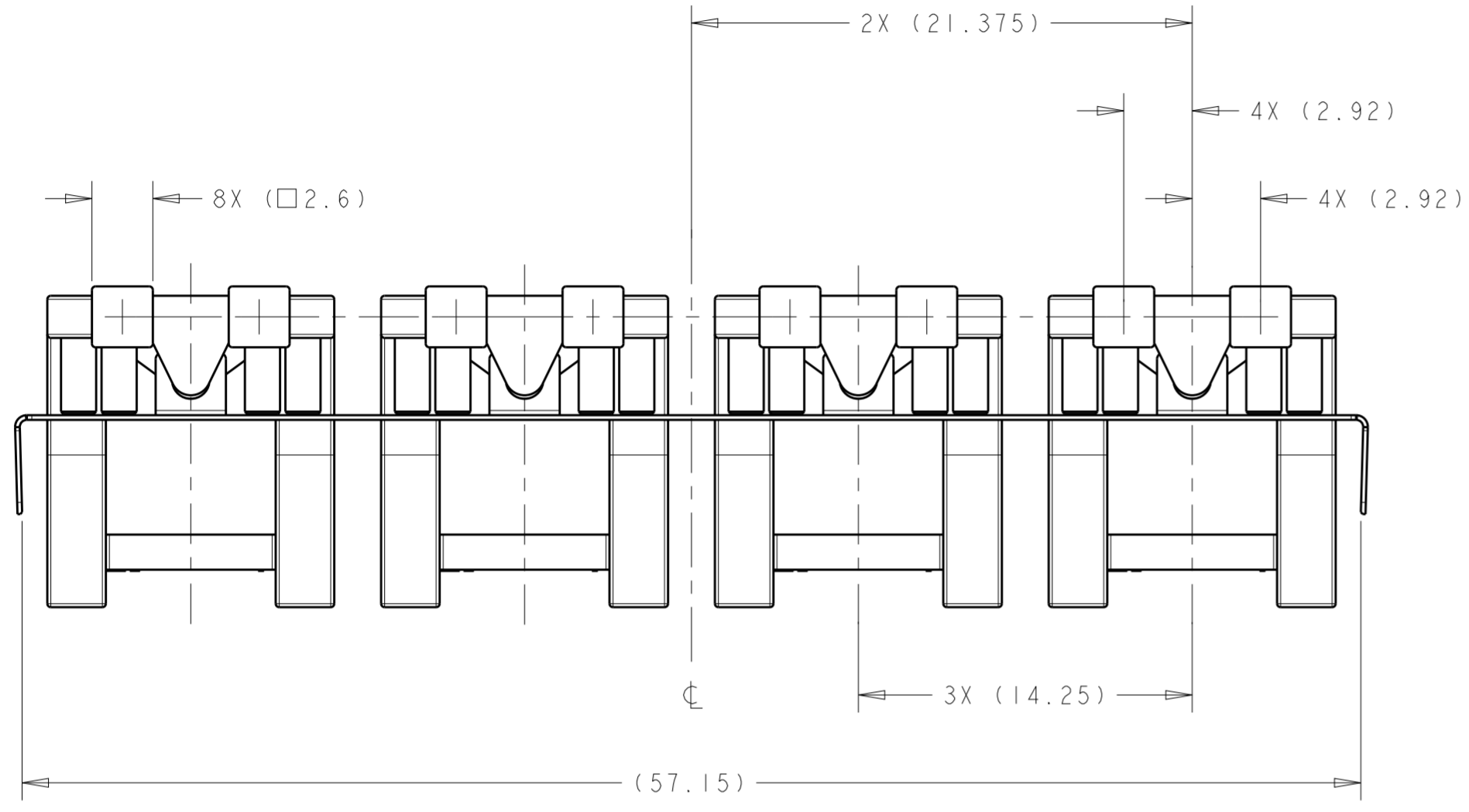
2007099-2
 SCALE 4:1

2007099-2
 PART NUMBER

THIS DRAWING IS A CONTROLLED DOCUMENT.		DWN M.F. COWHER CHK M.J. PHILLIPS APVD M.J. PHILLIPS	TE Connectivity	
DIMENSIONS: mm	TOLERANCES UNLESS OTHERWISE SPECIFIED: 0 PLC ±- 1 PLC ±- 2 PLC ±- 3 PLC ±- 4 PLC ±- ANGLES ±- FINISH -	PRODUCT SPEC 108-2364	NAME 1X4 LIGHT PIPE ASSEMBLY SFP+	
MATERIAL material_1_2	finish_spec_2	APPLICATION SPEC -	SIZE A2	CAGE CODE 100779
Customer Drawing		WEIGHT -	DRAWING NO C-2007099	RESTRICTED TO -
		SCALE 4:1	SHEET 2 OF 6	REV A2

THIS DRAWING IS UNPUBLISHED. RELEASED FOR PUBLICATION
 © COPYRIGHT 20 BY - ALL RIGHTS RESERVED.

LOC	DIST	REVISIONS			
P	LTR	DESCRIPTION	DATE	DWN	APVD
-	-	SEE SHEET 1	-	-	-



2007099-3
 SCALE 4:1

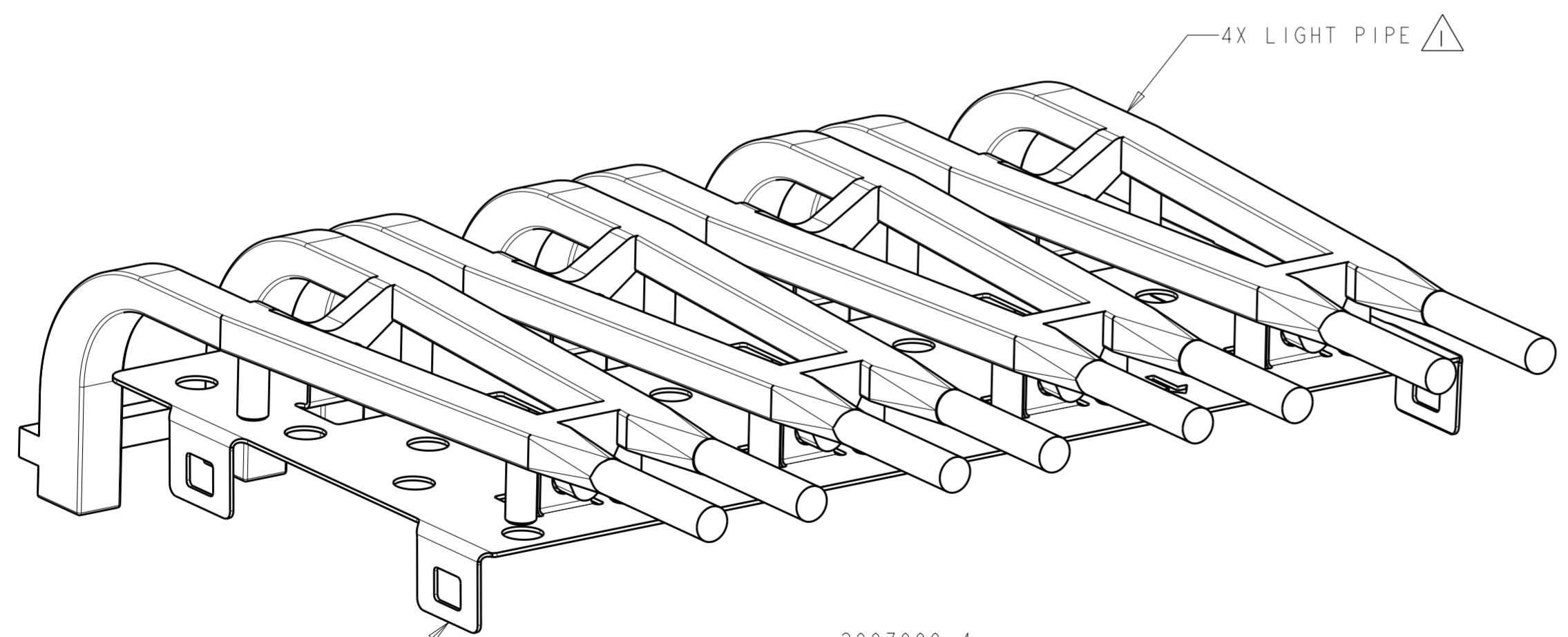
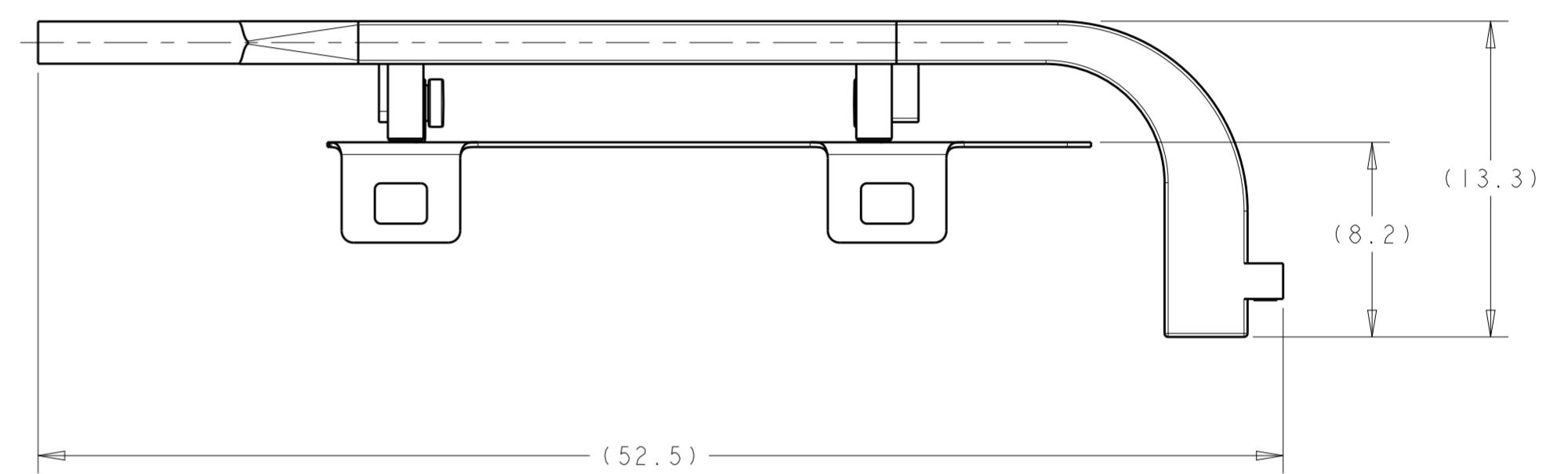
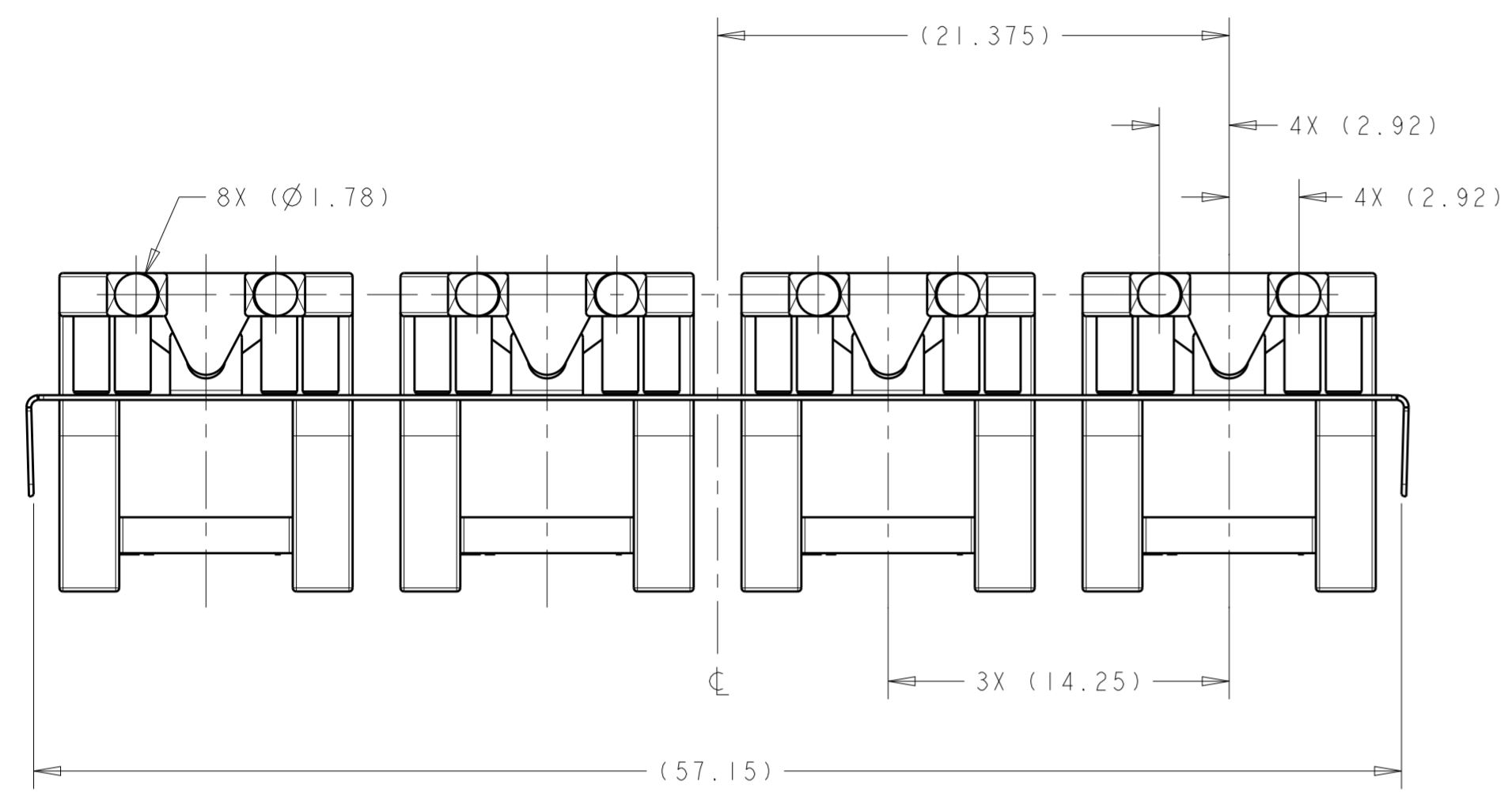
2 LIGHT PIPE BRACKET

2007099-3
 PART NUMBER

THIS DRAWING IS A CONTROLLED DOCUMENT.		DWN: M.F. COWHER CHK: M.J. PHILLIPS APVD: M.J. PHILLIPS	TE Connectivity	
DIMENSIONS: mm	TOLERANCES UNLESS OTHERWISE SPECIFIED:	PRODUCT SPEC: 108-2364	NAME: 1X4 LIGHT PIPE ASSEMBLY SFP+	
0 PLC ±-	1 PLC ±-	APPLICATION SPEC: -	SIZE: A2	CAGE CODE: 100779
2 PLC ±-	3 PLC ±-	WEIGHT: -	DRAWING NO: C-2007099	RESTRICTED TO: -
4 PLC ±-	ANGLES ±-	MATERIAL: -	SCALE: 4:1	SHEET: 3 OF 6
FINISH: -	finish_spec_2	MATERIAL: -	Customer Drawing	REV: A2

THIS DRAWING IS UNPUBLISHED. RELEASED FOR PUBLICATION
 © COPYRIGHT 20 BY - ALL RIGHTS RESERVED.

LOC		DIST		REVISIONS			
P	LTR	DESCRIPTION	DATE	DWN	APVD		
-	-	SEE SHEET 1	-	-	-		



2007099-4
 SCALE 4:1

2007099-4
 PART NUMBER

THIS DRAWING IS A CONTROLLED DOCUMENT.		DWN M.F. COWHER CHK M.J. PHILLIPS APVD M.J. PHILLIPS	TE Connectivity	
DIMENSIONS: mm	TOLERANCES UNLESS OTHERWISE SPECIFIED:	PRODUCT SPEC 108-2364	NAME 1X4 LIGHT PIPE ASSEMBLY SFP+	
0 PLC ±-	1 PLC ±-	APPLICATION SPEC -	SIZE A2	CAGE CODE 100779
2 PLC ±-	3 PLC ±-	WEIGHT -	DRAWING NO C-2007099	RESTRICTED TO -
4 PLC ±-	ANGLES ±-	MATERIAL -	SCALE 4:1	SHEET 4 OF 6
FINISH -	finish_spec_2	Customer Drawing	REV A2	

4

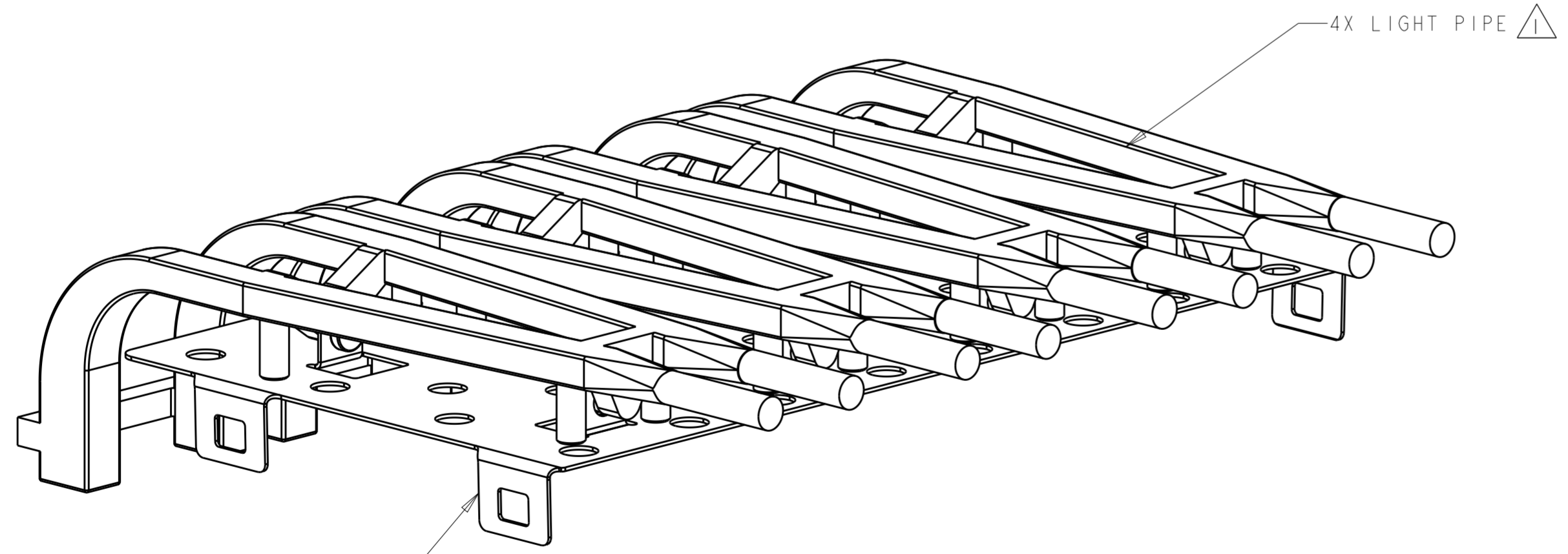
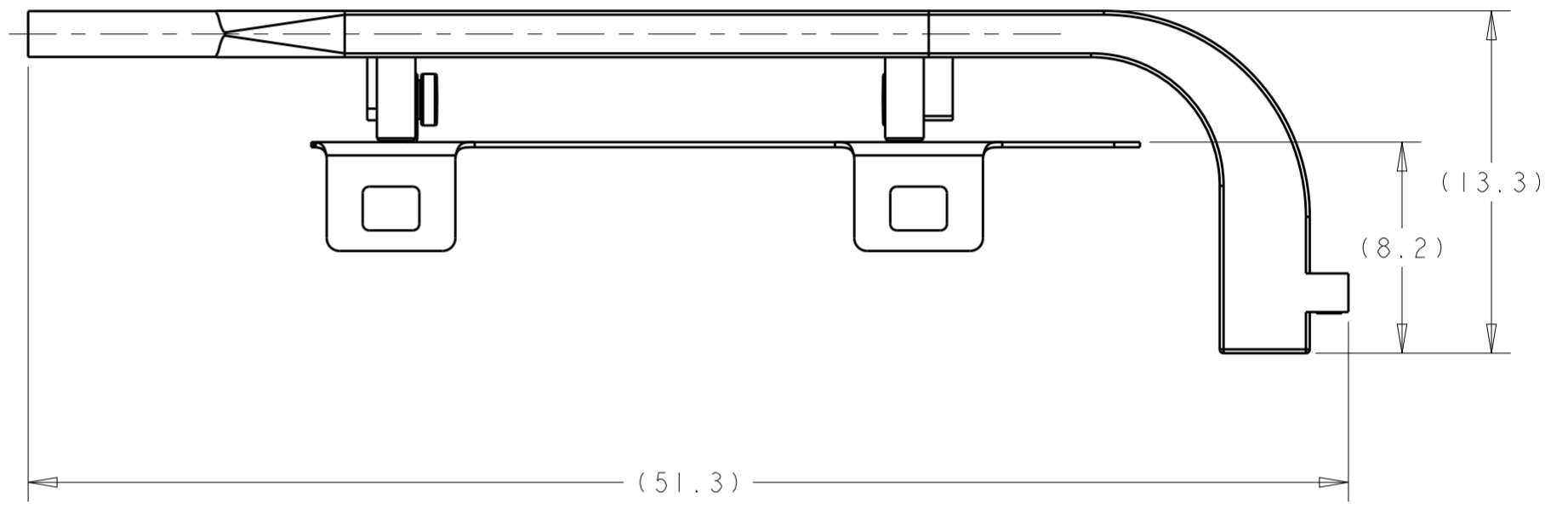
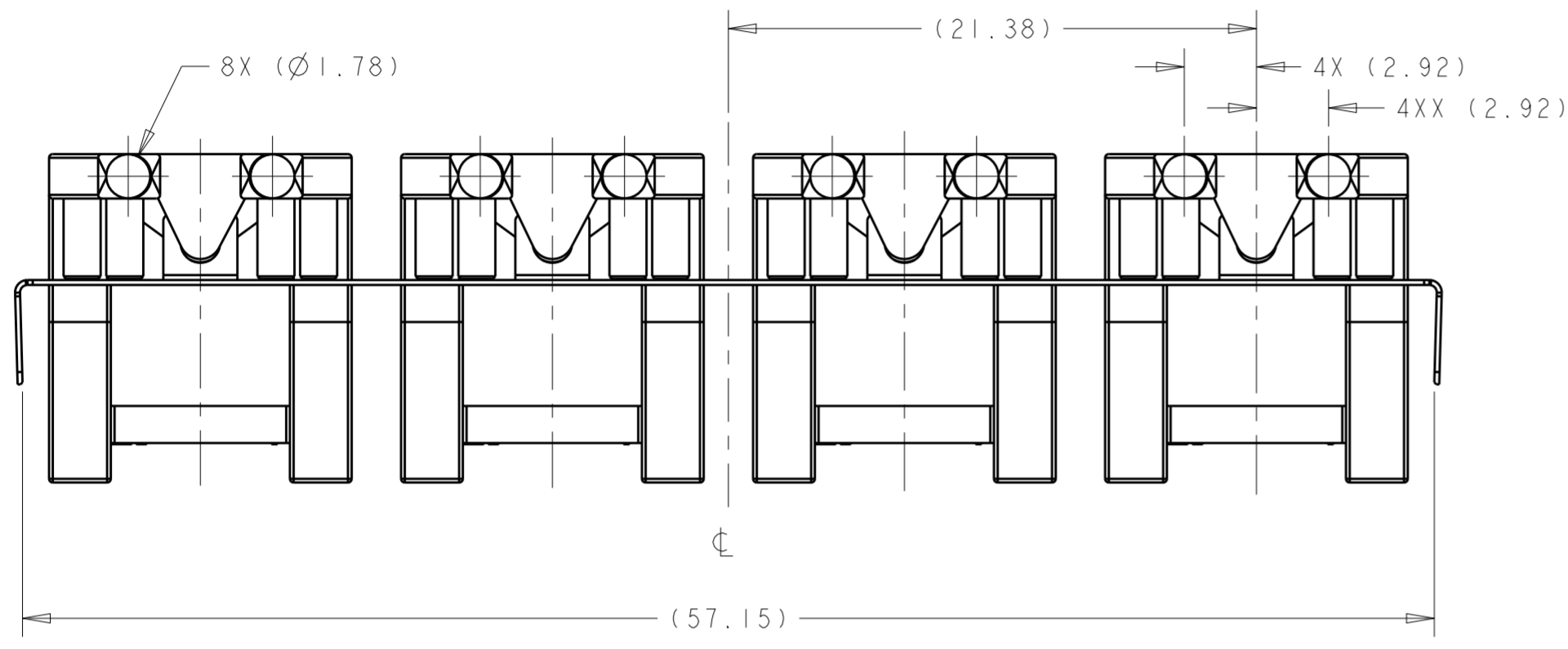
3

2

1

THIS DRAWING IS UNPUBLISHED. RELEASED FOR PUBLICATION
 © COPYRIGHT 20 BY - ALL RIGHTS RESERVED.

LOC		DIST		REVISIONS			
P	LTR	DESCRIPTION		DATE	DWN	APVD	
-	-	SEE SHEET 1		-	-	-	



1-2007099-0

1-2007099-0

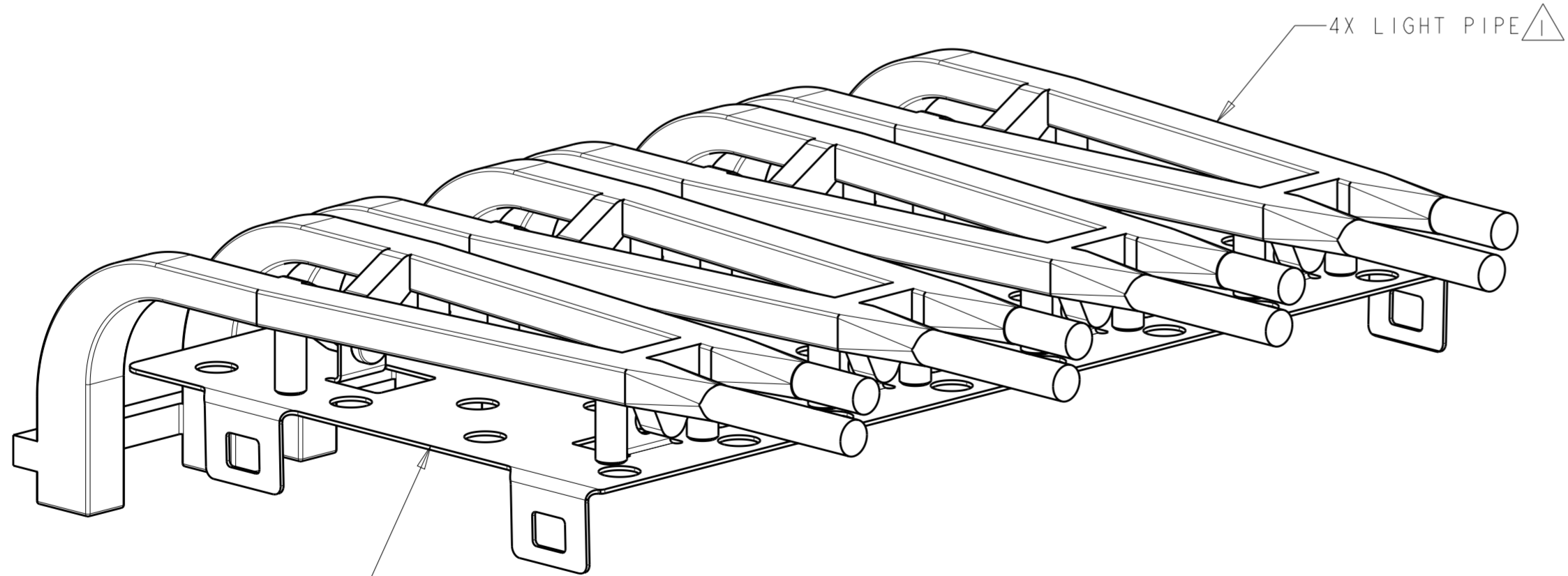
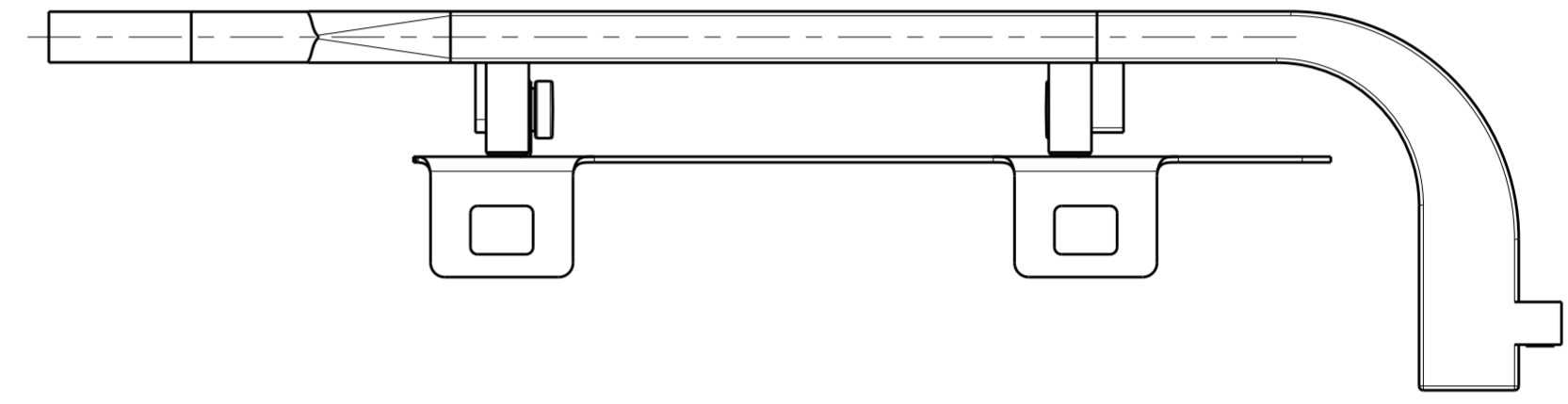
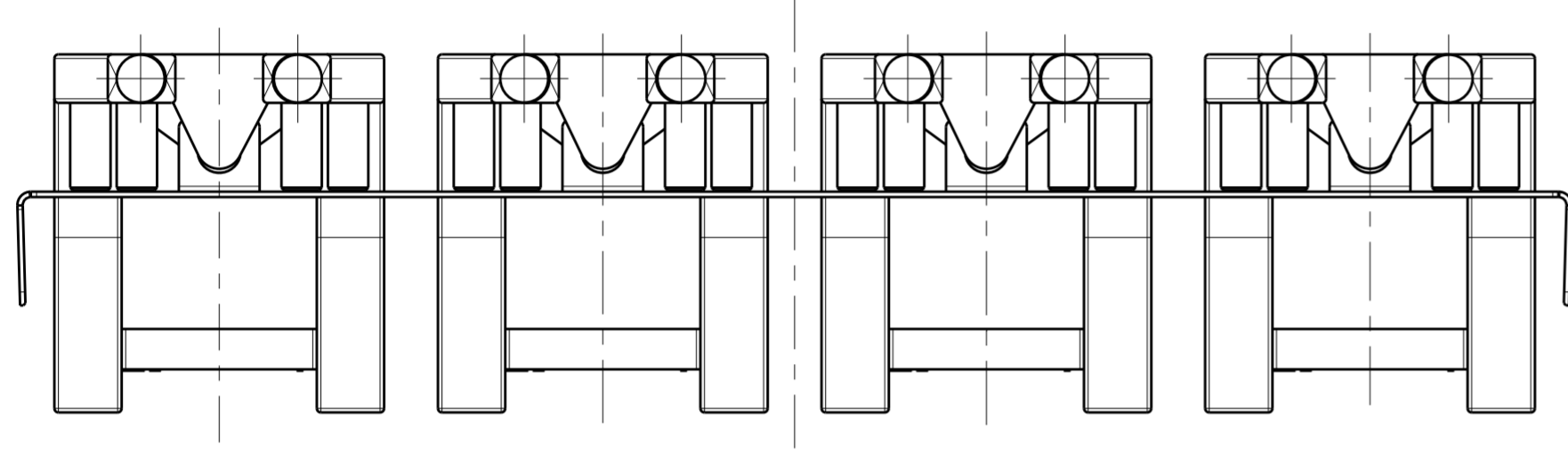
PART NUMBER

2 LIGHT PIPE BRACKET

THIS DRAWING IS A CONTROLLED DOCUMENT.		DWN M.F. COWHER CHK M.J. PHILLIPS APVD M.J. PHILLIPS	TE Connectivity	
DIMENSIONS: mm	TOLERANCES UNLESS OTHERWISE SPECIFIED: 0 PLC ±- 1 PLC ±- 2 PLC ±- 3 PLC ±- 4 PLC ±- ANGLES ±- FINISH -	10MAY2007 10MAY2007 10MAY2007	NAME 1X4 LIGHT PIPE ASSEMBLY SFP+	
		PRODUCT SPEC 108-2364	SIZE A2	CAGE CODE 100779
MATERIAL material_2	finish_spec_2	APPLICATION SPEC -	DRAWING NO C-2007099	RESTRICTED TO -
Customer Drawing		WEIGHT -	SCALE 4:1	SHEET 5 OF 6
			REV A2	

THIS DRAWING IS UNPUBLISHED. RELEASED FOR PUBLICATION
 © COPYRIGHT 20 BY - ALL RIGHTS RESERVED.

LOC		DIST		REVISIONS			
P	LTR	DESCRIPTION	DATE	DWN	APVD		
-	-	SEE SHEET 1	-	-	-		



2-2007099-1
 PART NUMBER

2-2007099-1

THIS DRAWING IS A CONTROLLED DOCUMENT.		DWN M.F. COWHER 10MAY2007	TE Connectivity	
DIMENSIONS: mm		CHK M.J. PHILLIPS 10MAY2007		
TOLERANCES UNLESS OTHERWISE SPECIFIED:		APVD M.J. PHILLIPS 10MAY2007	NAME 1X4 LIGHT PIPE ASSEMBLY	
0 PLC ±-	1 PLC ±-	PRODUCT SPEC 108-2364	SIZE -	
2 PLC ±-	3 PLC ±-	APPLICATION SPEC -	CAGE CODE A2100779	DRAWING NO C-2007099
4 PLC ±-	ANGLES ±-	WEIGHT -	RESTRICTED TO -	SCALE 4:1
MATERIAL -	FINISH -	Customer Drawing	SHEET 6 OF 6	REV A2

单击下面可查看定价，库存，交付和生命周期等信息

[>>TE Connectivity\(泰科\)](#)