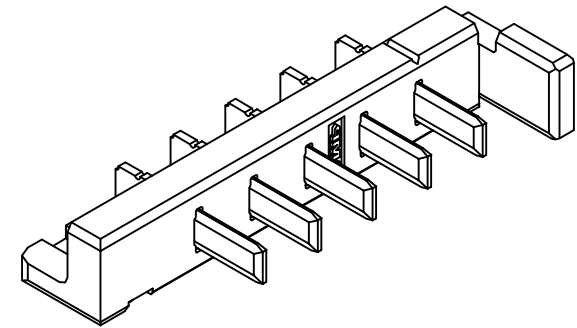
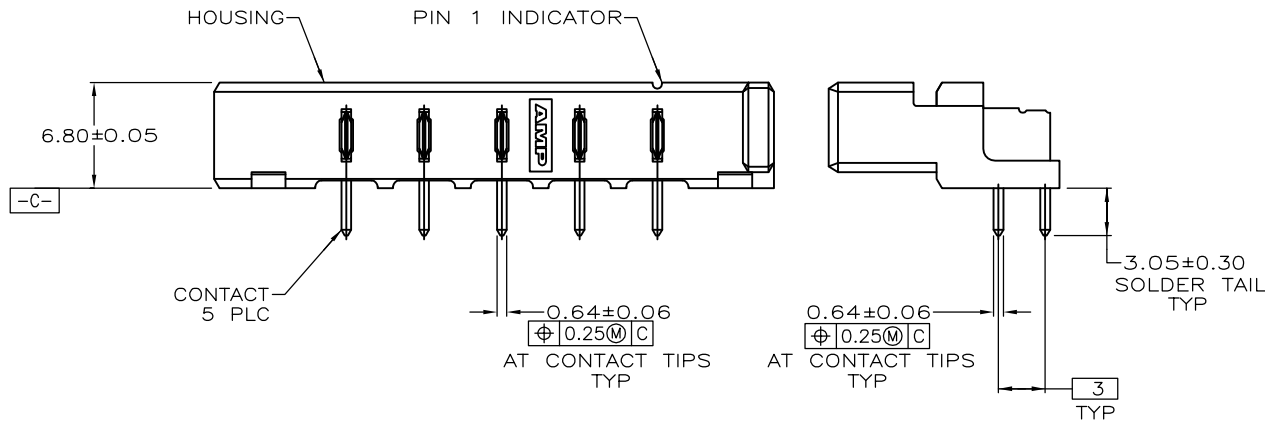
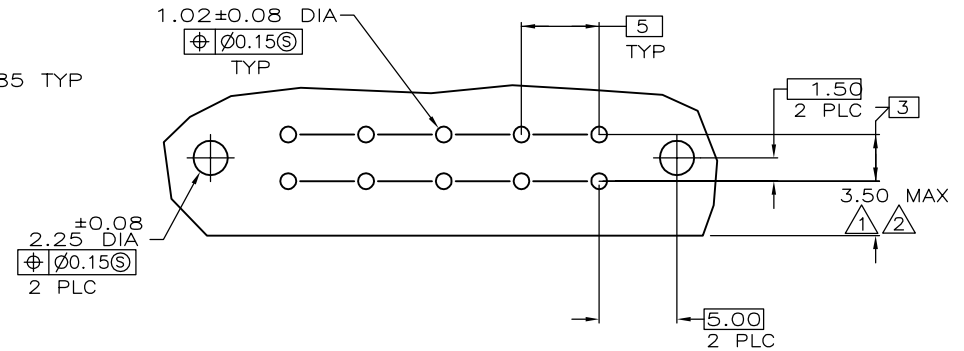
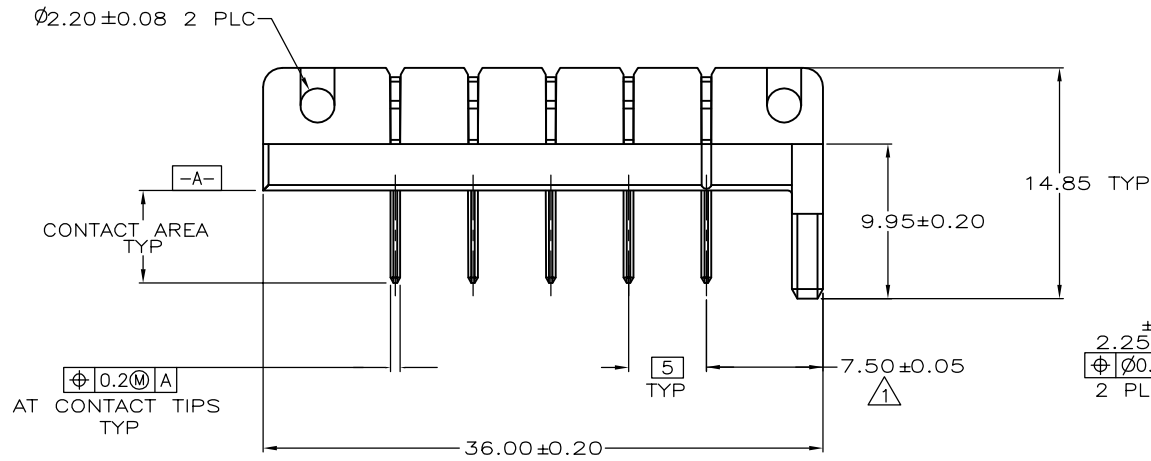


LOC	DIST	REVISIONS					
ES	00	P	LTR	DESCRIPTION	DATE	DWN	APVD
		0		RELEASED ECR-05-001438	29MAR05	J.Z	I.E



P/N: 5787366-1

- ⚠ COORDINATE DIMENSION APPLIES FROM CENTER OF ACTUAL FEATURE.
- ⚠ DIMENSION CAN BE EXCEEDED FOR APPLICATIONS WHERE FINAL MATED POSITION OF PACK IS ABOVE TOP SURFACE OF PCB.
- ⚠ HOUSING: LCP, COLOR BLACK; CONTACTS: BRASS
- ⚠ CONTACTS: 2.54um MIN TIN ON SOLDER TAIL OVER 1.90um MIN NICKEL ALL OVER.

THIS DRAWING IS A CONTROLLED DOCUMENT.		DWN	1-5-95		Tyco Electronics Corporation Shanghai PRC			
DIMENSIONS: mm		CHK	1-9-95		NAME			
TOLERANCES UNLESS OTHERWISE SPECIFIED:		APVD	1-9-95		HEADER ASSEMBLY, RIGHT ANGLE, RIGHT VOLTAGE KEY, 12V, BATTERY INTERCONNECTS			
0 PLC	± -	PRODUCT SPEC	-		SIZE	CAGE CODE	DRAWING NO	RESTRICTED TO
1 PLC	± -	APPLICATION SPEC	-		A3	00779	C-5787366	-
2 PLC	± 0.10	WEIGHT	-		CUSTOMER DRAWING			SCALE
3 PLC	± -	MATERIAL		3:1		SHEET		1 OF 1
4 PLC	± -	FINISH		REV		0		
ANGLES	± -							

单击下面可查看定价，库存，交付和生命周期等信息

[>>TE Connectivity\(泰科\)](#)