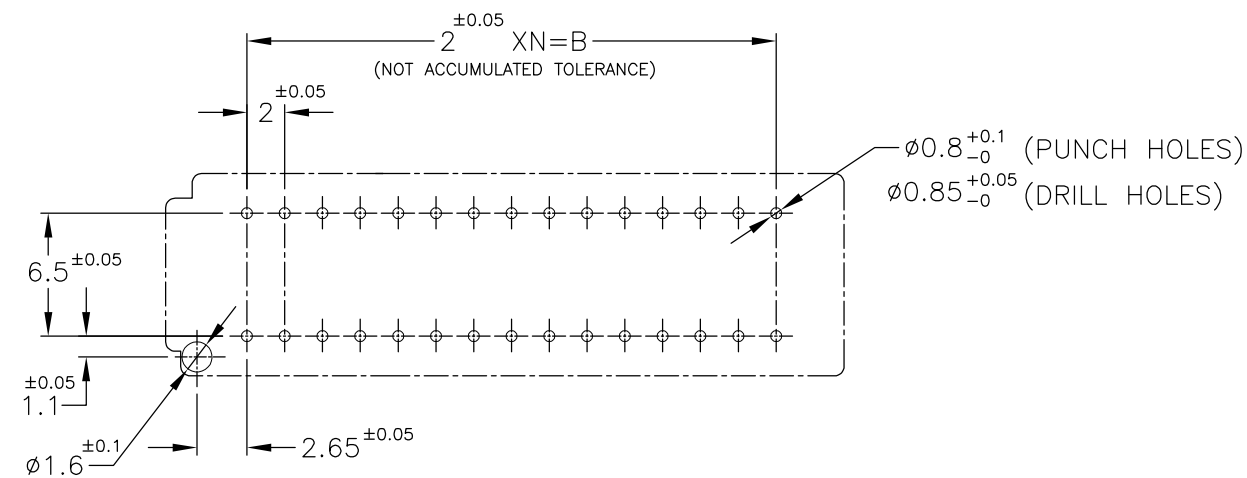
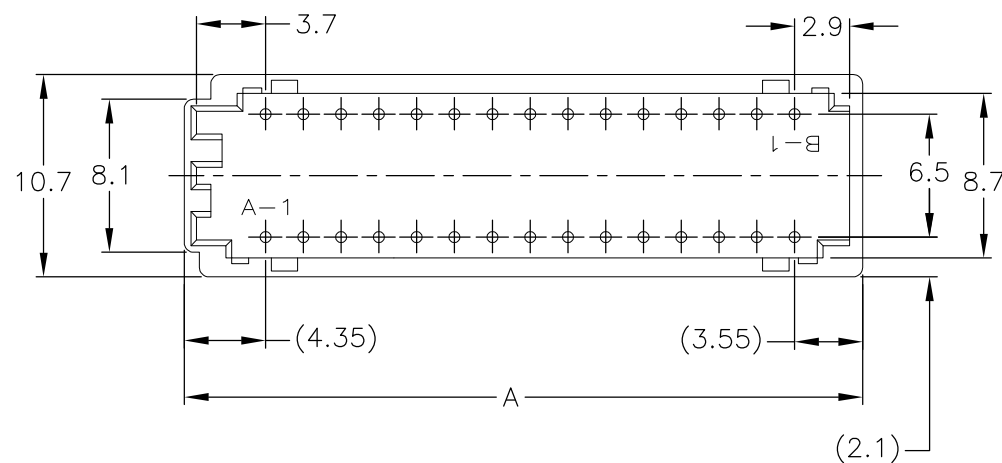
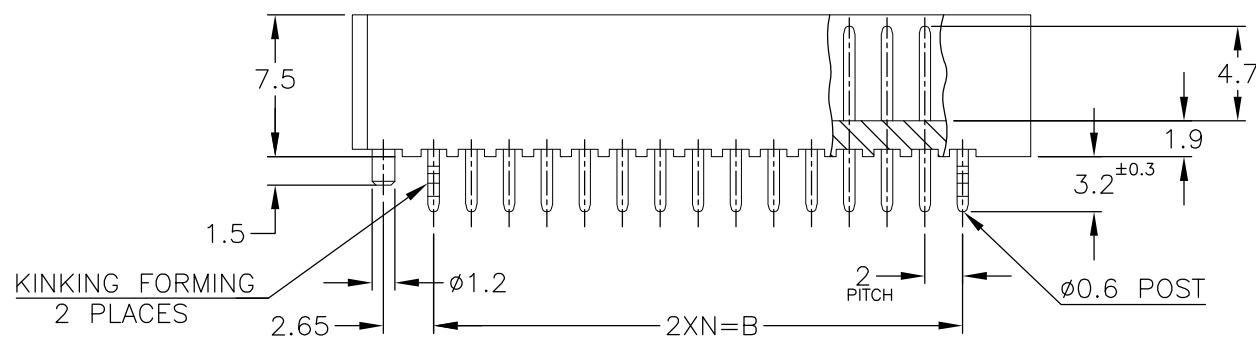


THIS DRAWING IS UNPUBLISHED. RELEASED FOR PUBLICATION  
 © COPYRIGHT - By - ALL RIGHTS RESERVED.

LOC	DIST	REVISIONS					
FB	00	P	LTR	DESCRIPTION	DATE	DWN	APVD
		P		REVISED PER ECO-11-005033	28MAR11	RK	HMR



P.C.B MOUNTING DIMENSIONS  
 (CONNECTOR MOUNT SIDE)  
 (P.C.B THK 1.6)



35.9	28.0	14	30	3-292141-0
33.9	26.0	13	28	2- -8
31.9	24.0	12	26	2- -6
29.9	22.0	11	24	2- -4
27.9	20.0	10	22	2- -2
25.9	18.0	9	20	2- -0
23.9	16.0	8	18	1- -8
21.9	14.0	7	16	1-292141-6
A	B	N	POS	P/N

NOTE  
 1 MATERIAL : HOUSING/66 NYLON UL94V-0 NATURAL  
 Ø0.6 POST/TIN BRASS 3/4H

TOLERANCES UNLESS OTHERWISE SPECIFIED:

10 ≥ *	: ±0.2
30 ≥ * > 10	: ±0.25
100 ≥ * > 30	: ±0.3
ANGEL	: ±3°

THIS DRAWING IS A CONTROLLED DOCUMENT.

DIMENSIONS: mm	TOLERANCES UNLESS OTHERWISE SPECIFIED:	DWN S.XU 31JAN03	TE Connectivity POST HEADER (VERTICAL) WITH BOSS CT DOUBLE ROW CONN.
	0 PLC ± - 1 PLC ± - 2 PLC ± - 3 PLC ± - 4 PLC ± - ANGLES ± -	CHK S.YAO 31JAN03	
		APVD T.SASAKI 31JAN03	
MATERIAL SEE NOTE	FINISH SEE NOTE	PRODUCT SPEC 108-60020	

NAME	SIZE	CAGE CODE	DRAWING NO	RESTRICTED TO
			A3 00779 C-292141	

CUSTOMER DRAWING SCALE NTS SHEET 1 OF 1 REV P

单击下面可查看定价，库存，交付和生命周期等信息

[>>TE Connectivity\(泰科\)](#)