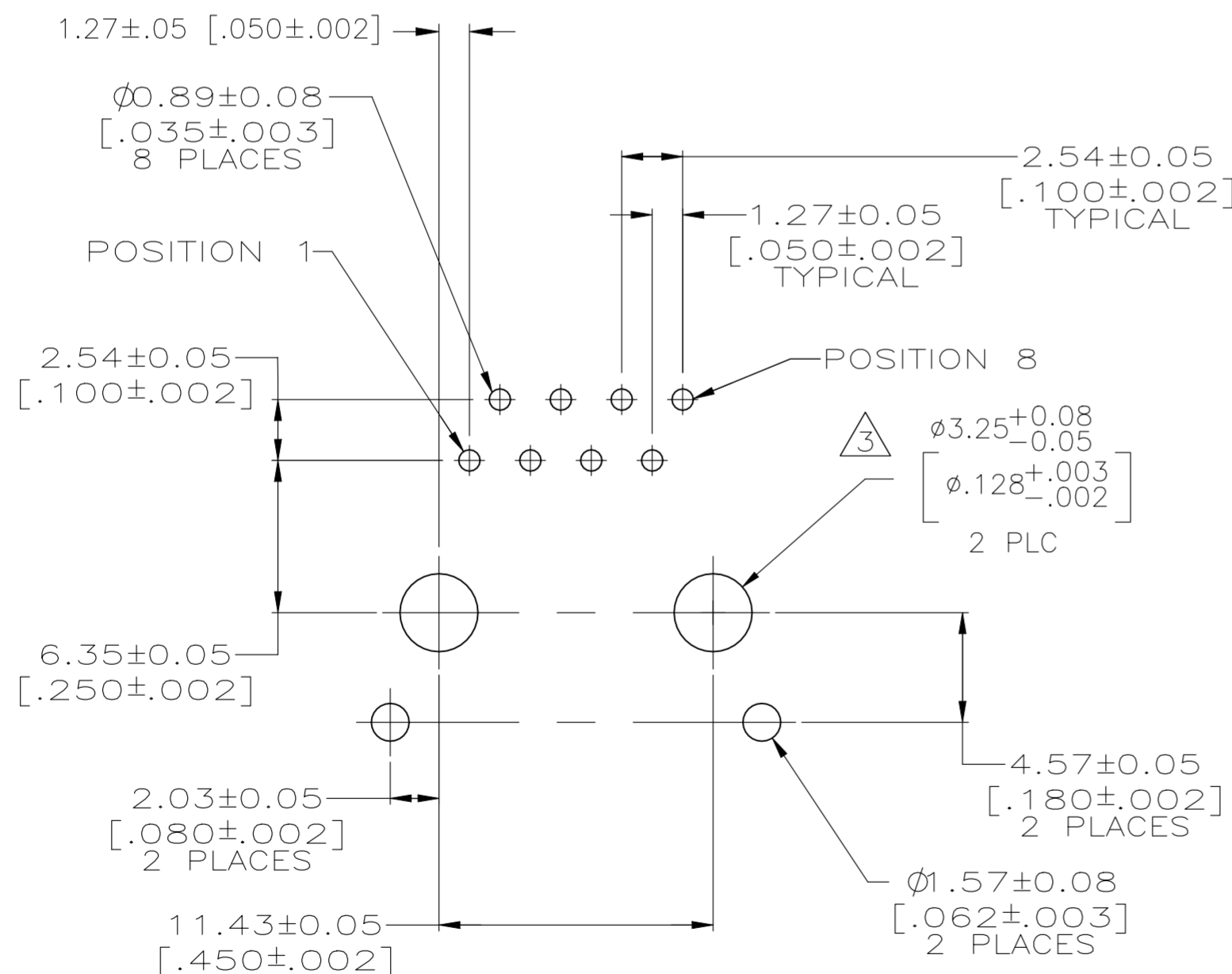
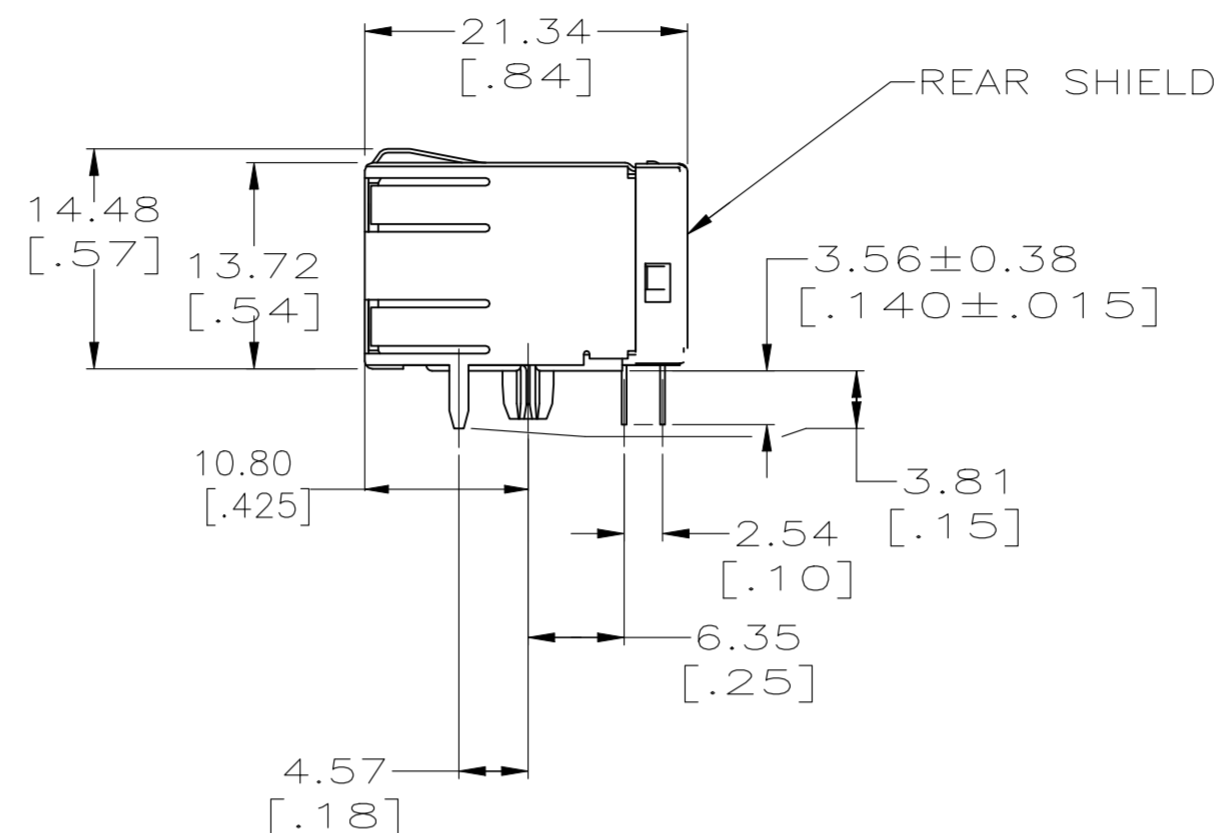
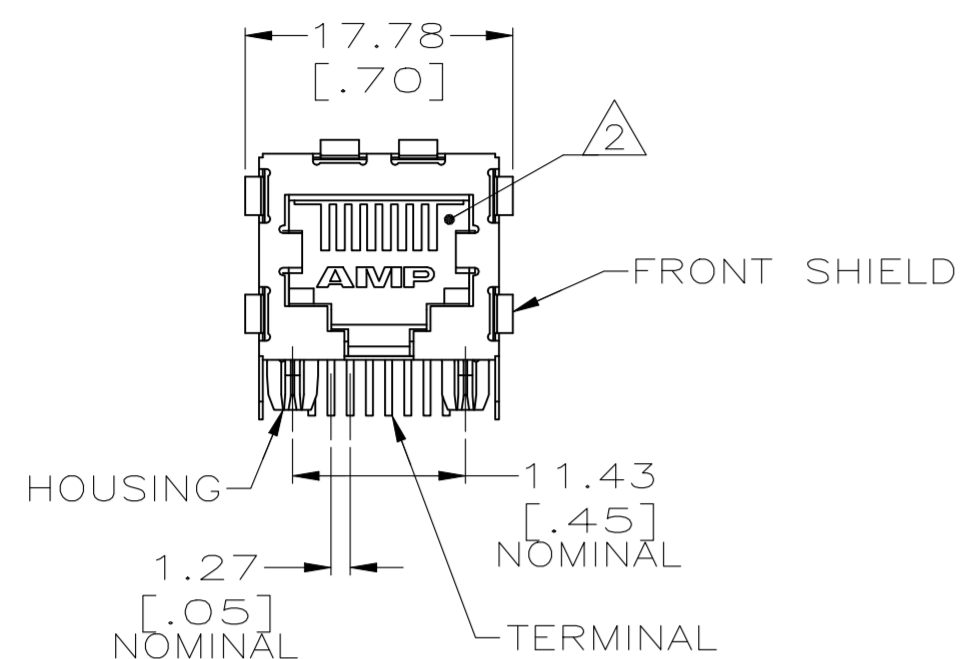


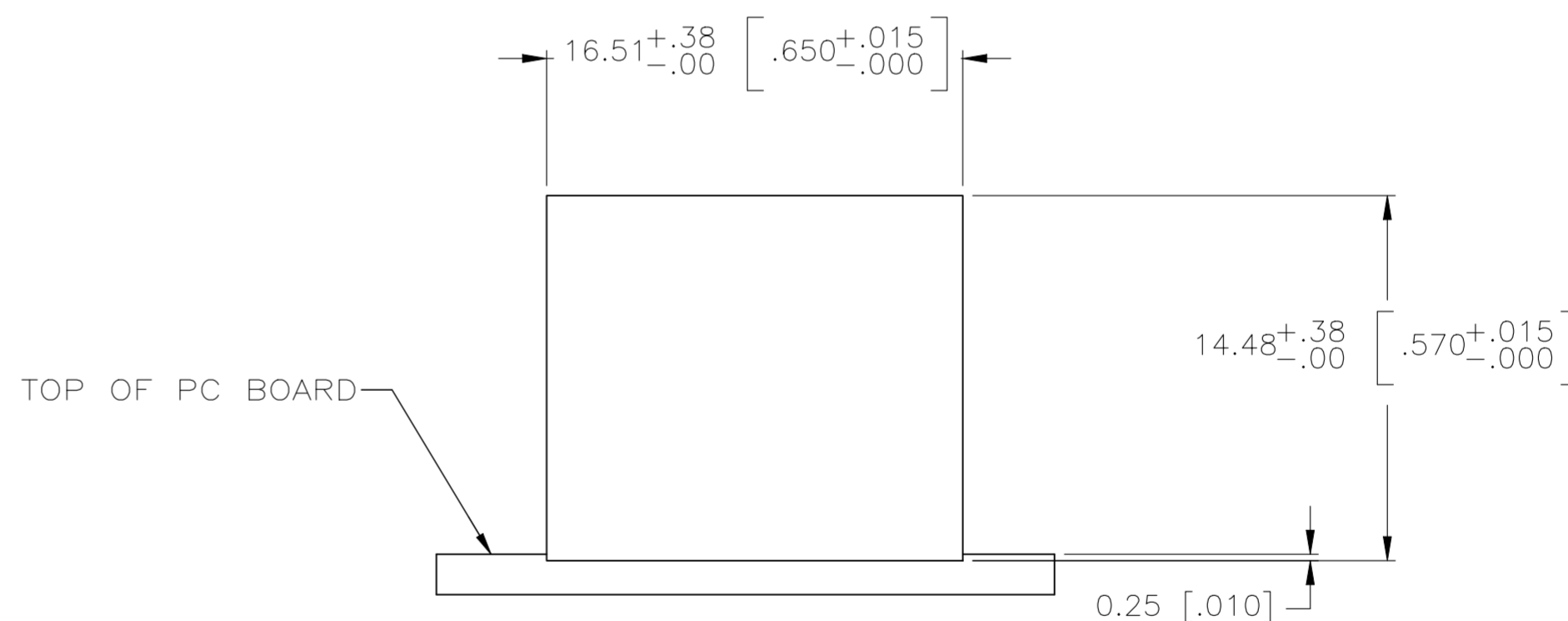
REVISIONS					
P	LTR	DESCRIPTION	DATE	DWN	APVD
D1		ECR-19-014657	13DEC2020	RR	SZ

1 MATERIAL: HOUSING - NYLON, COLOR: BLACK, UL 94V-0. OVERMOLDED TERMINAL ARRAY - PBT, BROWN. TERMINALS - 0.33[.013] THICK PHOS BRONZE PLATED WITH 1.27 μ m[.000050] MINIMUM THICK HARD GOLD IN LOCALIZED AREA AND 3.81 μ m [.000150] MINIMUM THICK MATTE TIN IN SOLDER AREA OVER 1.27 μ m[.000050] MINIMUM THICK NICKEL UNDERPLATE. SHIELDS - 0.25[.010] THICK COPPER ALLOY PLATED WITH 1.27 μ m[.000050] MINIMUM NICKEL AND 2.03 μ m [.000080] MINIMUM HOT TIN DIP ON PCB GROUND TABS.

- ② JACK CAVITY CONFORMS TO FCC RULES AND REGULATIONS, PART 68 SUBPART F.
- ③ USE #30 DRILL BIT OR 3.25mm DRILL BIT WHEN PRODUCING THESE PCB HOLES.
- ④ DIELECTRIC WITHSTANDING VOLTAGE BETWEEN SHIELD AND TERMINAL IS 1500 VAC
- ⑤ DIELECTRIC WITHSTANDING VOLTAGE BETWEEN SHIELD AND TERMINAL IS 2400 VAC



RECOMMENDED PC BOARD LAYOUT
COMPONENT SIDE (TOP)
SCALE 4:1



RECOMMENDED PANEL CUTOUT
SCALE 4:1

⑤	5406217-2
④	5406217-1
NOTE	PART NUMBER

THIS DRAWING IS A CONTROLLED DOCUMENT.		DWN T. SPRINKLE/L.A.MAYER 01JUNE2005	TE Connectivity	
DIMENSIONS: mm		CHK J.WESTMAN 01JUNE2005	NAME S.FLICKINGER	
TOLERANCES UNLESS OTHERWISE SPECIFIED:		APVD S.FLICKINGER 01JUNE2005	PRODUCT SPEC 108-1163-2	
0 PLC ± -		APPLICATION SPEC 114-2048		SIZE A2
1 PLC ± -		WEIGHT 0.000000		CAGE CODE 00779
2 PLC ± 0.25[.01]		CUSTOMER DRAWING		DRAWING NO C=5406217
3 PLC ± 0.13[.005]		SCALE 2:1		SHEET 1 of 1
4 PLC ± -		REV D1		RESTRICTED TO -
ANGLES ± -				
FINISH SEE NOTE 1				

单击下面可查看定价，库存，交付和生命周期等信息

[>>TE Connectivity\(泰科\)](#)