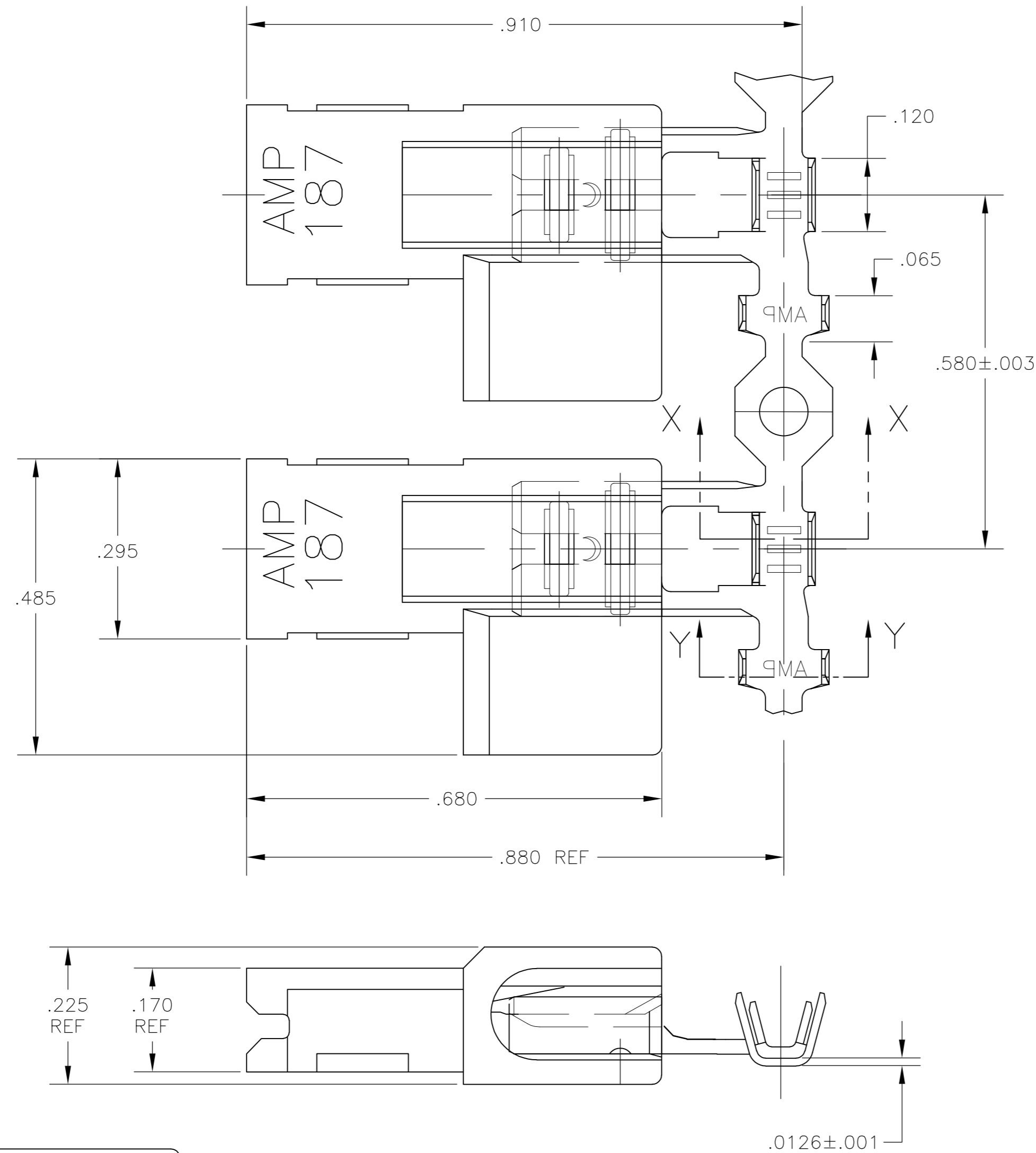
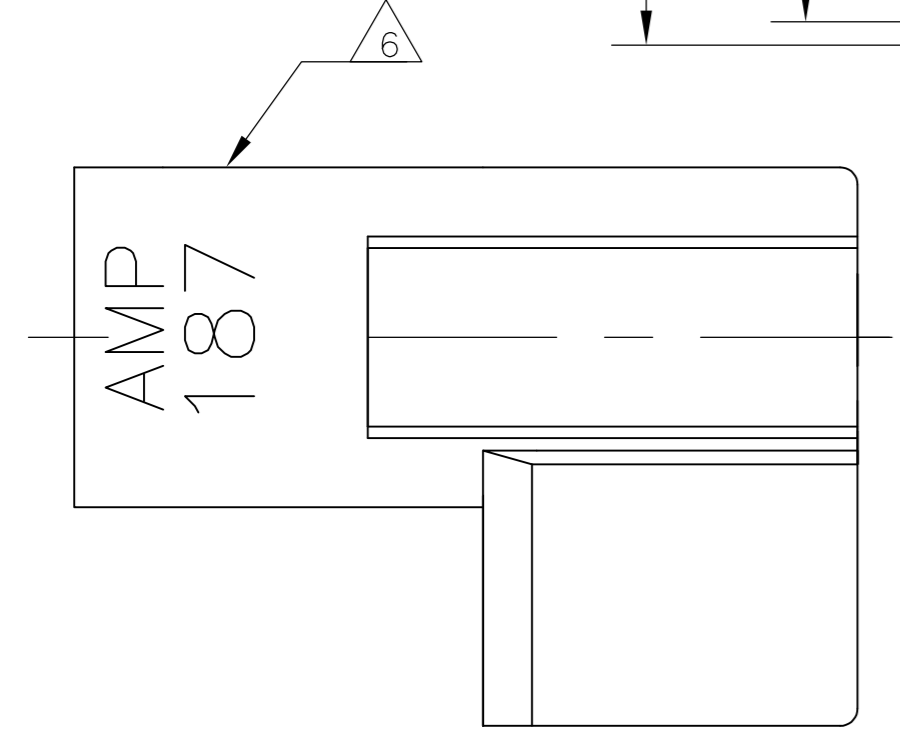
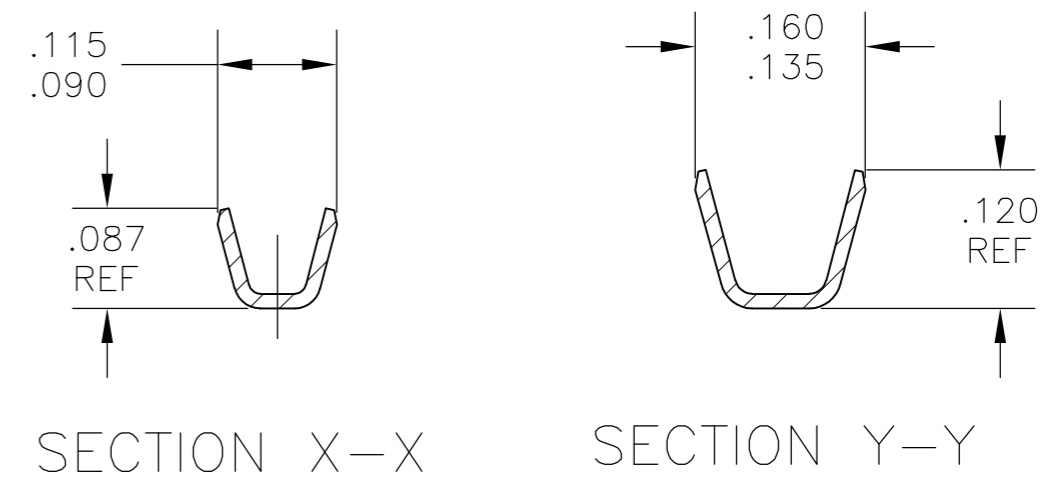


THIS DRAWING IS UNPUBLISHED. RELEASED FOR PUBLICATION  
 © COPYRIGHT - By - ALL RIGHTS RESERVED.

LOC		DIST		REVISIONS			
P	LTR	DESCRIPTION		DATE	DWN	APVD	
AF	50	F		REVISED PER ECR-12-013062	17DEC12	KH KR	



- 1 USE FLAG FASTON TERMINAL BASE
- 2 WIRE SIZE IS #22-#18 AWG
- 3 INSULATION RANGE IS .060-.110 DIA
- 4 MATERIAL;  
 TERMINAL: BRASS, FINISH: SEE TABLE  
 HOUSING: NYLON, NATURAL COLOR
- 5 FITS .187 X .020 THK FASTON TAB
- 6 ALTERNATIVE HOUSING FORM



THIS DRAWING IS A CONTROLLED DOCUMENT.		DWN	JR RUTH	30JUL03
DIMENSIONS: INCHES		CHK	J HUMMEL	24JUL03
TOLERANCES UNLESS OTHERWISE SPECIFIED:		APVD	KRISTY YI	24JUL03
0 PLC	± -	PRODUCT SPEC	NAME	
1 PLC	± -	APPLICATION SPEC	ASSEMBLY, RECPT, FLAG, ULTRA-POD, .187 SERIES	
2 PLC	± -		WIRE SIZE: 22-18 AWG	
3 PLC	± .010		SIZE	CAGE CODE
4 PLC	± -		A2	00779
ANGLES	± -	WEIGHT	SCALE	DRAWING NO
FINISH	SEE NOTES	CUSTOMER DRAWING	6:1	521596
MATERIAL: SEE NOTES		RESTRICTED TO	SHEET	REV
			1 of 1	F

.000040 MIN TIN PLATE	521596-2
NO PLATING	521596-1
TERMINAL: FINISH	PART NO.



单击下面可查看定价，库存，交付和生命周期等信息

[>>TE Connectivity\(泰科\)](#)