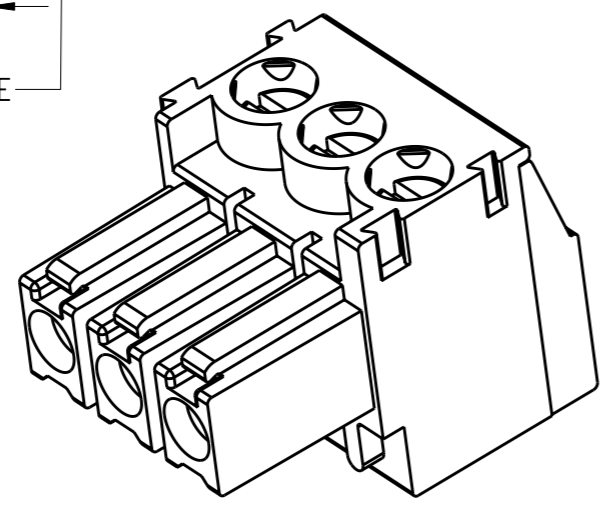
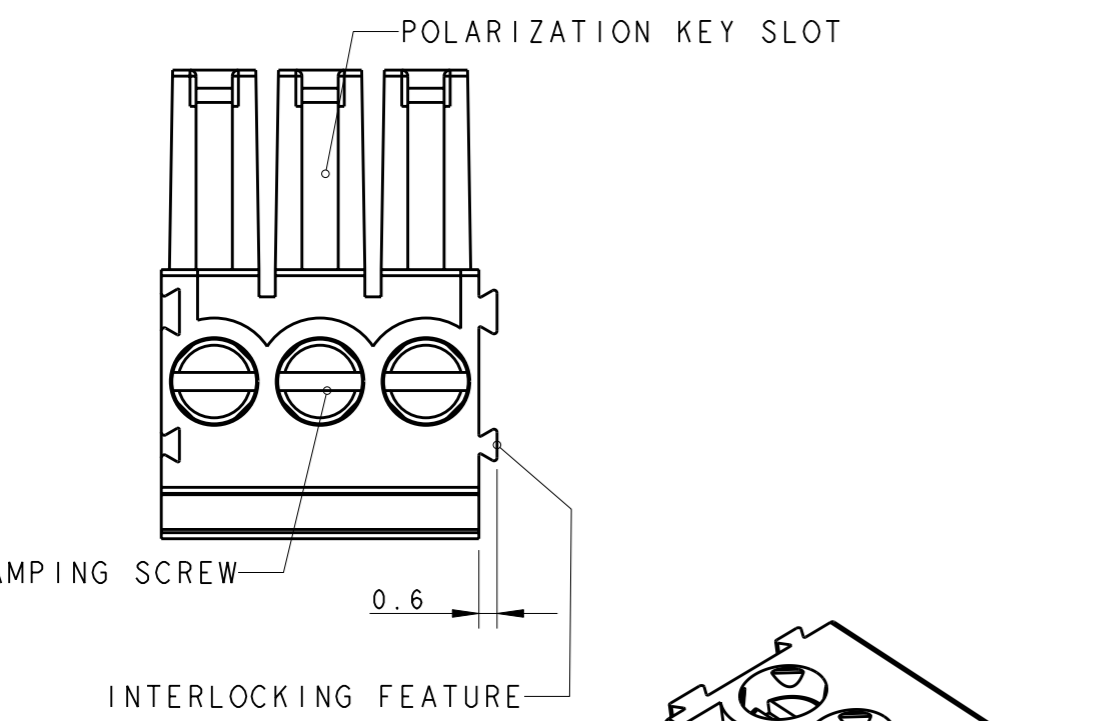
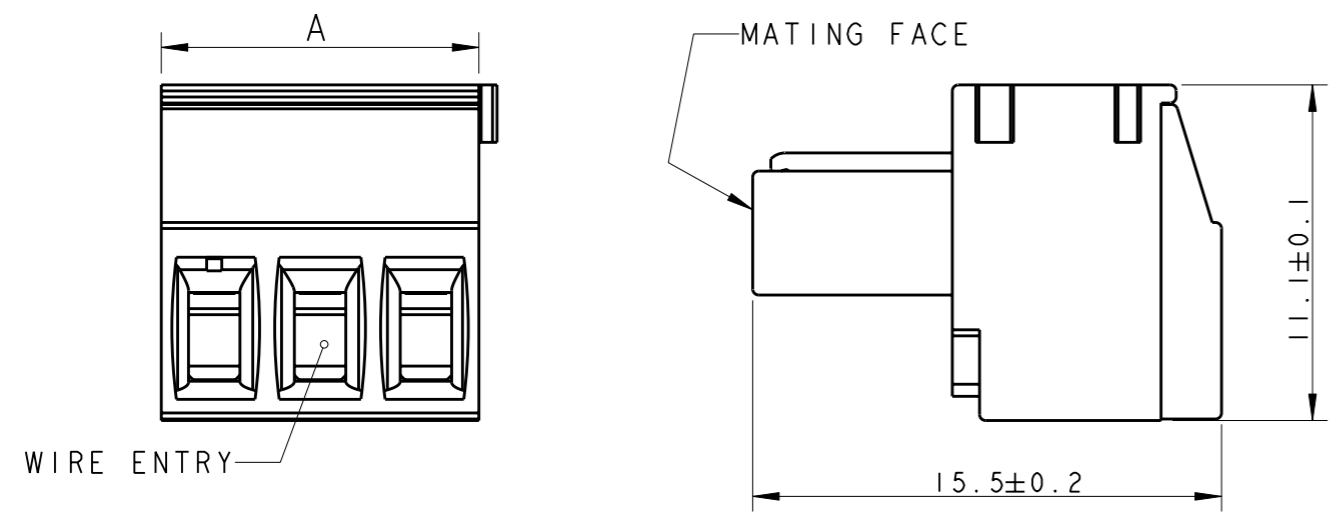


THIS DRAWING IS UNPUBLISHED. RELEASED FOR PUBLICATION 20  
 © COPYRIGHT 20 BY TYCO ELECTRONICS CORPORATION. ALL RIGHTS RESERVED.

LOC	DIST	REVISIONS			
P	LTR	DESCRIPTION	DATE	DWN	APVD
FT	0	B1	REVISED PER ECO-11-005009	12MAR2011	HMR CR



P/N 284509-3 AS SHOWN

- 1 MATERIALS AND FINISH  
 HOUSING : PA 6.6, UL 94-V0, COLOR GREEN  
 CLAMP : BRASS, NICKEL PLATED  
 TERMINAL : BRASS, TIN PLATED  
 CONTACT SPRING : PHOSPHOR BRONZE, TIN PLATED  
 CLAMPING SCREW : M2, BRASS, NICKEL PLATED
- 2 END-TO-END STACKABLE W/INTERLOCK WITHOUT LOSS OF CENTERLINE SPACING
- 3 WIRE SIZE RANGE  
 14 - 30 AWG
- 4 NOT CUMULATIVE TOLERANCE

DIM A	NO OF POS	PART NUMBER
95.25	25	2-284509-5
91.44	24	2-284509-4
87.63	23	2-284509-3
83.82	22	2-284509-2
80.01	21	2-284509-1
76.20	20	2-284509-0
72.39	19	1-284509-9
68.58	18	1-284509-8
64.77	17	1-284509-7
60.96	16	1-284509-6
57.15	15	1-284509-5
53.34	14	1-284509-4
49.53	13	1-284509-3
45.72	12	1-284509-2
41.91	11	1-284509-1
38.10	10	1-284509-0
34.29	9	284509-9
30.48	8	284509-8
26.67	7	284509-7
22.86	6	284509-6
19.05	5	284509-5
15.24	4	284509-4
11.43	3	284509-3
7.62	2	284509-2

<small>THIS DRAWING IS A CONTROLLED DOCUMENT FOR TYCO ELECTRONICS CORPORATION IT IS SUBJECT TO CHANGE AND THE CONTROLLING ENGINEERING ORGANIZATION SHOULD BE CONTACTED FOR THE LATEST REVISION.</small>		DWN 06FEB2002 E. ZANOLINI		Tyco Electronics Harrisburg, PA 17105-3608	
DIMENSIONS: mm		TOLERANCES UNLESS OTHERWISE SPECIFIED: 0 PLC ±.3 1 PLC ±.3 2 PLC ±.25 3 PLC ±. 4 PLC ±. ANGLES ±2		NAME TERMINAL BLOCK PLUG STACKING WITH INTERLOCK 3.81mm PITCH	
MATERIAL		FINISH		PRODUCT SPEC 108-20166	
APPLIC. SPEC 114-20079		WEIGHT -		SIZE A3 CAGE CODE 00779 DRAWING NO C-284509 RESTRICTED TO -	
CUSTOMER DRAWING				SCALE 4:1 SHEET 1 OF 1 REV B1	

单击下面可查看定价，库存，交付和生命周期等信息

[>>TE Connectivity\(泰科\)](#)