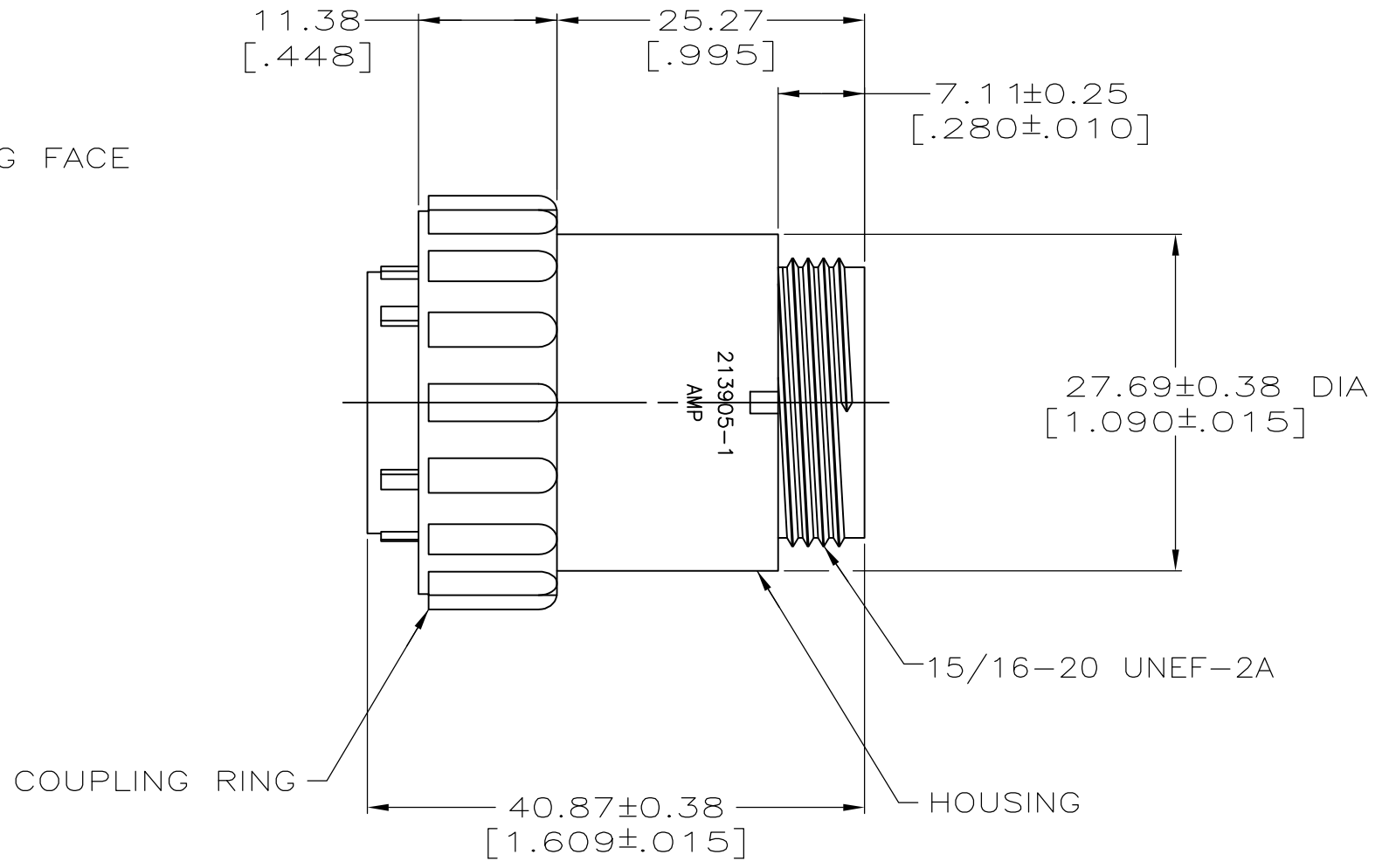
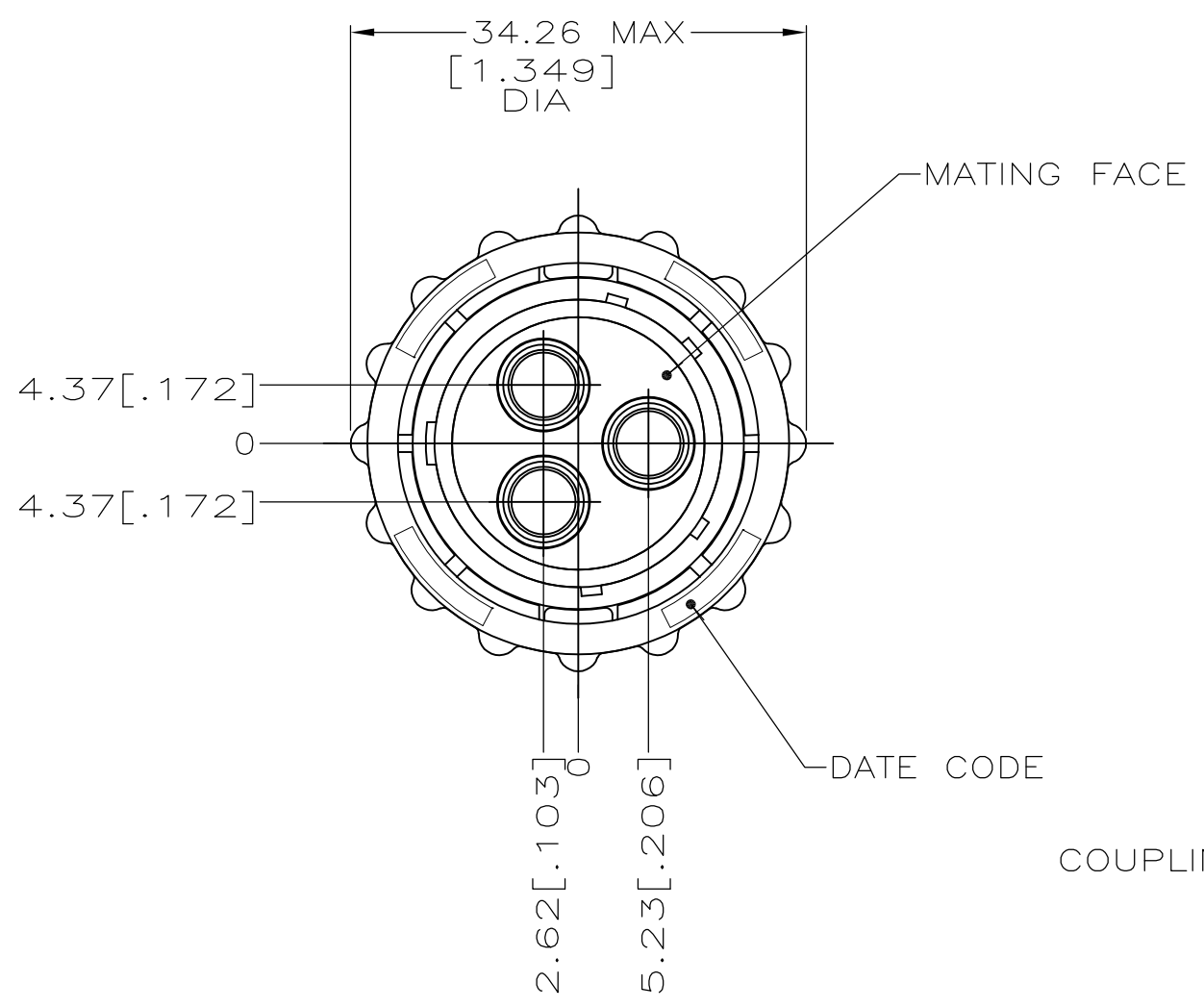


LOC	DIST	REVISIONS					
FT	0	P	LTR	DESCRIPTION	DATE	DWN	APVD
		D1		REVISED PER ECO-11-004917	11MAR11	RK	HMR



213905-1
PART NUMBER

⚠ HOUSING: GLASS FILLED NYLON, 6/6, BLACK
 COUPLING RING: POLYESTER, BLACK

THIS DRAWING IS A CONTROLLED DOCUMENT.		DWN D.HARDY 07/04/95	TE Connectivity	
DIMENSIONS: MM[INCHES]		CHK W.G.LENKER 07/05/95		
TOLERANCES UNLESS OTHERWISE SPECIFIED:		APVD A.FRANTUM 07/05/95	NAME PLUG ASSEMBLY, REVERSE SEX, 17-3, SERIES 5, CIRCULAR PLASTIC CONNECTOR	
		PRODUCT SPEC -	SIZE A3	
MATERIAL ⚠		APPLICATION SPEC -	CAGE CODE 00779	DRAWING NO C-213905
FINISH -		WEIGHT -	RESTRICTED TO -	
CUSTOMER DRAWING			SCALE 2:1	SHEET 1 of 1
			REV D1	

单击下面可查看定价，库存，交付和生命周期等信息

[>>TE Connectivity\(泰科\)](#)