


NOTES: UNLESS OTHERWISE SPECIFIED.

- 1) PART NUMBER CHANGES AND/OR DESIGN CHANGES AFFECTING ITEM INTERCHANGEABILITY REQUIRE PRIOR ELCON APPROVAL AND AUTHORIZATION BY REVISION TO THIS DRAWING.
- 2) ITEMS PROVIDED TO THIS SPECIFICATION TO BE PERMANENTLY IDENTIFIED WITH THE FOLLOWING MINIMUM INFORMATION: PART NUMBER, DATE CODE AND MFG. I.D., CUST. PART NO. 46186A00 & REV. LEVEL 00.
- 3) UNLESS OTHERWISE SPECIFIED, DIMENSIONS ARE IN INCHES. TOLERANCES ARE ANGLES $\sim \pm 5^\circ$ FRACTIONS $\sim \pm 1/32$ DECIMALS .XXX $\sim \pm .005$ AND DECIMALS .XX $\sim \pm .01$
4. MATERIAL: HOUSING \sim POLYESTER, 30% G.F., UL 94V-0, GRAY
 SOCKET BODY \sim ZINC OR EQUIVALENT.
 SOCKET ACTIVE ELEMENT \sim BeCu
 WIRE \sim COPPER, #6 AWG, 7/150/36 STRANDING.
 NEW ENGLAND WIRE #7X150/36TC OR APPRV. EQUIV.
 TERMINAL \sim #10, 6 AWG, AMP STYLE #321298 OR EQUIV.
 SLEEVING \sim MARKEL "CONFORM-A-SLEEVE" OR EQUIV.
5. FINISH: SOCKET BODY \sim SILVER PER QQ-S-365, .0002 MIN. OVER
 NICKEL PER MIL-C-26074, .00004 MIN.
 SOCKET ACTIVE ELEMENT \sim SILVER PLATE PER QQ-S-365,
 .0002 MIN. OVER NICKEL PER
 QQ-N-290, .00004 MIN.
 WIRE \sim TIN COATED

ⓑ

APPROVAL	SF 22MAY06																			
ECO NO.	RELEASED																			
REVISION LETTER	A																			
SHEET NUMBER																				

DRFT.	DATE	 PRODUCTS INTERNATIONAL COMPANY	P.O. Box 1885 Fremont, California 94538
GRZYB.	6.28.90		
CHK.	-	TITLE CUSTOMER USE DRAWING CONNECTOR, SOCKET, BLADE TYPE (2), PD62	
APPVD.	-		
APPVD.	-		
ACAD FILE NO.	FSCM NO.	DWG. NO.	SHEET
6648216			1 OF 3
BACK	Downloaded From Oneyac.com	11	C-6643216

6. PERFORMANCE REQUIREMENTS:

CONTACT INSERTION FORCE ~ 4 LBS. MAX. WITH 14 CONTACT ELEMENTS ENGAGED
 USING A .064 MIN. THICK STEEL BLADE,
 WITH SURFACE FINISH OF 2-4 MICROINCHES.

ⓑ

CONTACT WITHDRAWAL FORCE ~ 1 LB. MIN WITH 14 CONTACT ELEMENTS ENGAGED
 USING A .060 MAX. THICK STEEL BLADE,
 WITH SURFACE FINISH OF 2-4 MICROINCHES.

ⓑ

DURABILITY ~ 50 CYCLES MIN.

CONTACT FLOAT ~ VERTICAL .022 MIN. & HORIZONTAL .015 MIN.

WIRE STRENGTH ~ 100 LBS. MIN. PULL TEST.

WIRE RETENTION FORCE ~ BODY/WIRE/LUG 100 LBS. PULL TEST.

INSERTION TEST BLADE ~ .928 MIN. (SEE DETAIL A).

CONTACT DEFLECTION (14 CONTACT ELEMENTS) ~ $\leq .004$

ELECTRICAL (22° ± 3° C)

CONTACT CURRENT RATING ~ 125A AT 30° C MAX. TEMP. RISE.

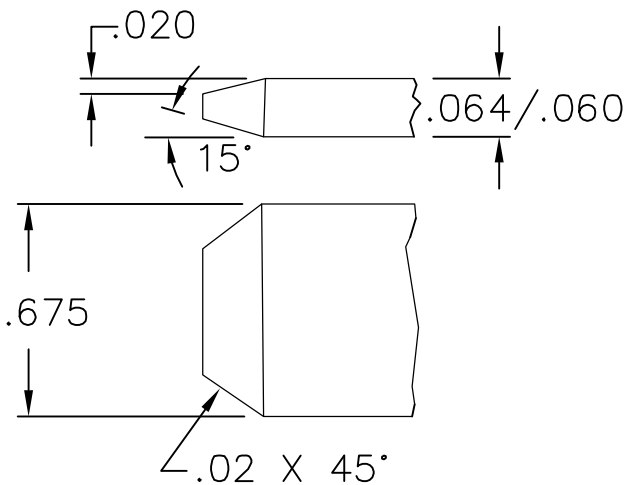
CONNECTOR VOLTAGE DROP ~ 125A WITH .060 MAX. THICK COPPER BLADE,
 SILVER PLATED, .0002 (14 CONTACT ELEMENTS)

V1 = 10.6 mV MAX. V2 = 28 mV MAX.

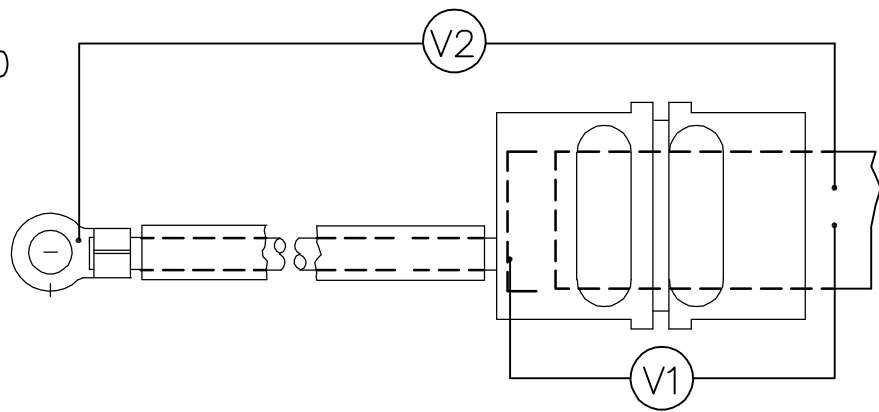
(SEE DETAIL B)

CONTACT RESISTANCE ~ TBD


CONTACT ELEMENT RATING ~ 12.5A MAX. (SEE DETAIL B).

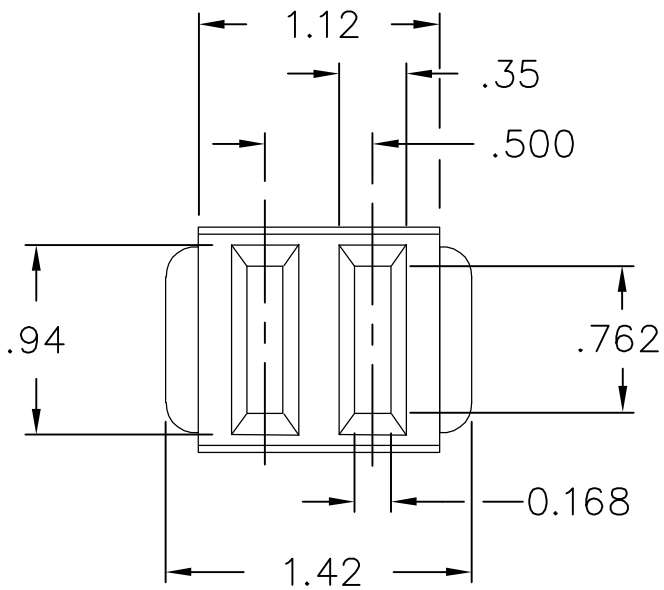


DETAIL A

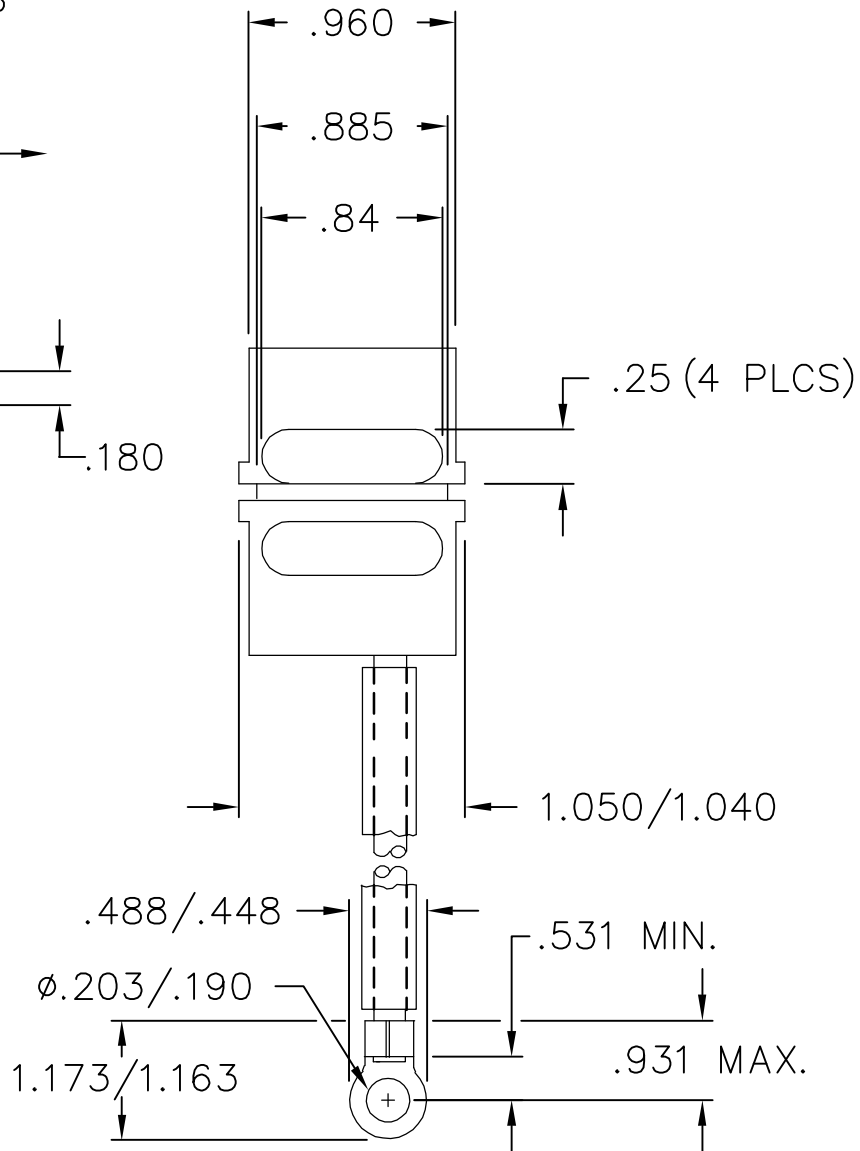
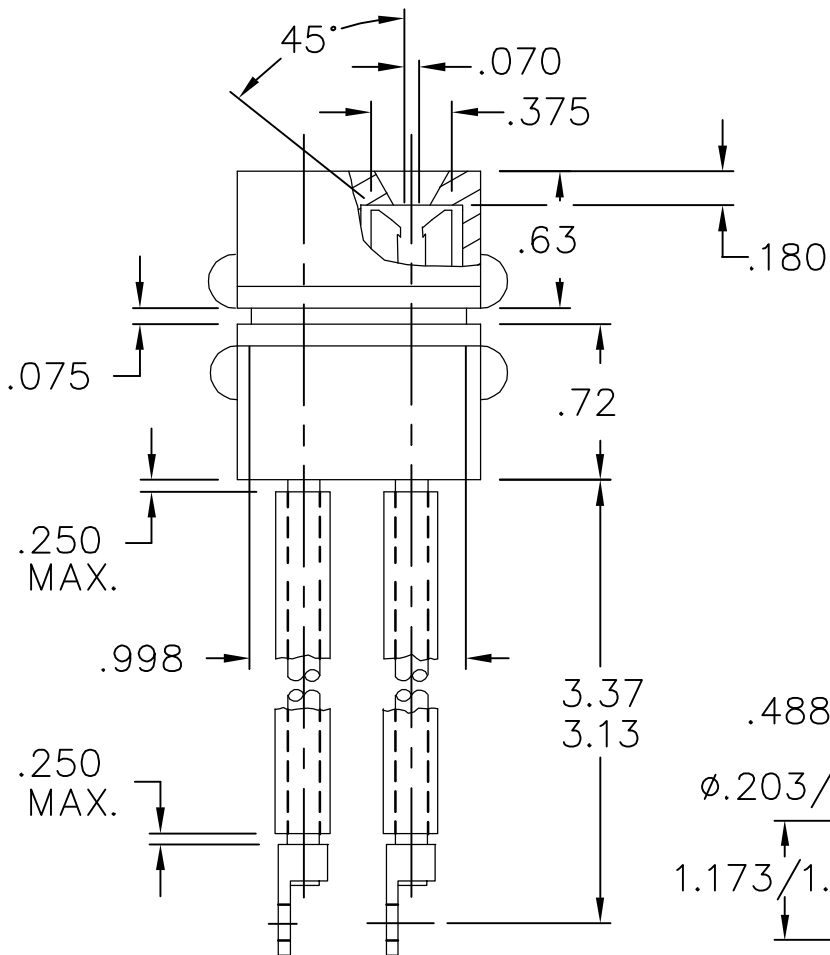


DETAIL B

REVISION: A	DRFT. GRZYB.	DATE 22MAY06		P.O. Box 1885 Fremont, California 94538	
	CHK. -	-		TITLE CUSTOMER USE DRAWING CONNECTOR, SOCKET, BLADE TYPE (2), PD62	
	APPVD. -	-			
	APPVD. -	-			
	ACAD FILE NO. 6648216	FSCM NO. - - - 11	DWG. NO. C-6643216	SHEET 2 OF 3	
BACK	Downloaded From Oneyac.com				



← VERTICAL DIRECTION →



DRFT. GRZYB.	DATE 22MAY06
CHK. -	-
APPVD. -	-
APPVD. -	-
ACAD FILE NO. 6648216	
BACK	Downloaded From Oneyac.com



P.O. Box 1885
Fremont, California
94538

TITLE CUSTOMER USE DRAWING
CONNECTOR, SOCKET, BLADE
TYPE (2), PD62

FSCM NO.

DWG. NO.

SHEET

05001

C-6643216

3 OF 3

REVISION: A

单击下面可查看定价，库存，交付和生命周期等信息

[>>TE Connectivity\(泰科\)](#)