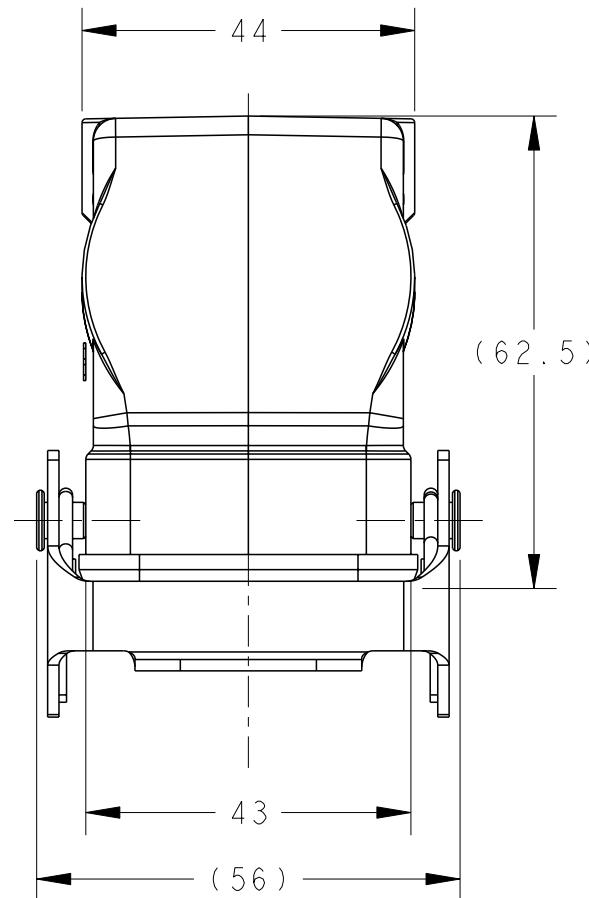
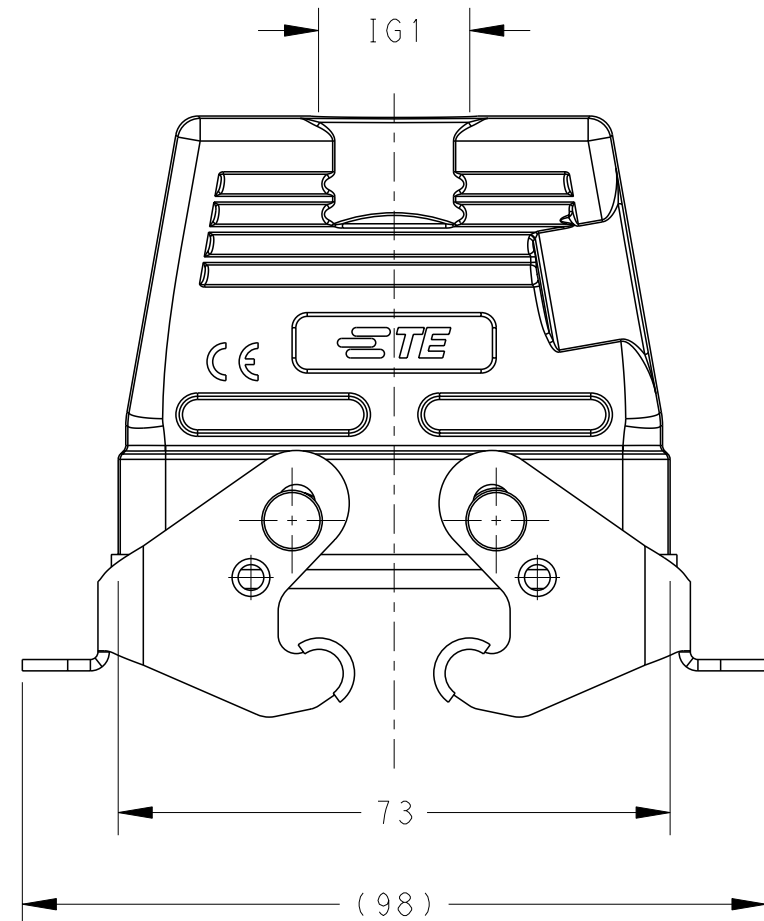


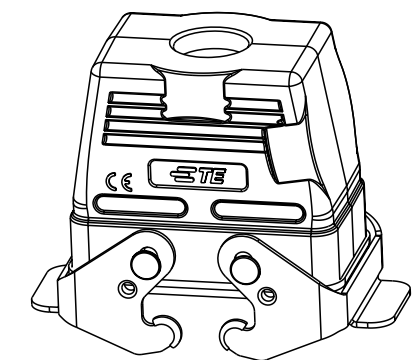
THIS DRAWING IS UNPUBLISHED. RELEASED FOR PUBLICATION 20  
 © COPYRIGHT 20 BY - ALL RIGHTS RESERVED.

REVISIONS					
P	LTR	DESCRIPTION	DATE	DWN	APVD
	A	INITIAL	23JUN2015	DW	CW
	B	ECR-20-008181	22JUL2020	WQR	CW
	B1	ECR-21-103925	07JUN2021	WQR	CW

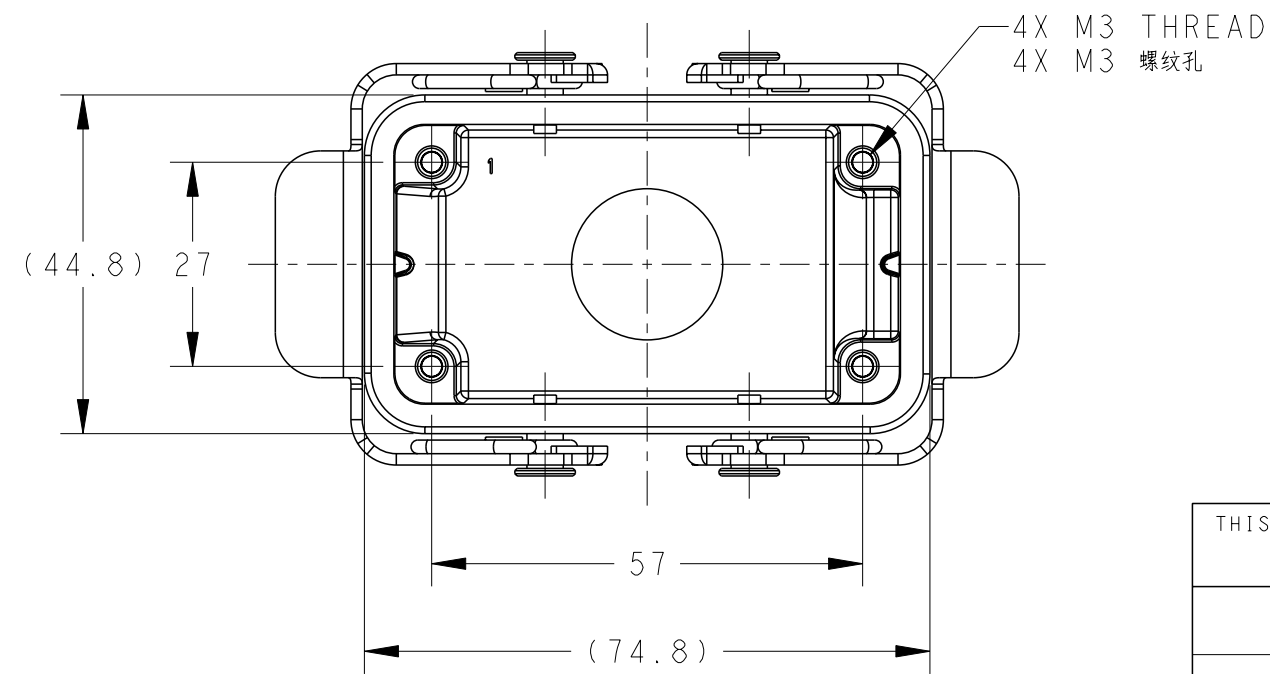


NOTES:  
 1. TECHNICAL CHARACTERISTICS:  
 HOUSING MATERIAL: DIE CAST ALUMINIUM ALLOY  
 SURFACE: POWDER COATED, GREY  
 DEGREE OF PROTECTION: IP65 (MATED)

注释:  
 1. 技术参数:  
 下壳材料: 铝合金  
 表面处理: 粉末涂层, 灰色  
 防护等级: IP65(配合)



SCALE 1:2



T1710102116-000	H10B-TBF-PG16	H10B HOUSING, CABLE-TO-CABLE, METAL DOUBLE LOCKING, PG16, POWDER COATED, GREY H10B下壳, 电缆对接, 彩锌双扣, PG16, 灰色粉末喷涂	PG16
T1710102120-000	H10B-TBF-M20	H10B HOUSING, CABLE-TO-CABLE, METAL DOUBLE LOCKING, M20, POWDER COATED, GREY H10B下壳, 电缆对接, 彩锌双扣, M20, 灰色粉末喷涂	M20
T1710102125-000	H10B-TBF-M25	H10B HOUSING, CABLE-TO-CABLE, METAL DOUBLE LOCKING, M25, POWDER COATED, GREY H10B下壳, 电缆对接, 彩锌双扣, M25, 灰色粉末喷涂	M25
PART NUMBER 料号	PART DESCRIPTION 描述		IG1

THIS DRAWING IS A CONTROLLED DOCUMENT.		DWN 23JUN2015 David Wang	TE Connectivity	
DIMENSIONS: mm		CHK 23JUN2015 Chris Wang		
TOLERANCES UNLESS OTHERWISE SPECIFIED:		APVD 23JUN2015 Xiang Xu	NAME H10B-TBF-M/PG	
0 PLC ±- 1 PLC ±- 2 PLC ±- 3 PLC ±- 4 PLC ±- ANGLES ±-		PRODUCT SPEC 108-137013	RESTRICTED TO	
MATERIAL		APPLICATION SPEC 114-137013	SIZE A3	CAGE CODE 00779
FINISH		WEIGHT	DRAWING NO C-T17101021XX000	
		Customer Drawing	SCALE 1:1	SHEET 1 OF 1
			REV B1	

printed on 17 Jun 2021 19:51 (China Standard Time) from TE343646

单击下面可查看定价，库存，交付和生命周期等信息

[>>TE Connectivity\(泰科\)](#)