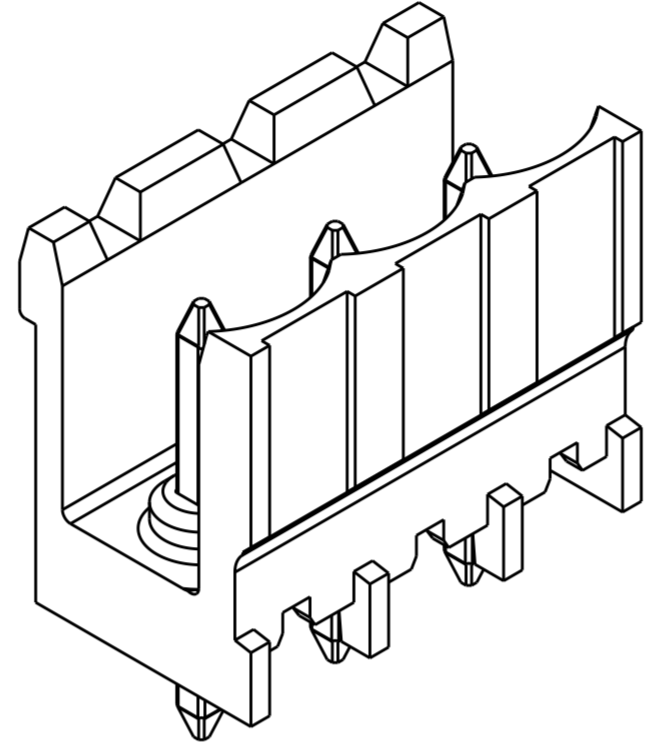
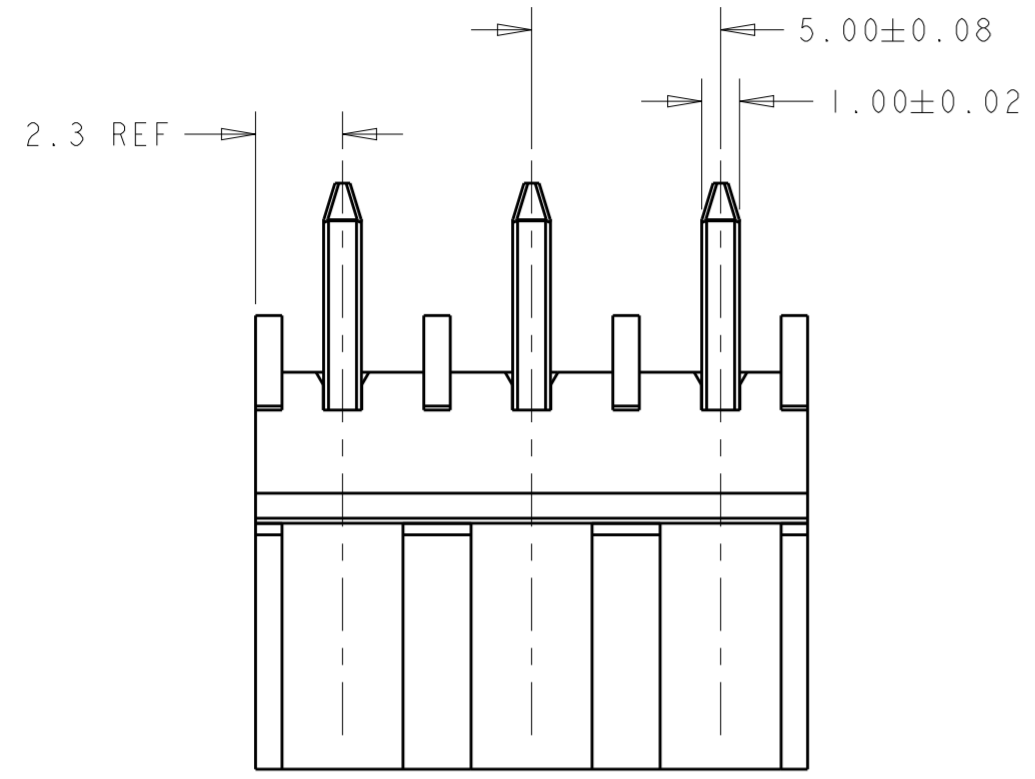


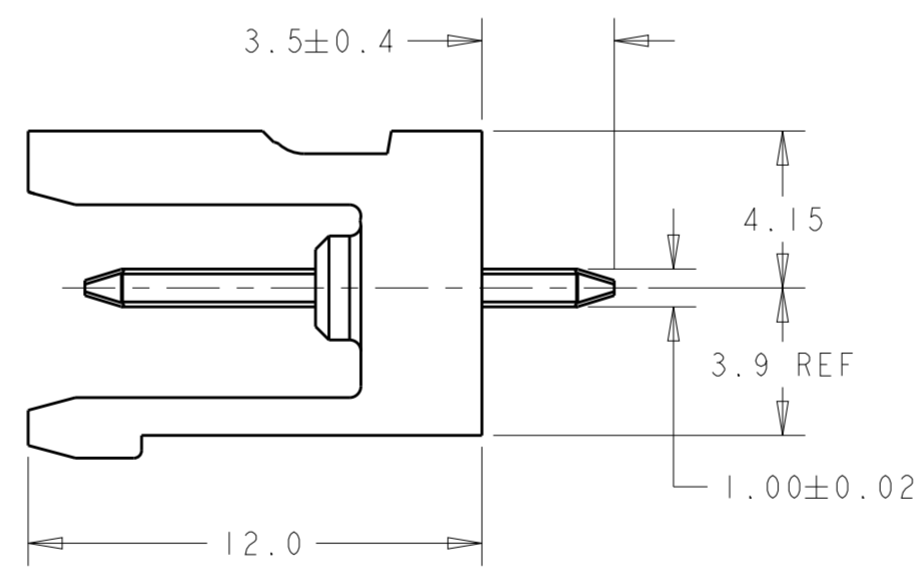
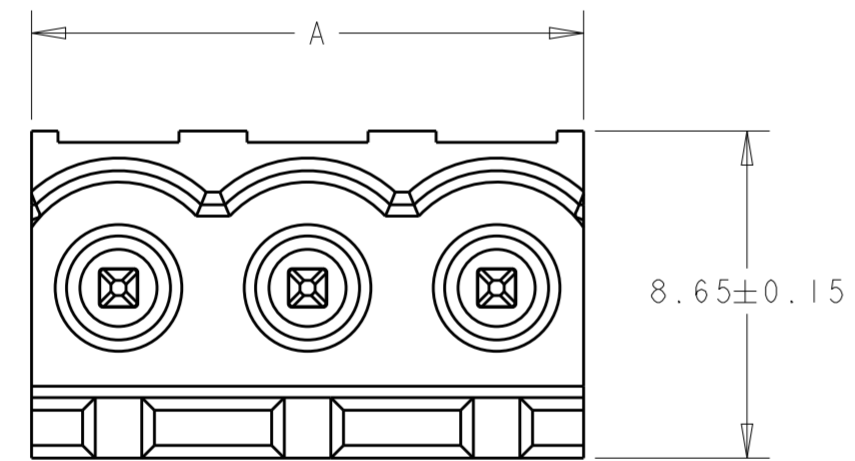
THIS DRAWING IS UNPUBLISHED. RELEASED FOR PUBLICATION 20
 © COPYRIGHT 20 Tyco Electronics AMP GmbH ALL RIGHTS RESERVED.

LOC	DIST	REVISIONS					
FT	0	P	LTR	DESCRIPTION	DATE	DWN	APVD
			A3	REVISED PER ECO-14-008217	02JUN2014	NK	MM

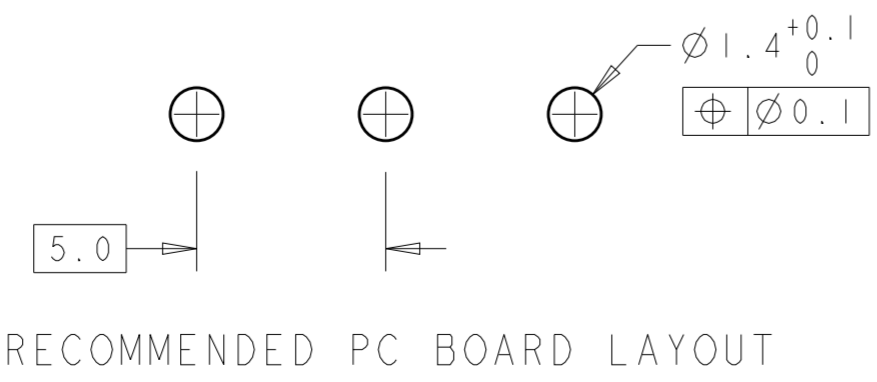


1776138-3 AS SHOWN

- 1 MATERIALS AND FINISH
 HOUSING: HIGH TEMPERATURE POLYAMIDE, UL 94V-0 RATED,
 COLOR: BLACK.
 TERMINAL: COPPER ALLOY, TIN PLATED.
- 2. SUITABLE FOR 1,6-2,4mm PC BOARD THICKNESS.
- 3. END-TO-END STACKABLE WITHOUT LOSS OF CENTERLINE SPACING.
- 4. RECOGNIZED UNDER THE COMPONENT PROGRAM OF UNDERWRITERS LABORATORIES INC., FILE N° E60677.
- 5. IMQ CERTIFICATE WITH SURVEILLANCE IN CONFORMITY WITH IEC 998-1/998-2-1.
- 6. UL RATING: 300V, 15A.
- 7 TAPE AND REEL PACKAGING
- 8 PRELIMINARY-NOT FOR PRODUCTION



8	7	14.6	3	1-1776138-4
8	7	9.6	2	1-1776138-3
		59.6	12	1-1776138-2
		54.6	11	1-1776138-1
		49.6	10	1-1776138-0
		44.6	9	1776138-9
		39.6	8	1776138-8
		34.6	7	1776138-7
		29.6	6	1776138-6
		24.6	5	1776138-5
		19.6	4	1776138-4
		14.6	3	1776138-3
		9.6	2	1776138-2
A		NO OF POSN		PART NUMBER



THIS DRAWING IS A CONTROLLED DOCUMENT.

DIMENSIONS:	TOLERANCES UNLESS OTHERWISE SPECIFIED:	DWN	03JUN2005
mm	0 PLC ±-	CHK	S. WELDON 03JUN2005
	1 PLC ±.2	CHK	C. RICHARD 03JUN2005
	2 PLC ±.25	APVD	C. RICHARD 03JUN2005
	3 PLC ±-	PRODUCT SPEC	108-20166
	4 PLC ±-	APPLICATION SPEC	114-20079
ANGLES	±2°	WEIGHT	-
FINISH		Customer Drawing	

STE TE Connectivity

NAME: TERMINAL BLOCK HEADER ASSEMBLY
 180 DEGREE, OPEN ENDS, STACKING
 5.00mm PITCH

SIZE: A2 CAGE CODE: 00779 DRAWING NO: C-1776138 RESTRICTED TO: -

SCALE: 5:1 SHEET 1 OF 1 REV: A3

单击下面可查看定价，库存，交付和生命周期等信息

[>>TE Connectivity\(泰科\)](#)