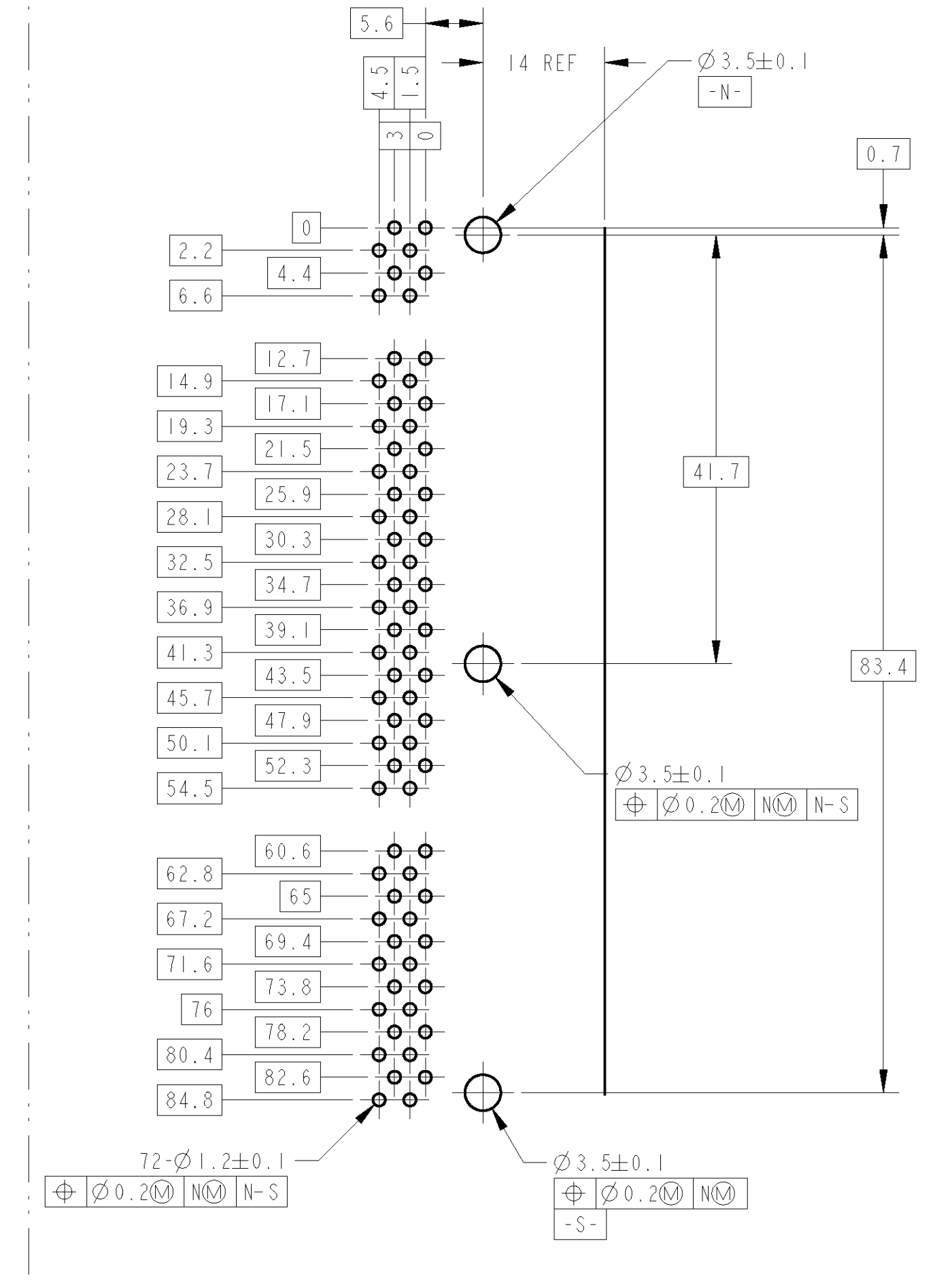
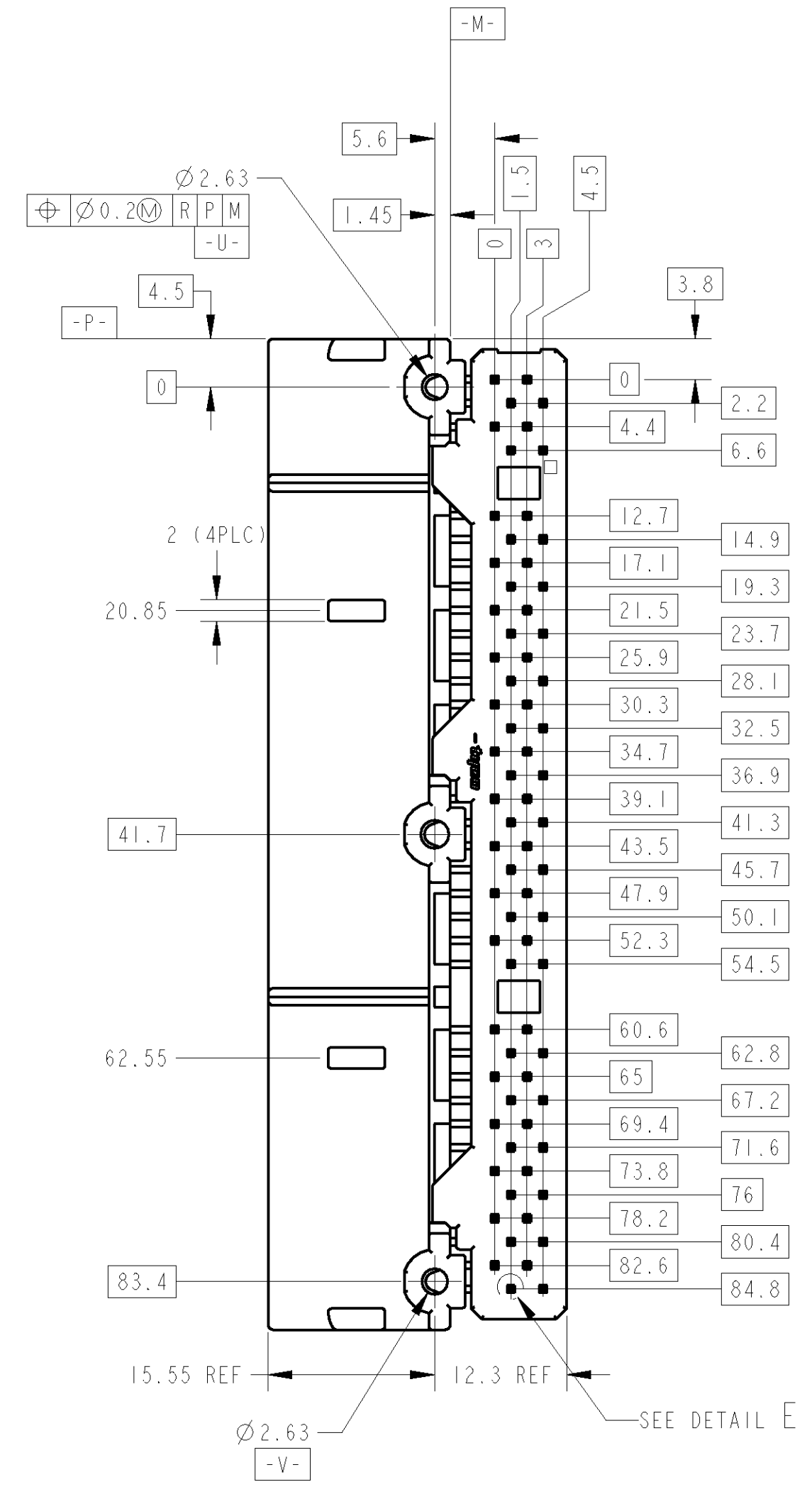
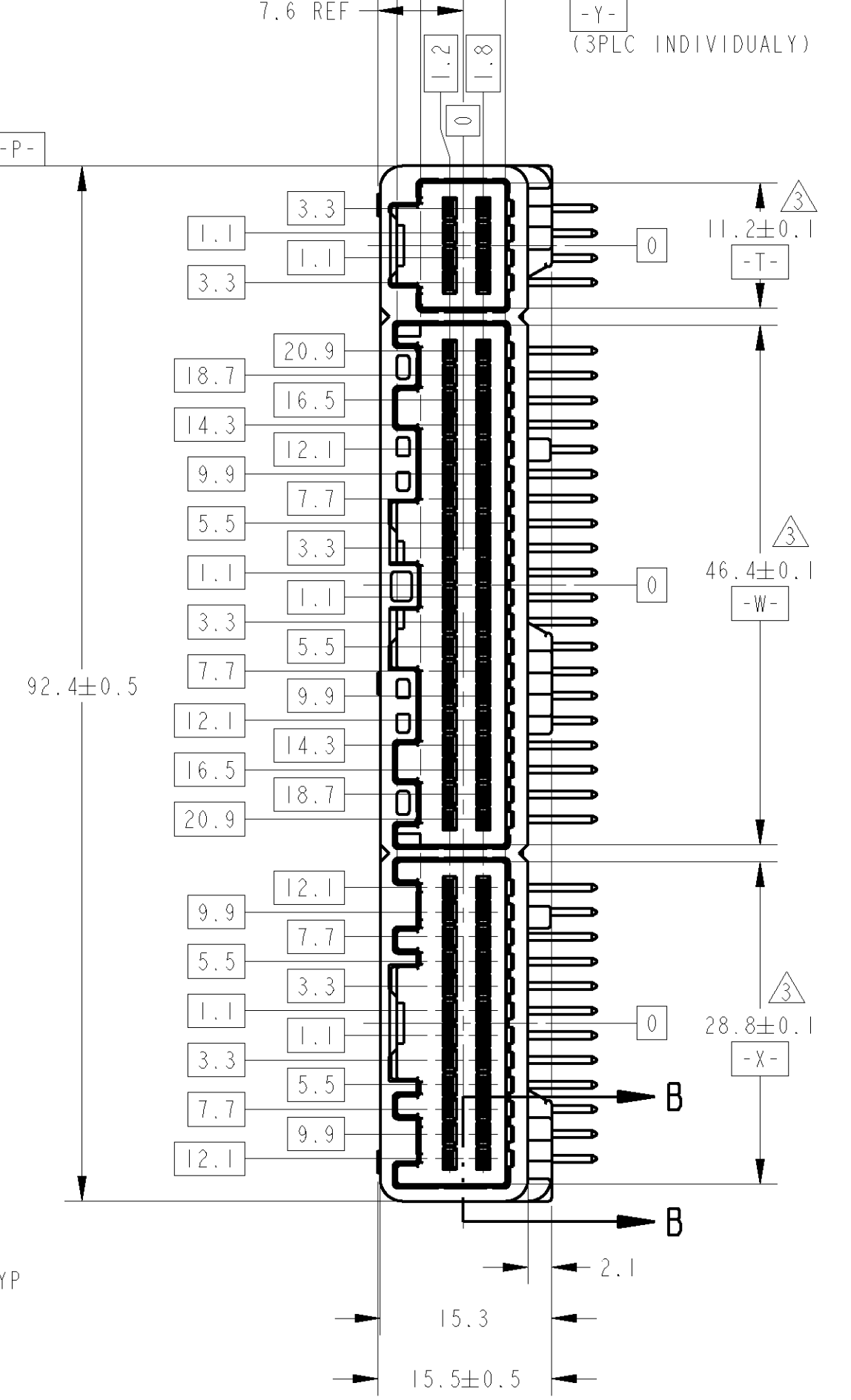
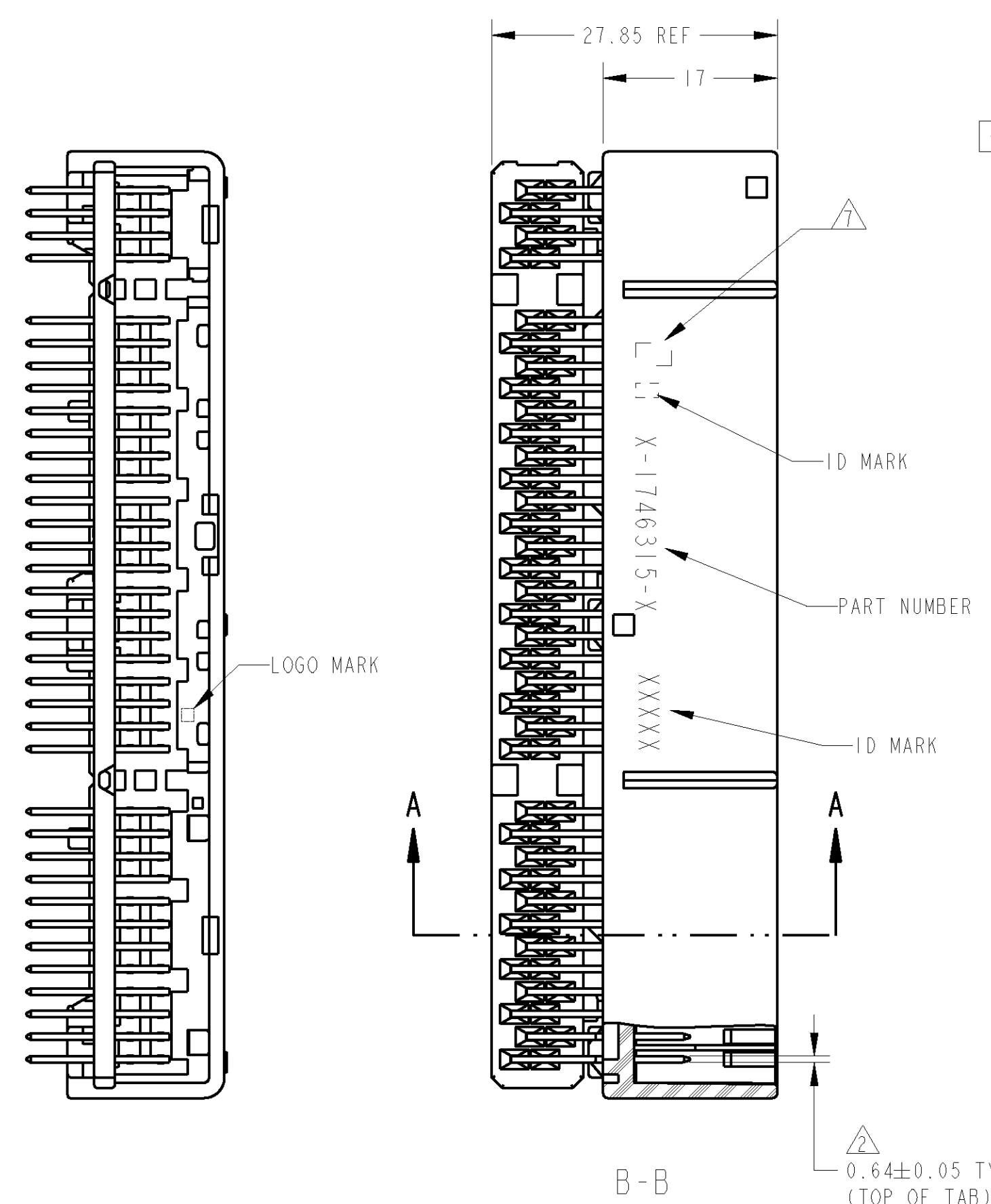


REV	DATE	DESCRIPTION	BY	CHK	APPV
A	01FEB06	RELEASED	AY	HY	
A1	28NOV07	ADDED -2	TS	KB	
B	14OCT09	REVISED	TS	KB	



DIMENSIONS FOR P.C BOARD  
 プリント基板取付寸法  
 THICKNESS 1.6mm

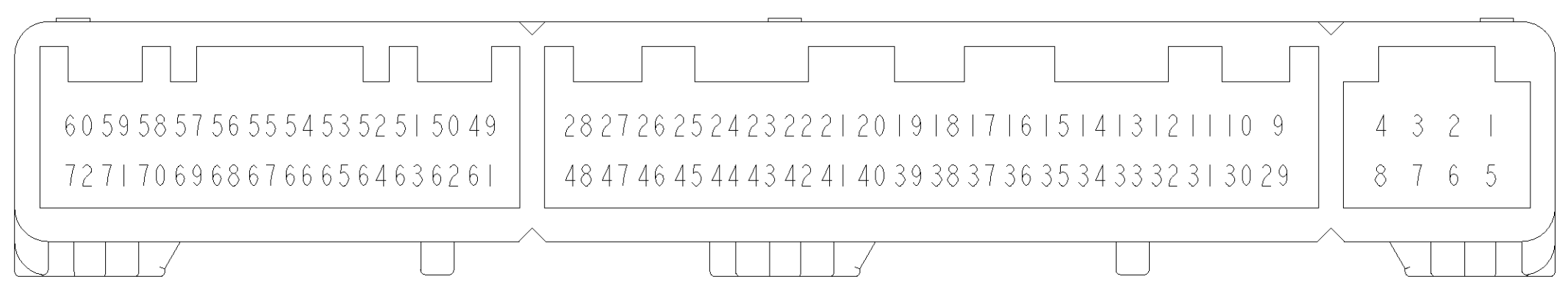
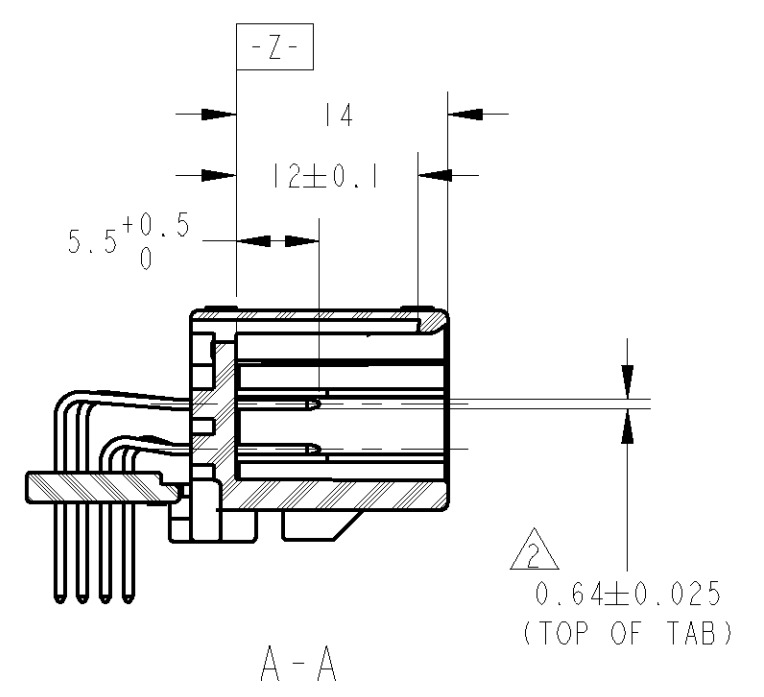
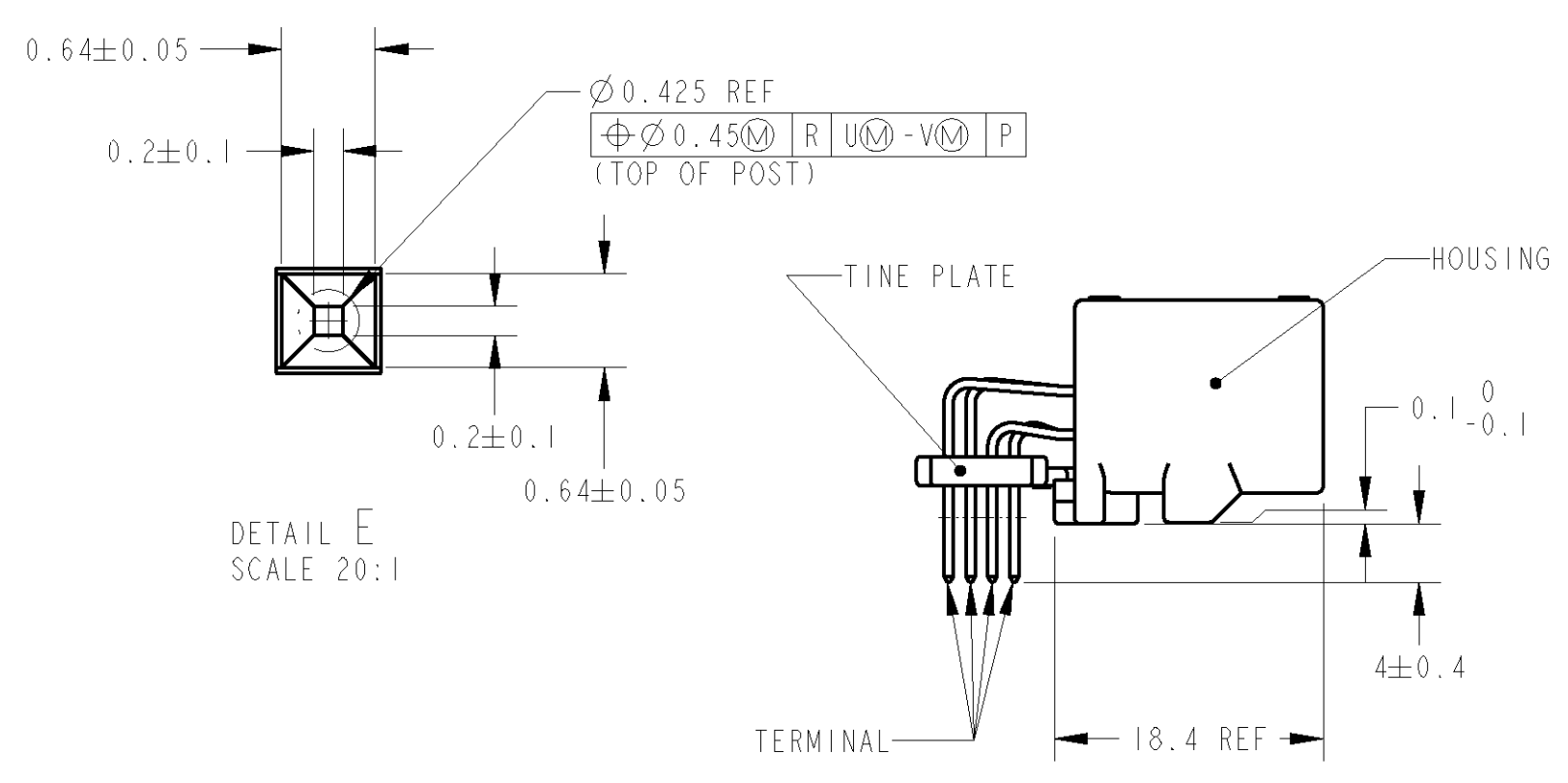


FIG. 1 回路番号  
 CIRCUIT NUMBER

- MATING CONNECTOR PART NO.: SEE TABLE-1
- TERTIARY DATUM: [-X-], [-W-], [-T-] OF EACH BLOCK.
- MEASURED AT 6mm FROM [-Z-]
- HANDLING THIS PART SHOULD FOLLOW THE INSTRUCTION SHEET NO. 411-5932
- APPLICABLE SCREW: PAN-HEADED, TYPE 2 TAPPING-SCREW, NOMINAL DIAMETER 3mm, LENGTH: SEE TABLE-2
- FASTENING TORQUE (FOR REFERENCE): 0.4N·m REF BUT, THIS IS VALUE FOR COMBINATION OF TAPPING SCREW AND PCB FOR TESTING. SO, TORQUE FOR OPERATION SHOULD BE PROVIDED RESPECTIVELY. APPLICABLE PRINTED CIRCUIT BOARD: SEE TABLE-2 FOR THICKNESS
- MARKING FOR DESCERMENT OF THE CONTACT FINISH
- CIRCUIT NUMBER: SEE FIG. 1

- 適合相手コネクタ品番: TABLE-1 参照
- 3次T.M.については、[-X-], [-W-], [-T-] を各々のブロック毎に適用すること
- [-Z-] より6mmの位置で測定
- 本製品の取扱いは、取扱説明書 No. 411-5932に従うこと
- 適用ねじ: JIS B1115, B1122タッピングねじ、6ヶ穴種、取付径3mm、長さTABLE-2参照
- ねじ締め付けトルク(参考値)は0.4N·m REF 値とし、TYCOの許容値を、許容用基板の組合せの場合である。よって、管理値は別途規定すること。適用プリント基板: 板厚はTABLE-2参照
- コンタクト識別用マーク
- 回路番号はFIG. 1参照

TABLE-1

POS	PLUG HOUSING	
	PART NO.	
0.64	8	1376352
	24	1318917
	40	1318389
0.64111	8	1717103
	24	1717112
	40	1674312

TABLE-2

プラグ取付厚(mm)	0.5~1.2	1.6~2.0
THICKNESS OF PCB(mm)		
取付ねじ長さ(mm)	5	6
NOMINAL LENGTH OF SCREW(mm)		

2	PLASTIC BOX	PLASTIC TUBE	15, 17	SELECTIVE-TIN (MATTE)	SELECTIVE GOLD x 2	NATURAL	1746315-2
1	PLASTIC BOX	PLASTIC TUBE	-	SELECTIVE-TIN (MATTE)	SELECTIVE-TIN x 70 (BRIGHT)	NATURAL	1746315-1
				SOLDERING SIDE 半田付け部	CONTACT SIDE 接触部側		
MARKING マーキング				PACKING STYLE 梱包形態		GOLD PLATED CIRCUIT NO 金のめっき回路番号	
DIMENSIONS: mm				TOLERANCES UNLESS OTHERWISE SPECIFIED: 一般公差: ±0.3		DWN: A. YAMAGUCHI, DT1FEB06 CHK: H. YAMAGAMI, DT1FEB06 APPV: S. ISOHATA, DT1FEB06	
MATERIAL SPS BRASS				FINISH SEE TABLE		NAME: 0.64 2ROW CONNECTOR 72POSITION CAP ASSEMBLY	
CUSTOMER DRAWING				WEIGHT 18.9 g		SIZE: CABE CODE DRAWING NO: A1 00779 C=1746315	
				SCALE 2:1		SHEET 1 OF 1 REV B	

单击下面可查看定价，库存，交付和生命周期等信息

[>>TE Connectivity\(泰科\)](#)