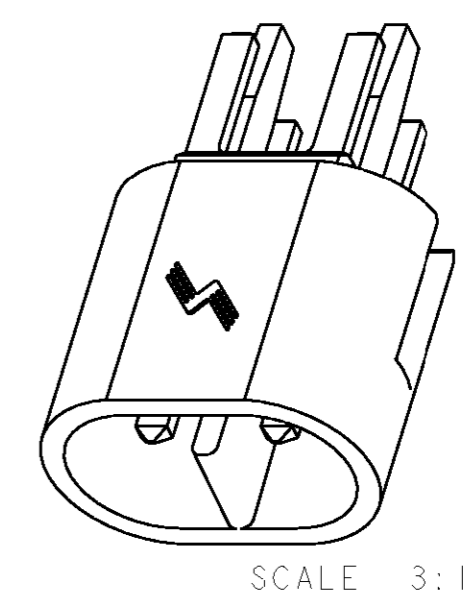
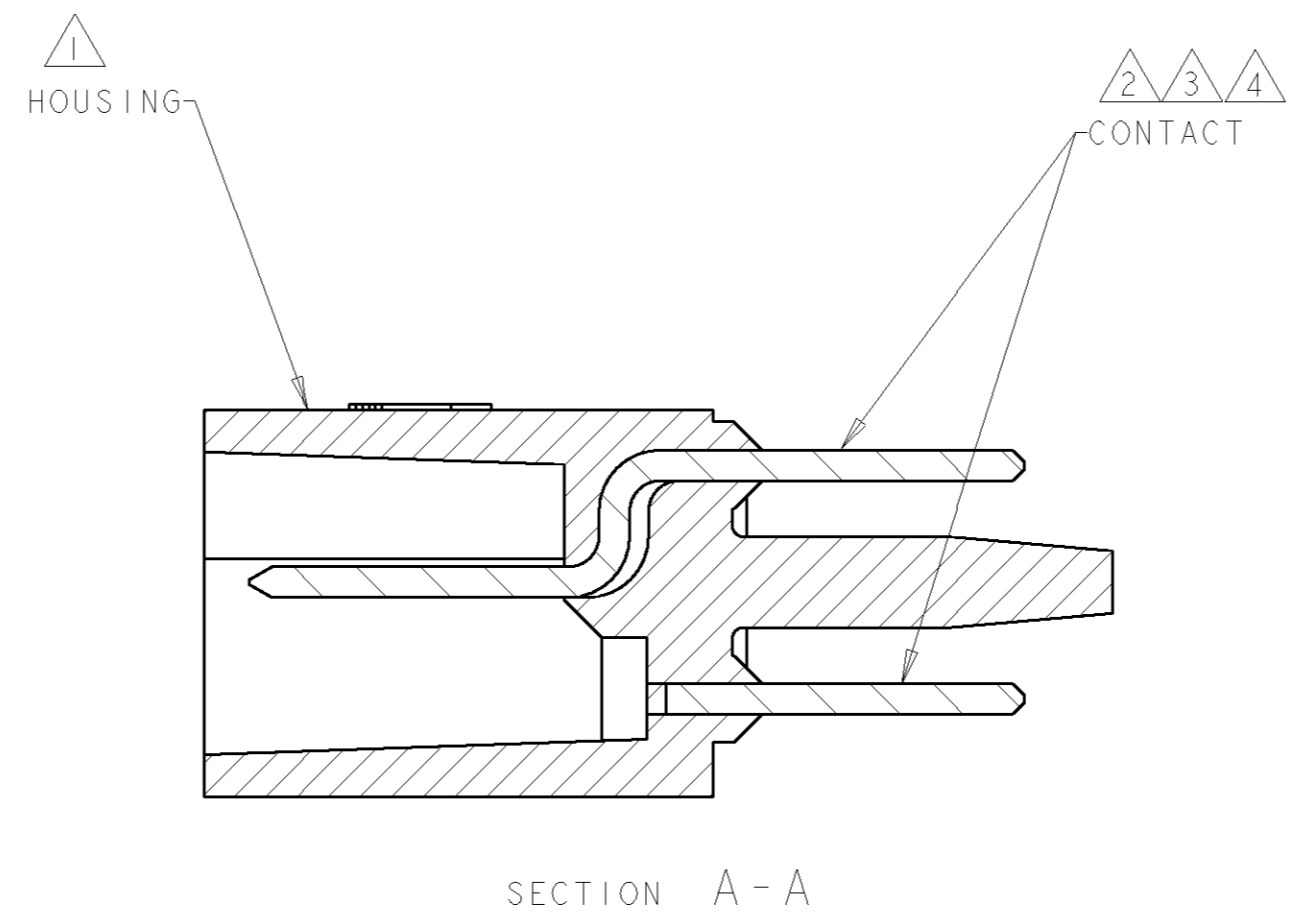
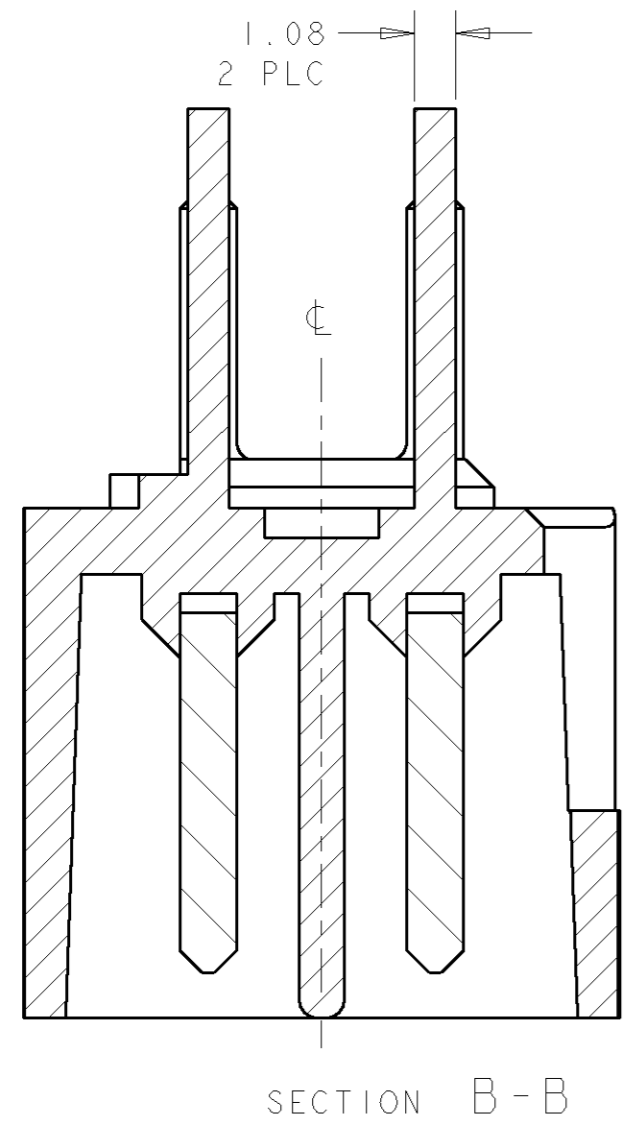
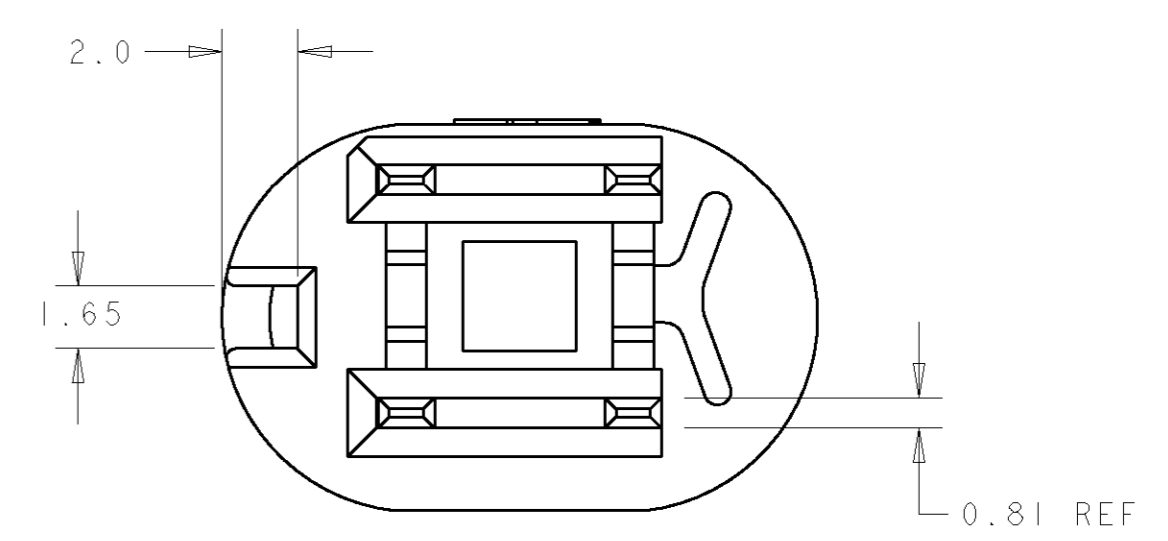
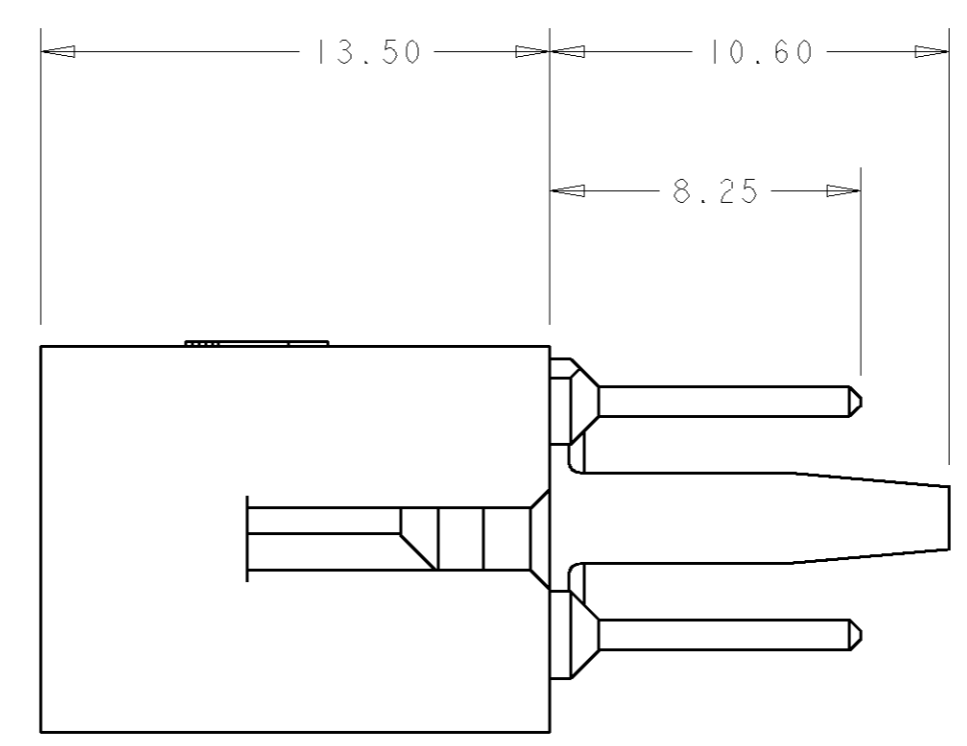
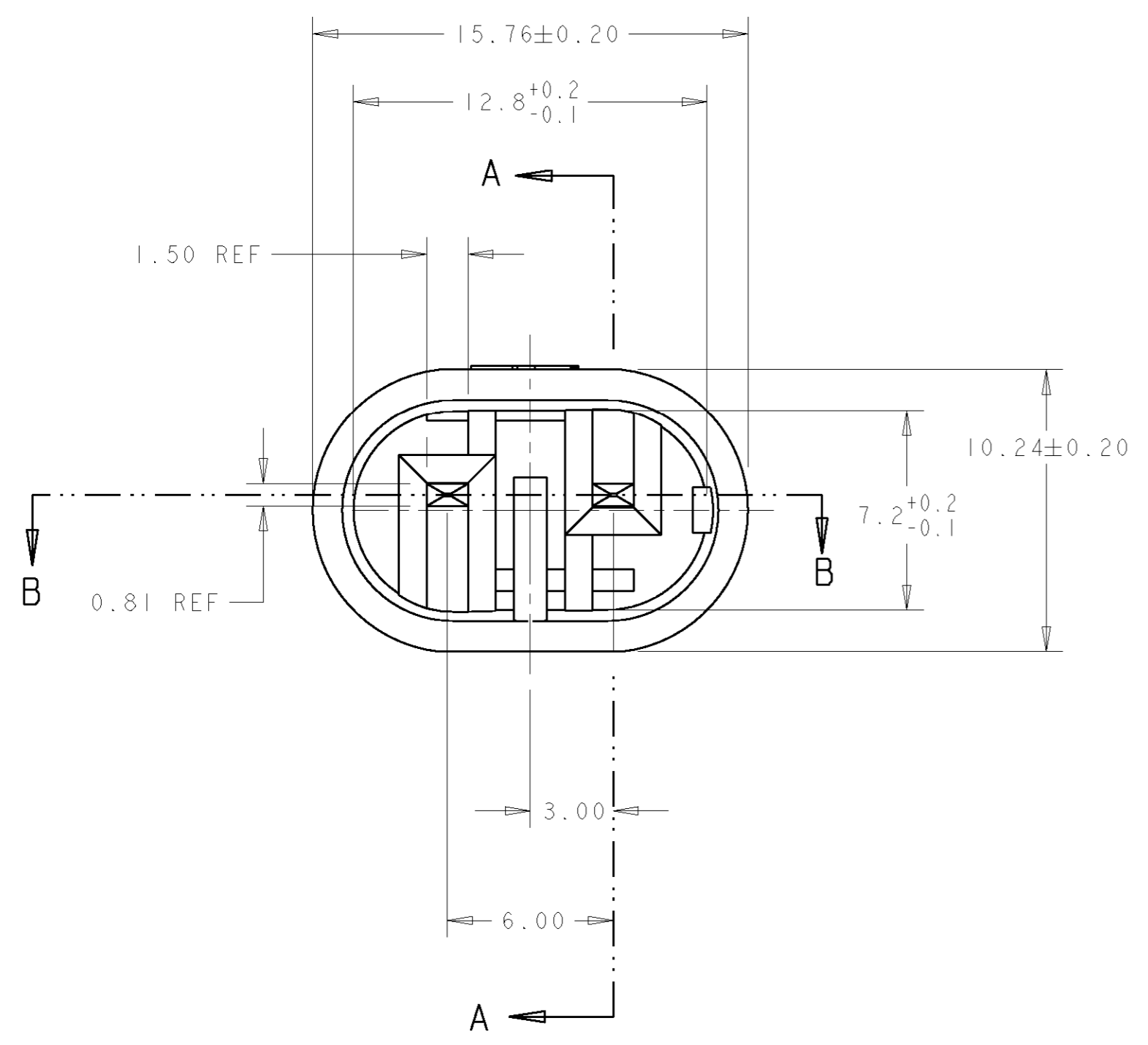


THIS DRAWING IS UNPUBLISHED. RELEASED FOR PUBLICATION  
 BY AMP INCORPORATED. ALL RIGHTS RESERVED.

LOC	DIST	REVISIONS			
P	LTR	DESCRIPTION	DATE	DWN	APVD
GE	00				
	B	REVISED PER EC 0K40-0629-03	13JAN2004	RGV	DHC
	C	REVISED PER EC 0K40-0021-04	05MAR2004	DLD	DHC
	CI	REV PER ECR-06-013651	11DEC2006	AS	AS



- 1 NYLON 66, 33% GLASS FILLED, ZYTEL 70G33L, BLACK.
- 2 COPPER ALLOY.
- 3 GOLD PLATE IN CONTACT AREA OVER NICKEL FOR P/N 776310-1.
- 4 TIN PLATE IN CONTACT AREA OVER NICKEL FOR P/N 776310-2.



TIN	776310-2
GOLD	776310-1
CONTACT FINISH	PART NUMBER

THIS DRAWING IS A CONTROLLED DOCUMENT FOR AMP INCORPORATED. IT IS SUBJECT TO CHANGE AND THE CONTROLLING ENGINEERING ORGANIZATION SHOULD BE CONTACTED FOR THE LATEST REVISION.		DWN P. YEAGER 03NOV99 CHK D. CROWE 03NOV99 APVD D. CROWE 03NOV99	<b>AMP</b> Tyco Electronics Harrisburg, PA 17105-3608
DIMENSIONS: mm 	TOLERANCES UNLESS OTHERWISE SPECIFIED: 0 PLC ± 1 PLC ±0.25 2 PLC ±0.2 3 PLC ±0.001 4 PLC ±0.0001 ANGLES ± FINISH -	PRODUCT SPEC - APPLICATION SPEC - WEIGHT -	NAME SECONDARY LOCK J1939 4 WAY CONNECTOR SIZE A2 CAGE CODE 00779 DRAWING NO. 776310 SCALE 7/2 SHEET 1 OF 1 REV C1
MATERIAL -		CUSTOMER DRAWING	

776310

单击下面可查看定价，库存，交付和生命周期等信息

[>>TE Connectivity\(泰科\)](#)