

4

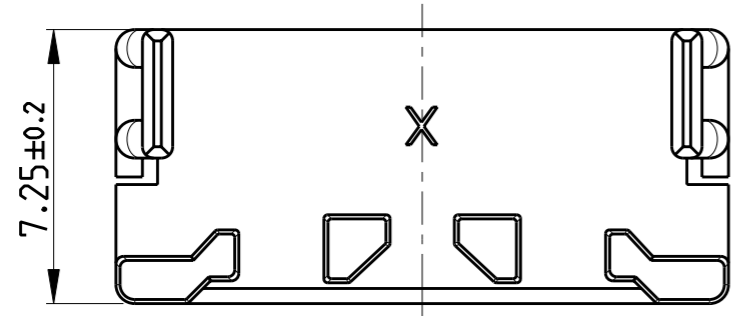
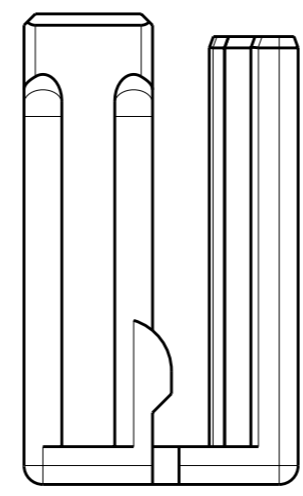
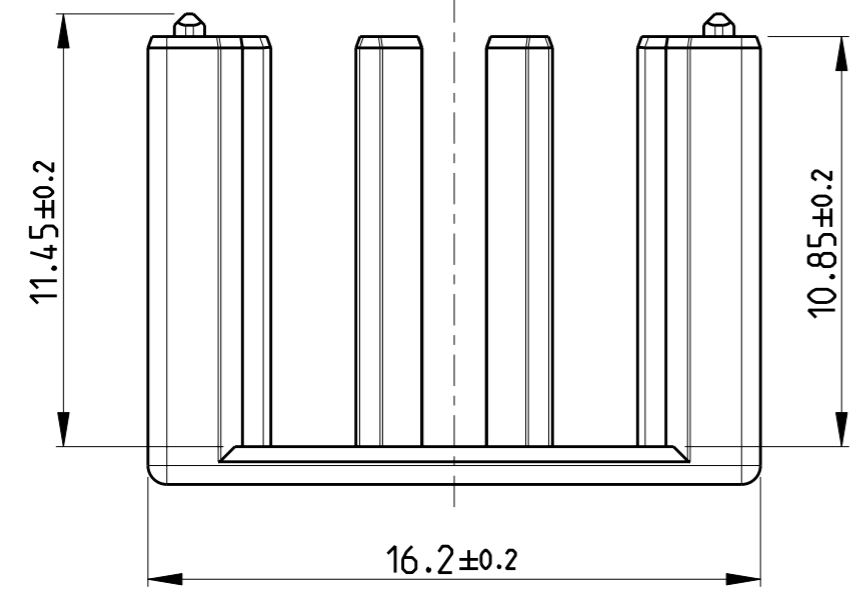
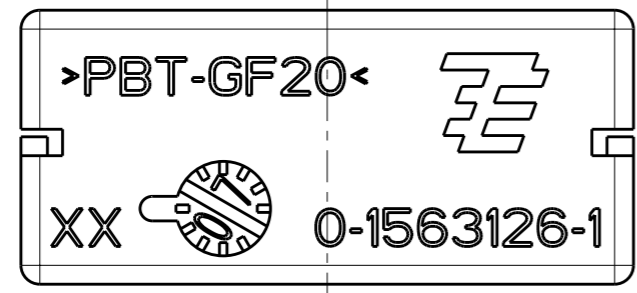
3

2

1

THIS DRAWING IS UNPUBLISHED. RELEASED FOR PUBLICATION 2008
 © COPYRIGHT 2008 BY TYCO ELECTRONICS CORPORATION. ALL RIGHTS RESERVED.

LOC	DIST	REVISIONS			
P	LTR	DESCRIPTION	DATE	DWN	APVD
A1	-	A	NEW DRAWING	30JAN2008	GP GM



NOTES:
Bemerkungen:

- DELIVERY CONDITION: LOOSE PIECES
Anlieferungszustand: Teile lose beigelegt
- MATED WITH TE-PN: 0-1563125-1
Verwendet mit TE-PN: 0-1563125-1
- MATED WITH TE-PN: 0-2112416-1
Verwendet mit TE-PN: 0-2112416-1

<small>THIS DRAWING IS A CONTROLLED DOCUMENT FOR TYCO ELECTRONICS CORPORATION IT IS SUBJECT TO CHANGE AND THE CONTROLLING ENGINEERING ORGANIZATION SHOULD BE CONTACTED FOR THE LATEST REVISION.</small>		DWN G.PUCKEL 30JAN2008 CHK K.ROTH 30JAN2008 APVD G.MUMPER 30JAN2008	Tyco Electronics AMP GmbH 64625 Bensheim (Germany)
DIMENSIONS: mm	TOLERANCES UNLESS OTHERWISE SPECIFIED: 0 PLC ±0.30 1 PLC ±0.30 2 PLC ±0.30 3 PLC ± 4 PLC ± ANGLES ±2°	PRODUCT SPEC - APPLICATION SPEC - WEIGHT -	NAME SECONDARY LOCK FOR 10 POS. MIXED TAB HOUSING 8 x MCON1.2 AND 2 x MCP2.8
MATERIAL -	FINISH -	SIZE A3 CAGE CODE 00779 DRAWING NO C=1563126 RESTRICTED TO -	SCALE 5:1 SHEET 1 OF 1 REV A
CUSTOMER DRAWING			

单击下面可查看定价，库存，交付和生命周期等信息

[>>TE Connectivity\(泰科\)](#)