

4

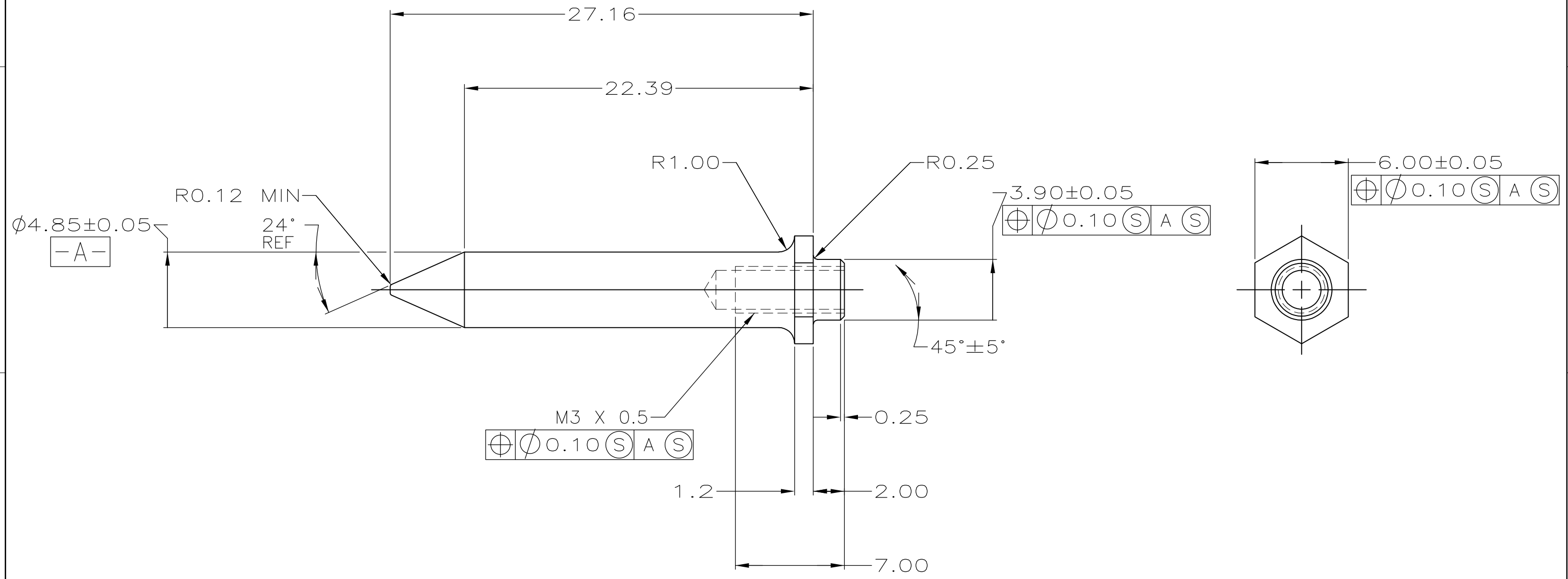
3

2

1

THIS DRAWING IS UNPUBLISHED. RELEASED FOR PUBLICATION ,19 .  
 © COPYRIGHT 19 BY AMP INCORPORATED. ALL RIGHTS RESERVED.

LOC	DIST	REVISIONS			
P	LTR	DESCRIPTION	DATE	DWN	APVD
AD	47	B1	REV PER ECR-15-012700	28AUG2015	ML SZ



M3 X 0.5  
 ⊕ ∅ 0.10 (S) A (S)

3.90±0.05  
 ⊕ ∅ 0.10 (S) A (S)

6.00±0.05  
 ⊕ ∅ 0.10 (S) A (S)

- 1 MATERIAL: STAINLESS STEEL.
- 2 FINISH: PASSIVATE.

2	1	223988-1
FINISH	MATERIAL	PART NUMBER

THIS DRAWING IS A CONTROLLED DOCUMENT.		DWN T. SHUEY 4-28-99	AMP Incorporated Harrisburg, PA 17105-3608	
DIMENSIONS: mm		CHK R. PATTERSON 4-28-99	NAME	
TOLERANCES UNLESS OTHERWISE SPECIFIED: 0 PLC ± _____ 1 PLC ± _____ 2 PLC ±0.13 3 PLC ± _____ 4 PLC ± _____ ANGLES ±0° 30'		APVD R. PATTERSON 4-28-99	GUIDE PIN, UNIVERSAL POWER MODULE	
MATERIAL 1		PRODUCT SPEC	SIZE	RESTRICTED TO
FINISH 2		APPLICATION SPEC	CAGE CODE	
		WEIGHT	DRAWING NO	
		CUSTOMER DRAWING	A3 00779 C- 223988	
		SCALE	SHEET	REV
		4:1	1 OF 1	B1

单击下面可查看定价，库存，交付和生命周期等信息

[>>TE Connectivity\(泰科\)](#)