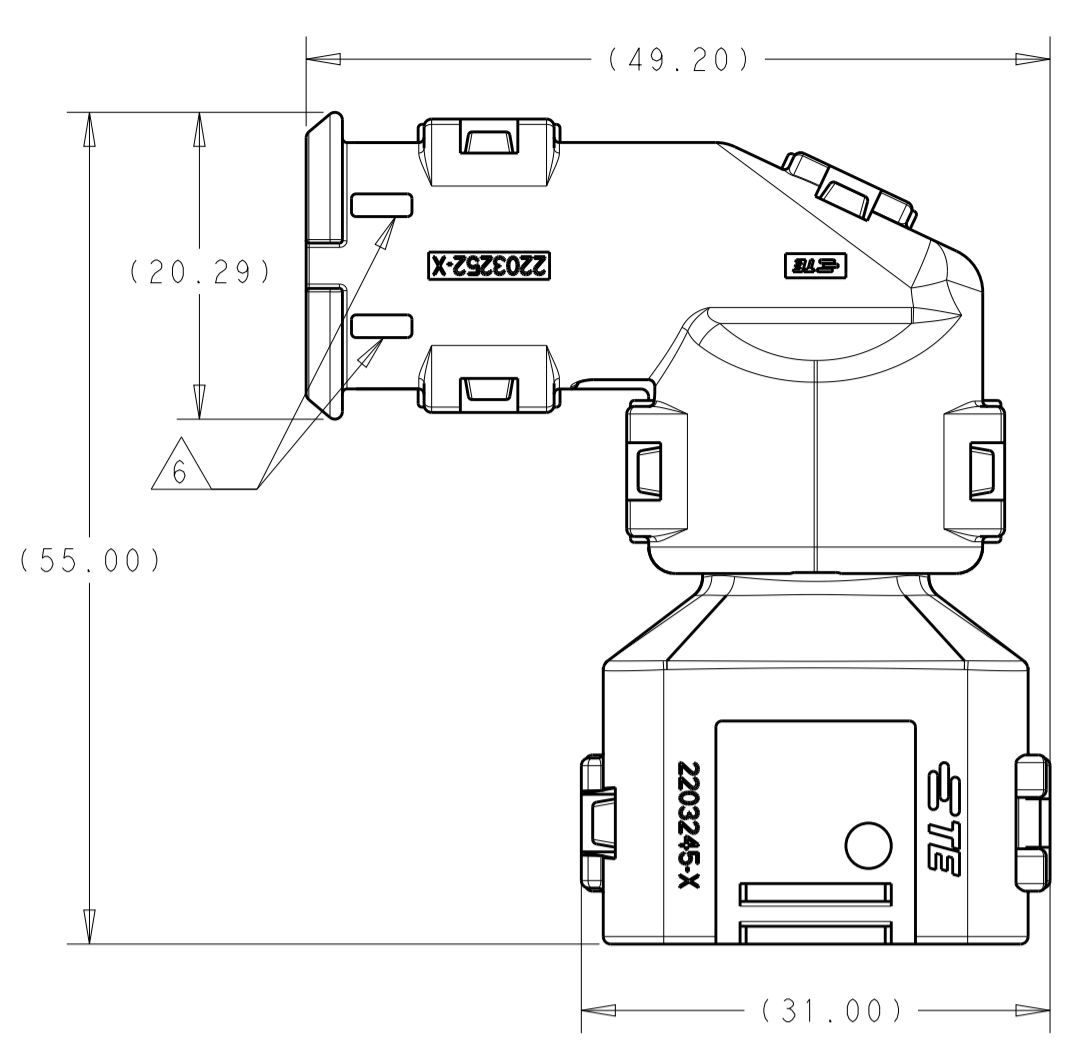
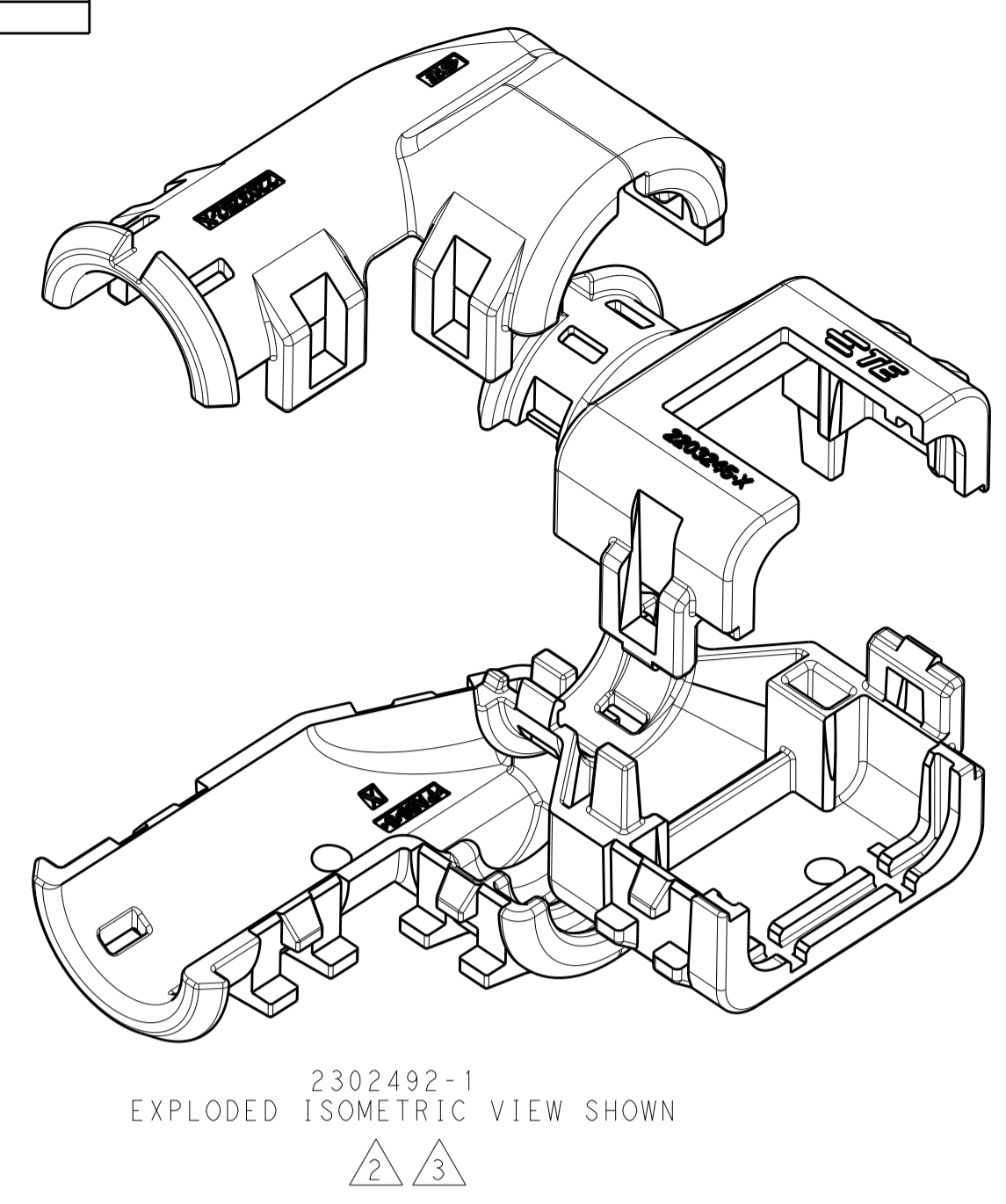
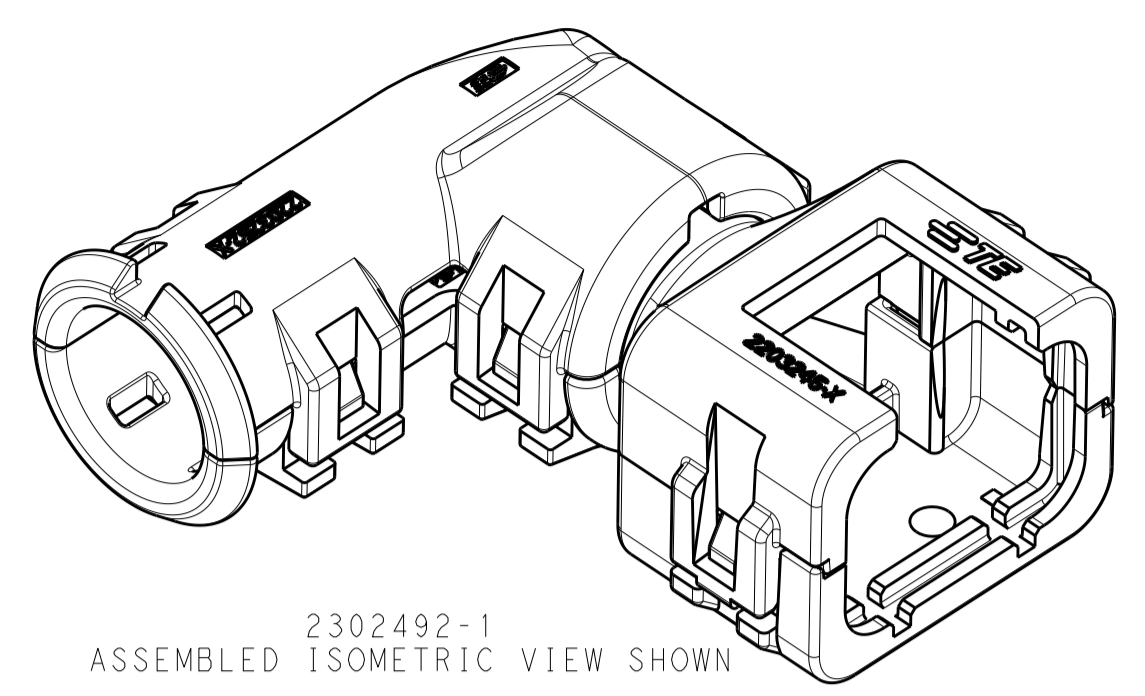
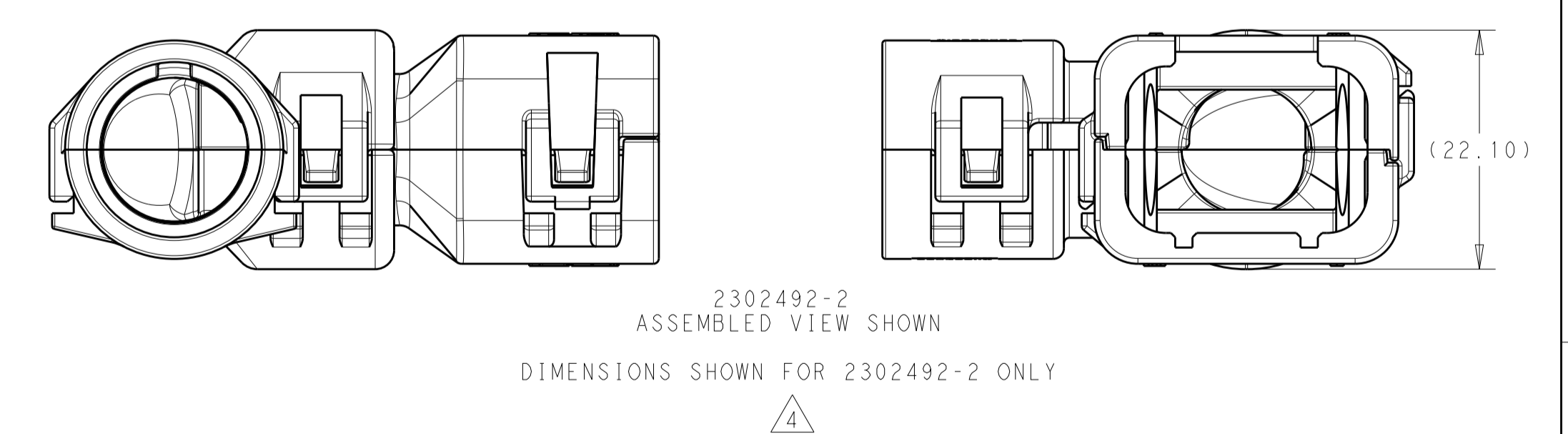
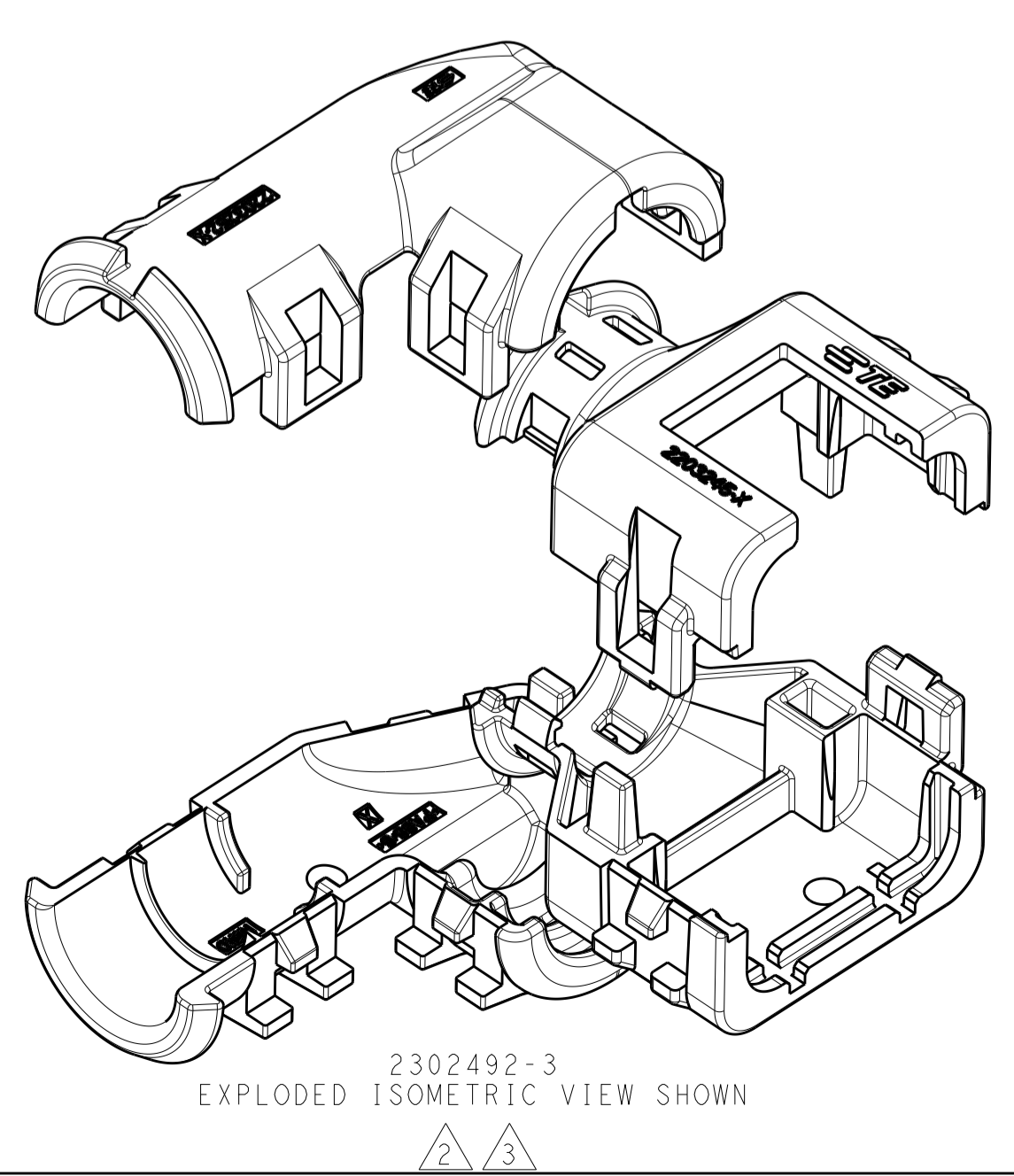
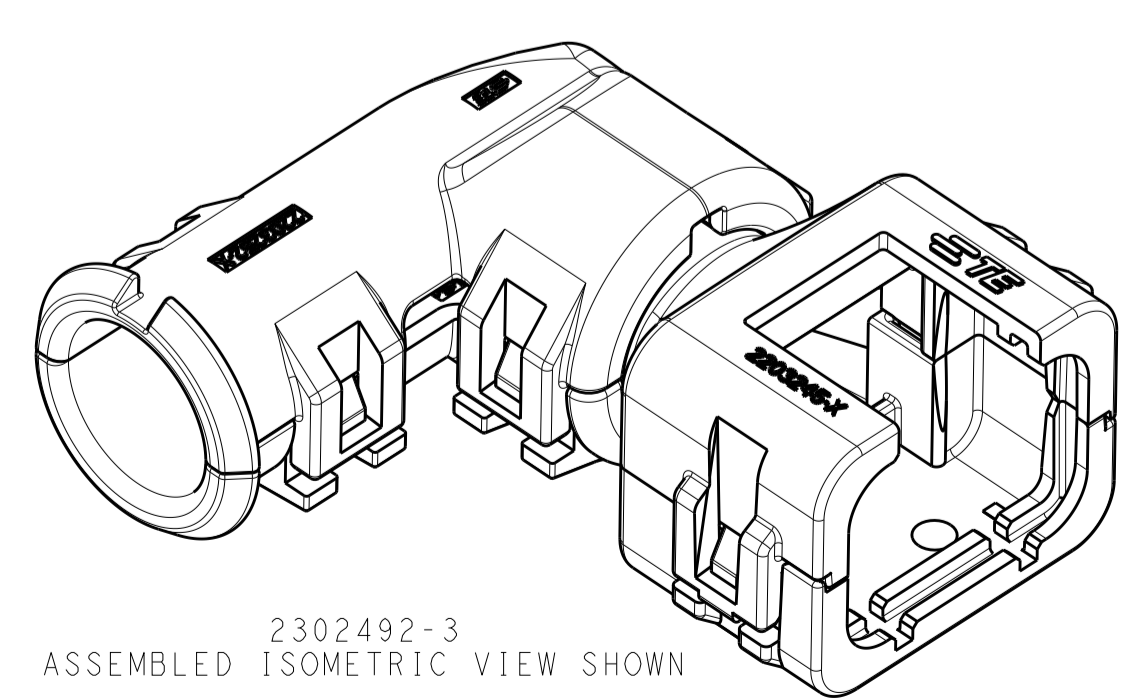
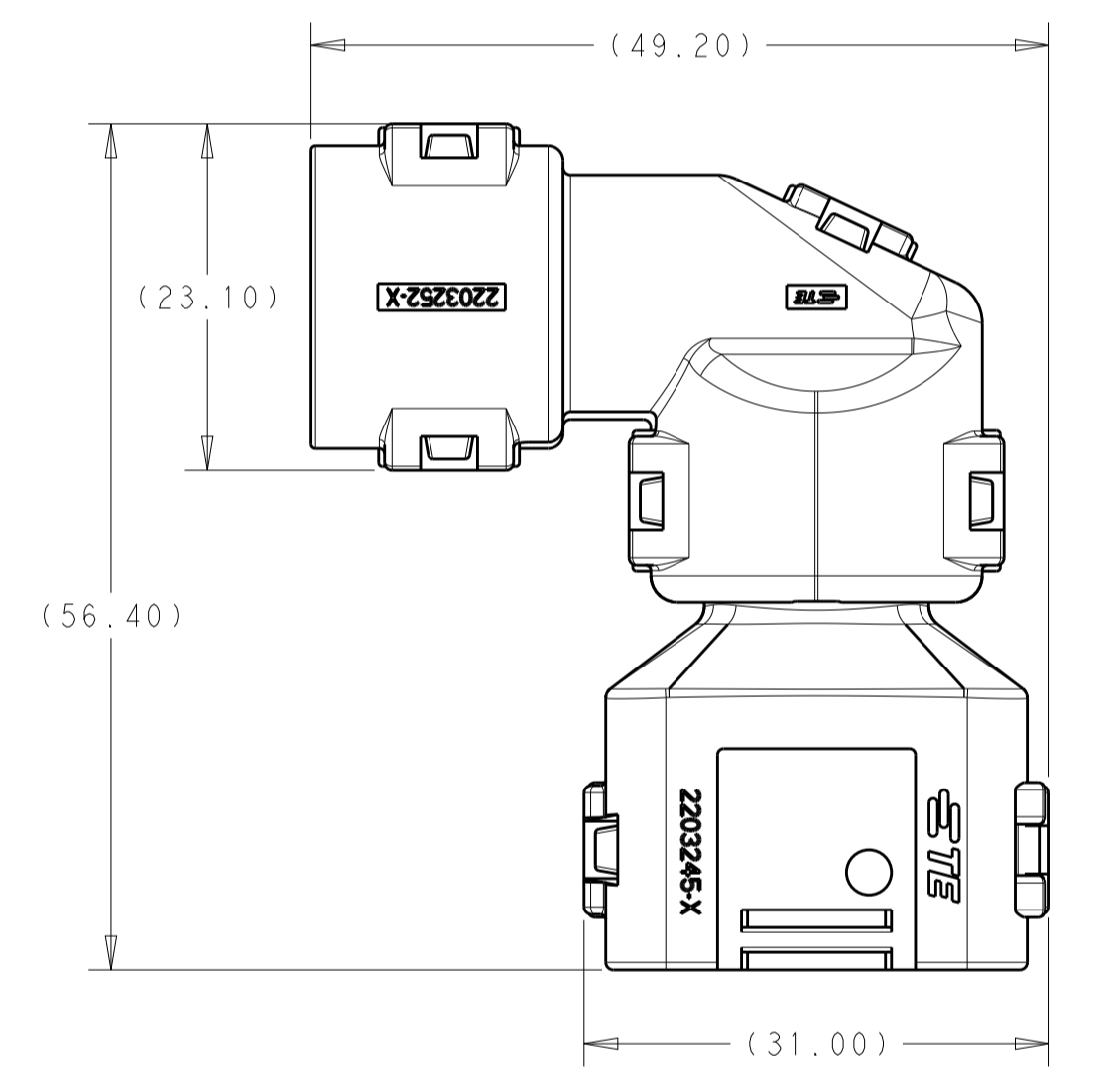
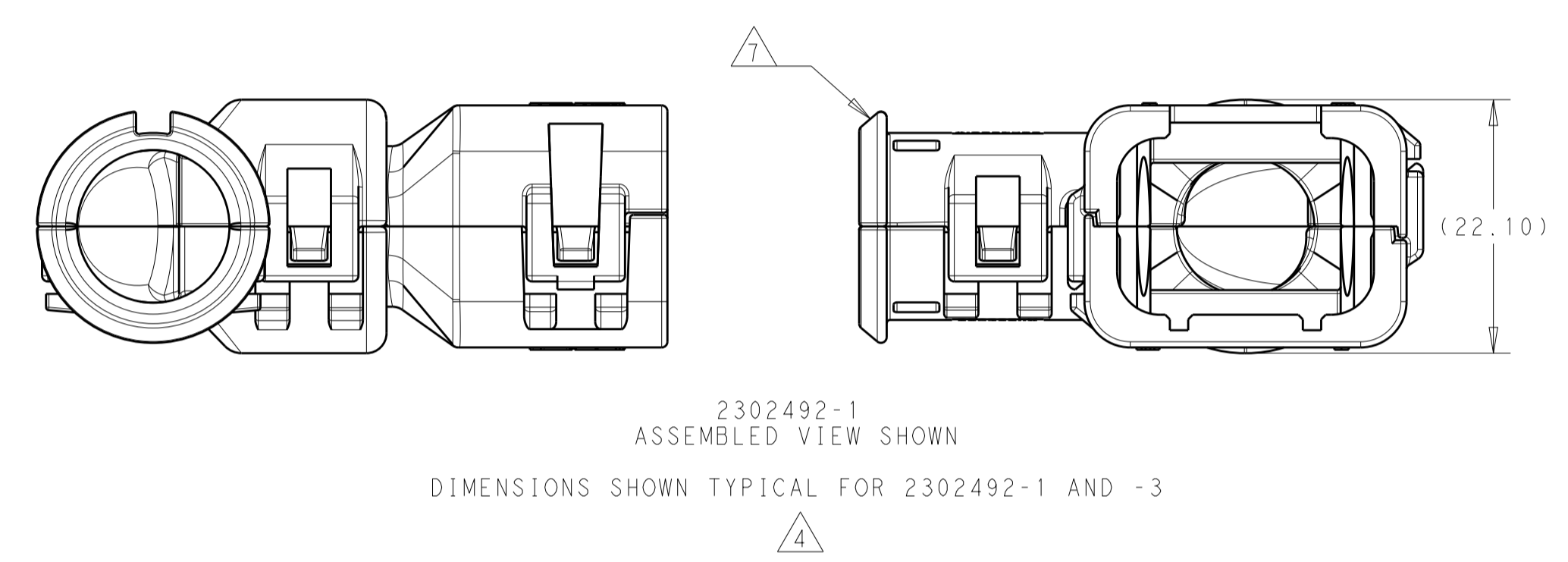
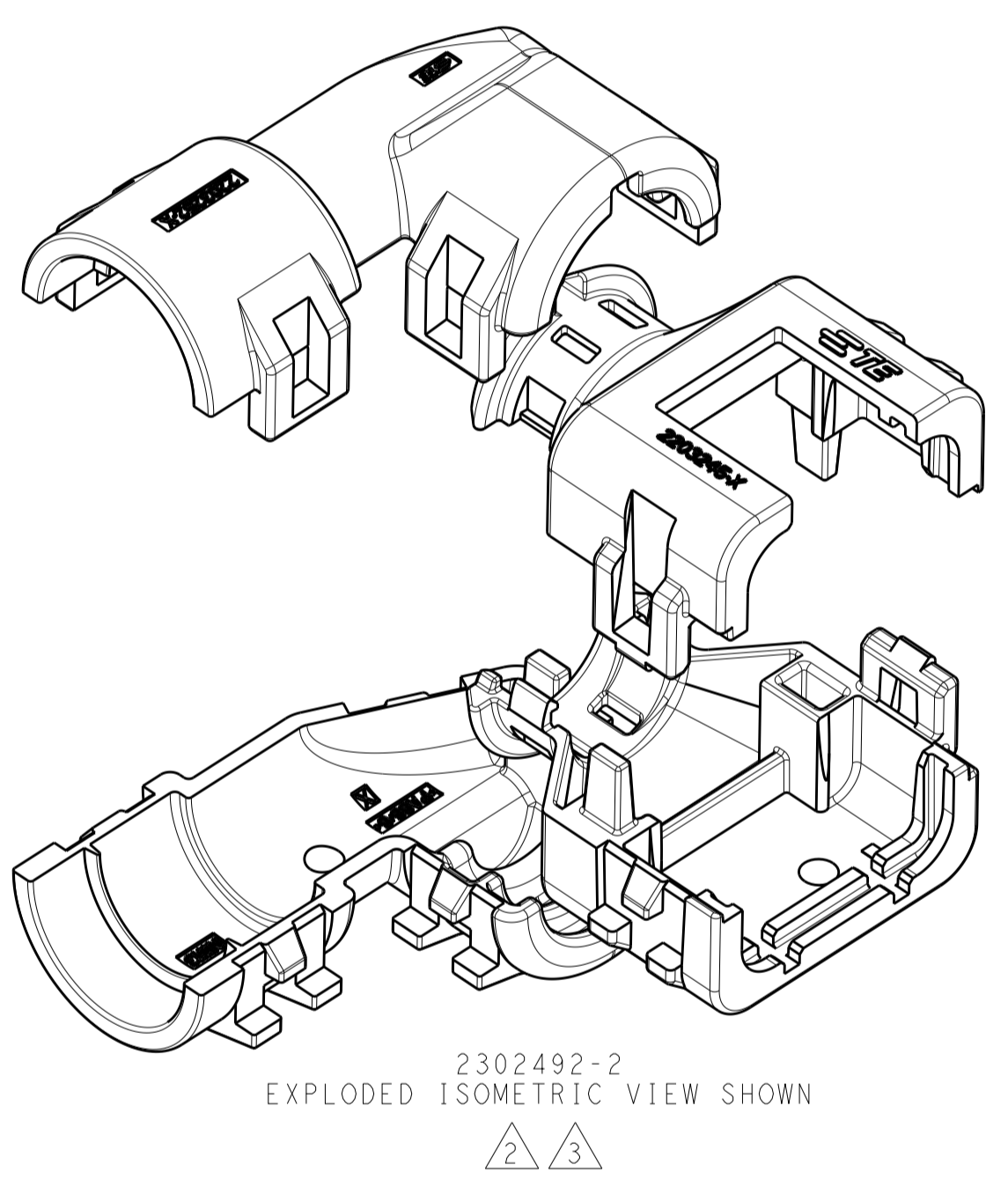
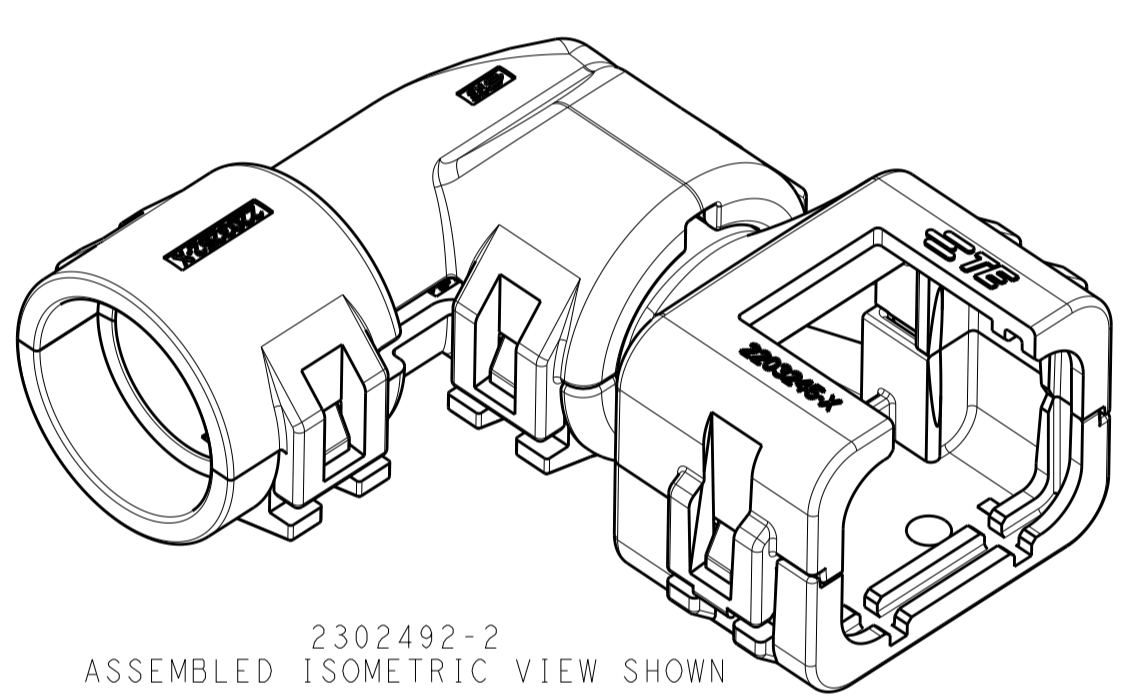


REVISIONS				
P.	LTN.	DESCRIPTION	DATE	APVD.
A		RELEASED PER ECO-16-008203	01JUN2016	JM RB
A2		REV PER ECO-16-013256	08SEP2016	JM RB



- 1 MATERIAL: NYLON MOLDING COMPOUND, BLACK, PA66/6.
- 2 BACKSHELL DESIGNED SUCH THAT TWO HALVES ATTACH TO ONE ANOTHER AND CLAMP AROUND THE CONNECTOR COVER.
- 3 ELBOW DESIGNED SUCH THAT TWO HALVES ATTACH TO ONE ANOTHER AND CLAMP AROUND THE BACKSHELL COLLAR.
- 4 DIMENSIONS TO BE MEASURED WHEN ELBOWS AND BACKSHELLS ASSEMBLED.
- 5 PRODUCT WEIGHTS:
2302492-1: 11.15g ASSEMBLED
2302492-2: 11.95g ASSEMBLED
2302492-3: 11.30g ASSEMBLED
- 6 4MM WIDE SLOTS FOR TIE WRAP TO SECURE HARNESS WIRES (-1 ONLY).
- HEAT SHRINK TUBING FEATURE (-1 AND -3 ONLY).
- 8. INSTRUCTION SHEET: 408-151043
- 9. CONDUIT PROFILE: NORMAL ONLY.



776487-X	NC12	NW10	2302492-3
776524-X	NC16	NW13	2302492-2
	SMOOTH	SMOOTH	2302492-1
FITS ON PLUG ASSY	CORREGATE NC	CORREGATE NW	PART NUMBER
	CONDUIT SIZE		

THIS DRAWING IS A CONTROLLED DOCUMENT.

DIMENSIONS: mm [INCHES]	TOLERANCES UNLESS OTHERWISE SPECIFIED:	0 PLC ±	1 PLC ±	2 PLC ±	3 PLC ±	4 PLC ±	ANGLES ±	FINISH

MATERIAL: 1

WEIGHT: 5

CUSTOMER DRAWING

APPROVALS:
 DWG: J. MCNEAL 13APR2016
 CHK: R. BALTER 13APR2016
 APVD: R. BALTER 13APR2016

NAME: BACKSHELL AND ELBOW KIT, 4 POSN PLUG ASSY, AMPSEAL 16

PRODUCT SPEC: 108-151043

APPLICATION SPEC:

SIZE: A1

CAGE CODE: 100779

DRAWING NO: C=2302492

RESTRICTED TO:

SCALE: 2:1

SHEET: 1 OF 1

REV: A2

单击下面可查看定价，库存，交付和生命周期等信息

[>>TE Connectivity\(泰科\)](#)