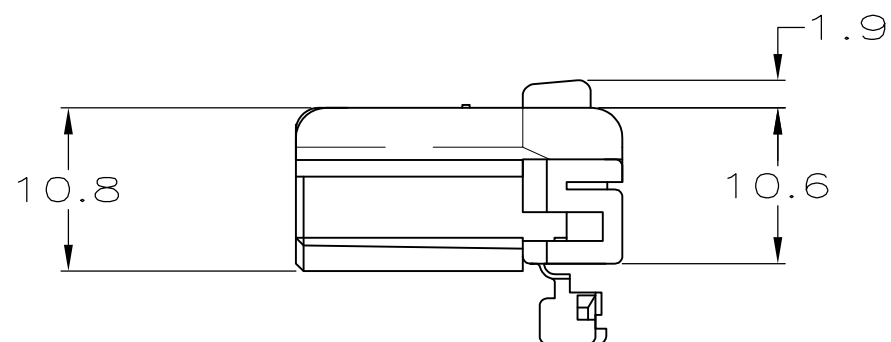
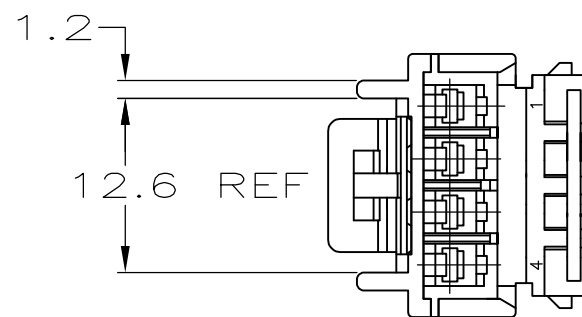
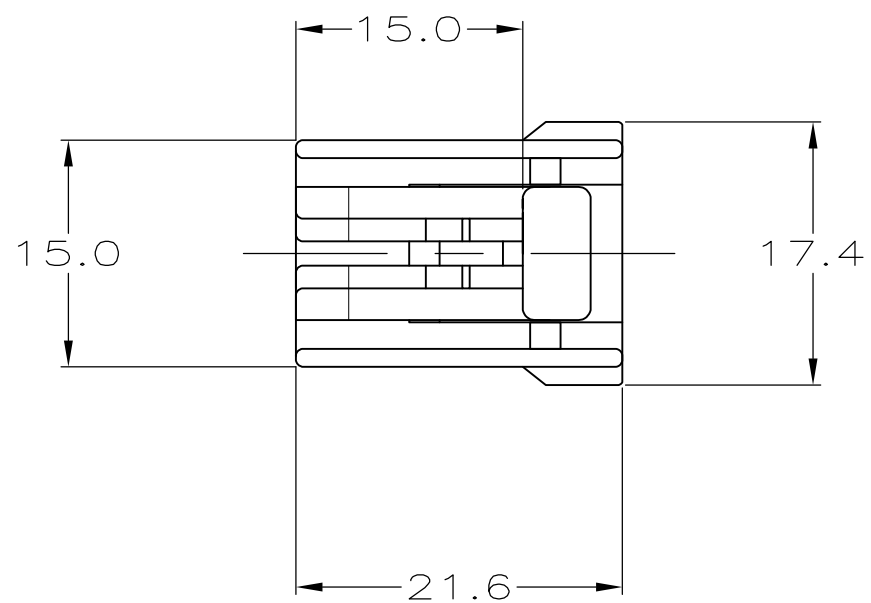
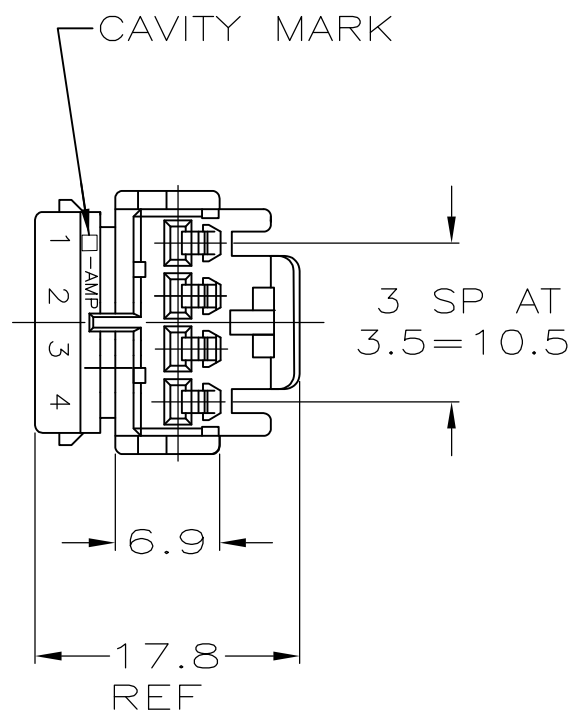


THIS DRAWING IS UNPUBLISHED. RELEASED FOR PUBLICATION
 © COPYRIGHT - BY TYCO ELECTRONICS CORPORATION. ALL RIGHTS RESERVED.

LOC	DIST	REVISIONS			
P	LTR	DESCRIPTION	DATE	DWN	APVD
FX	55	B1	REVISED PER ECR 07-010467	04MAY2007	DLD SSA



YELLOW	776063-7
WHITE	776063-1
COLOR	PART NUMBER

THIS DRAWING IS A CONTROLLED DOCUMENT.		DWN P. YEAGER 2-20-97	Tyco Electronics Corporation Harrisburg, PA 17105-3608		
DIMENSIONS: mm 		CHK S. KROEGER 2-20-97			
TOLERANCES UNLESS OTHERWISE SPECIFIED: 0 PLC ± - 1 PLC ± 0.3 2 PLC ± 0.15 3 PLC ± - 4 PLC ± - ANGLES ± 2°		APVD S. KROEGER 2-20-97	PLUG HOUSING, 4 POSITION WITH RIB .070 SERIES MULTI-LOCK (SINGLE TYPE)		
MATERIAL PBT		FINISH -	PRODUCT SPEC -	APPLICATION SPEC -	RESTRICTED TO -
CUSTOMER DRAWING			WEIGHT -	SIZE A3	CAGE CODE 00779
			SCALE 2:1	DRAWING NO G-776063	SHEET 1 OF 1
					REV B1

单击下面可查看定价，库存，交付和生命周期等信息

[>>TE Connectivity\(泰科\)](#)