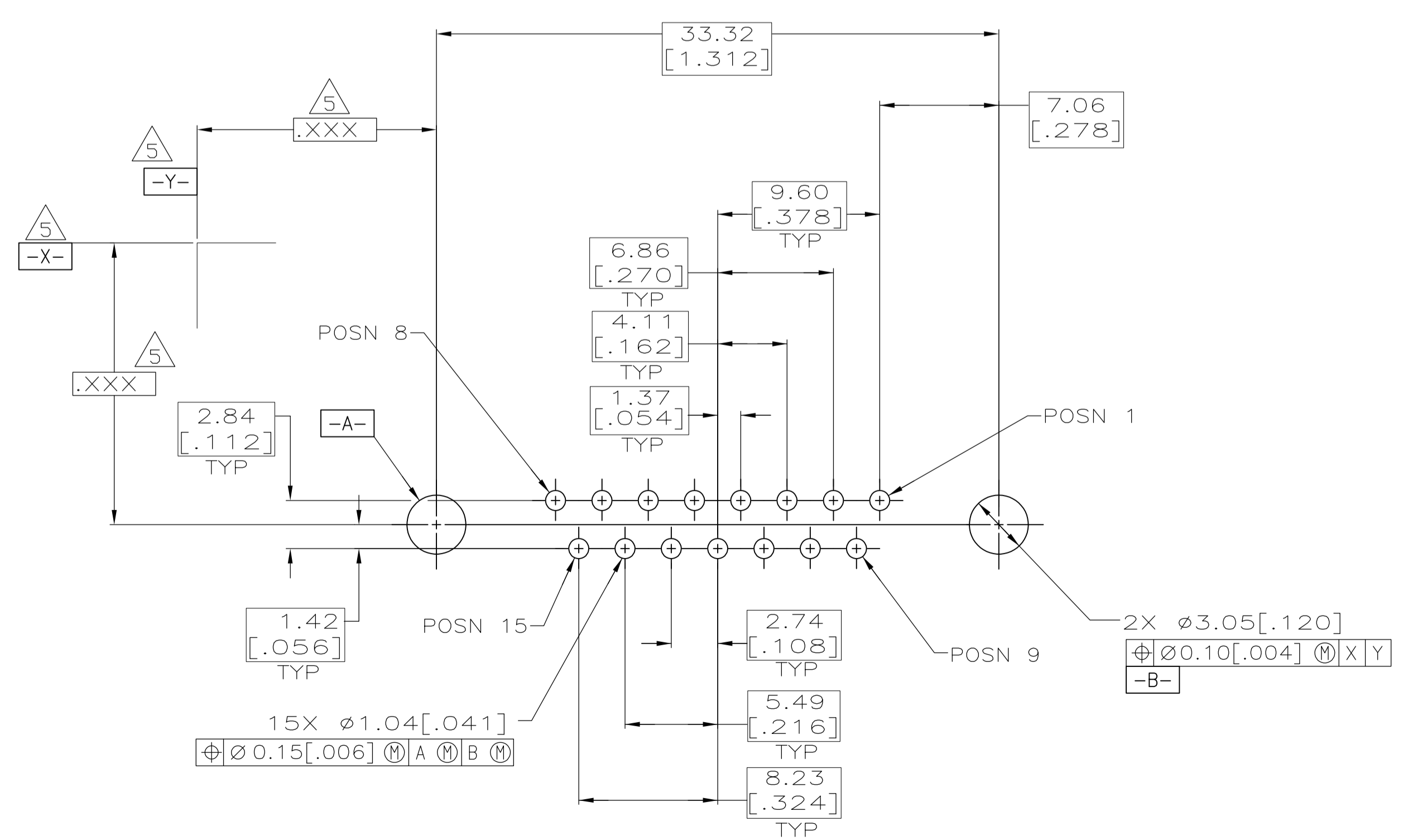
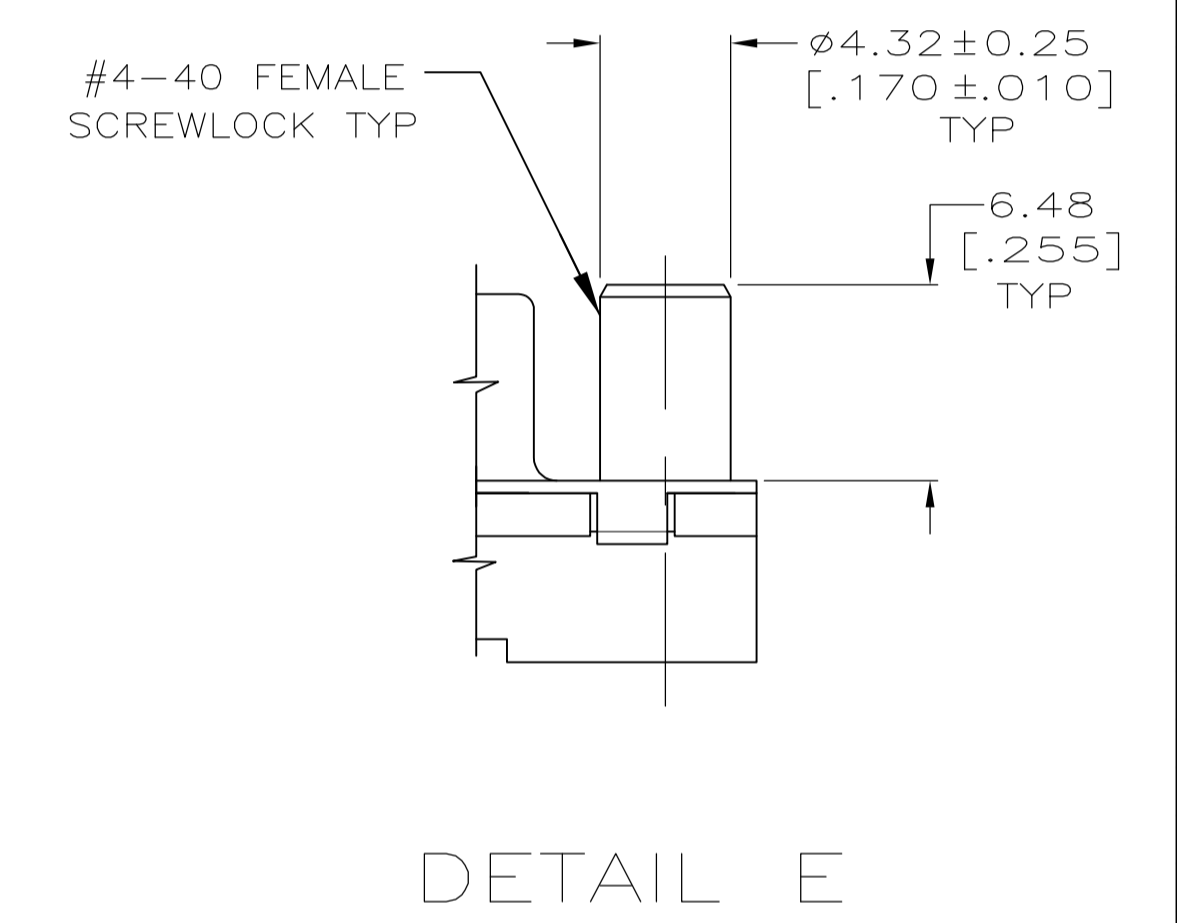
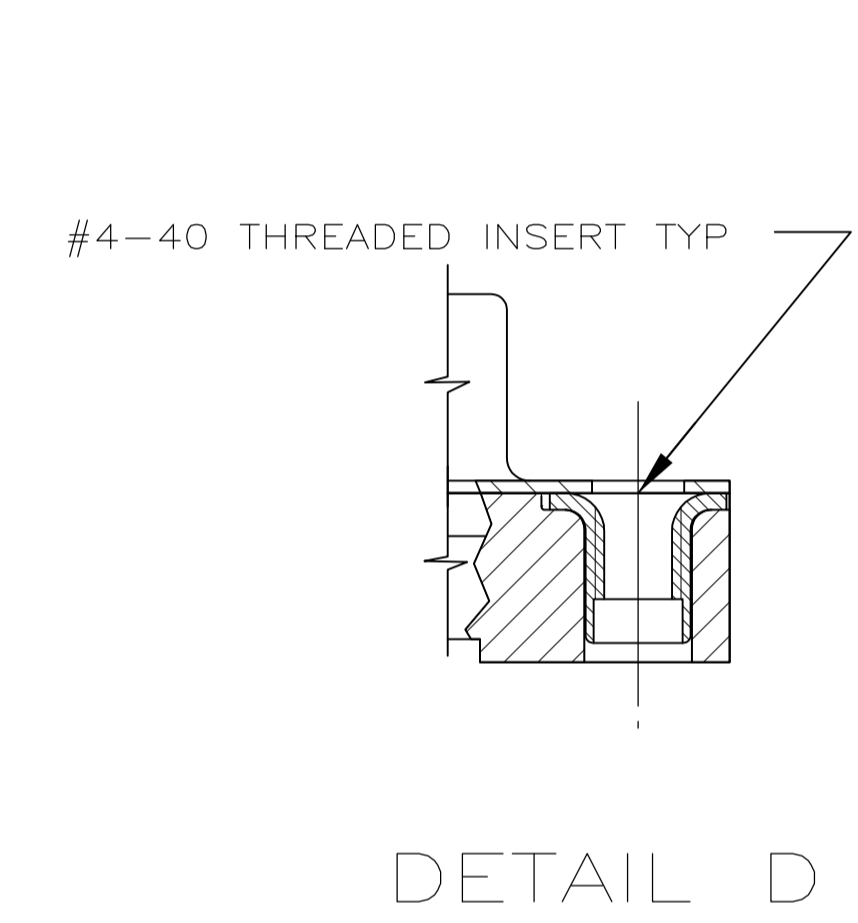
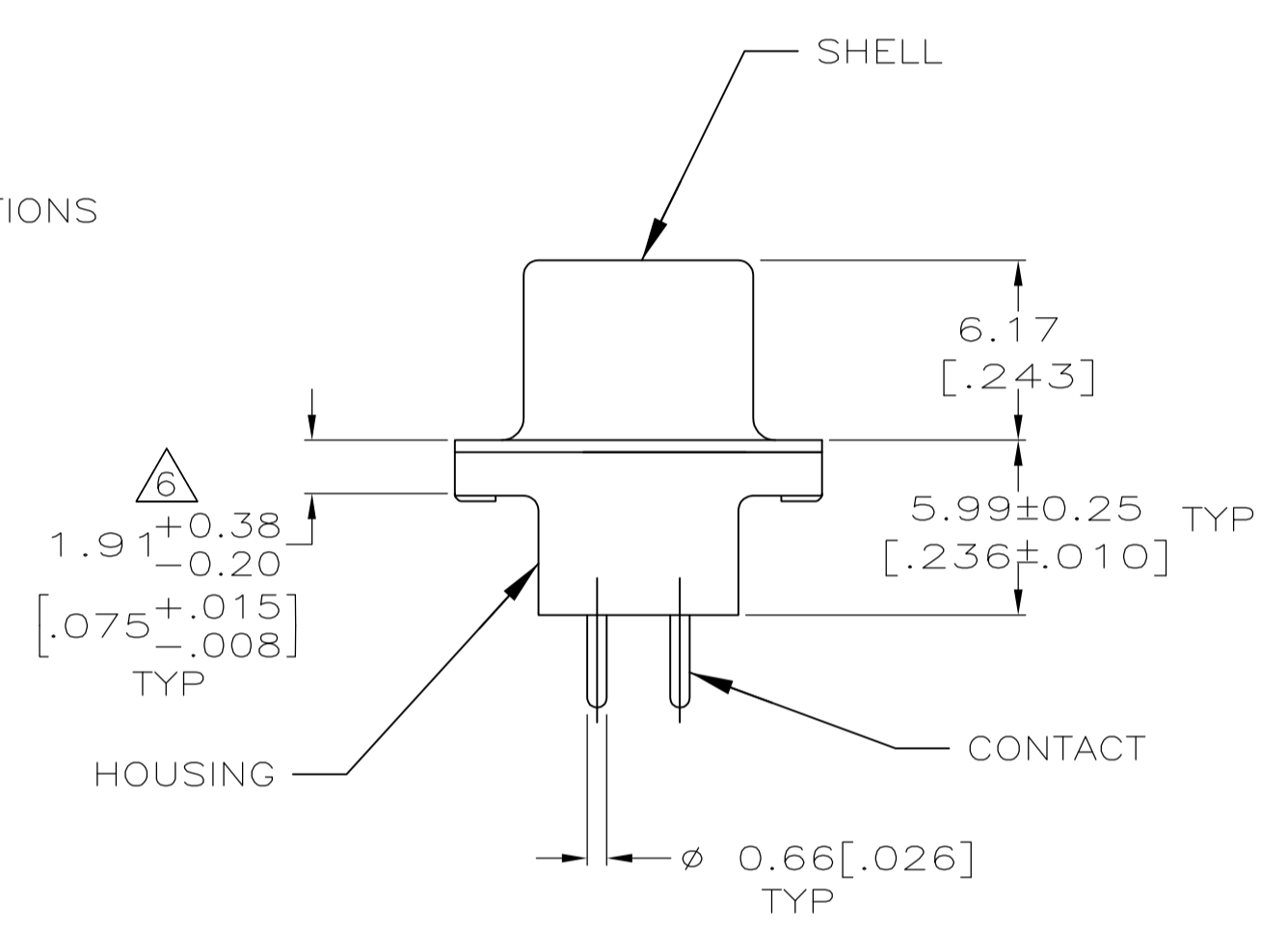
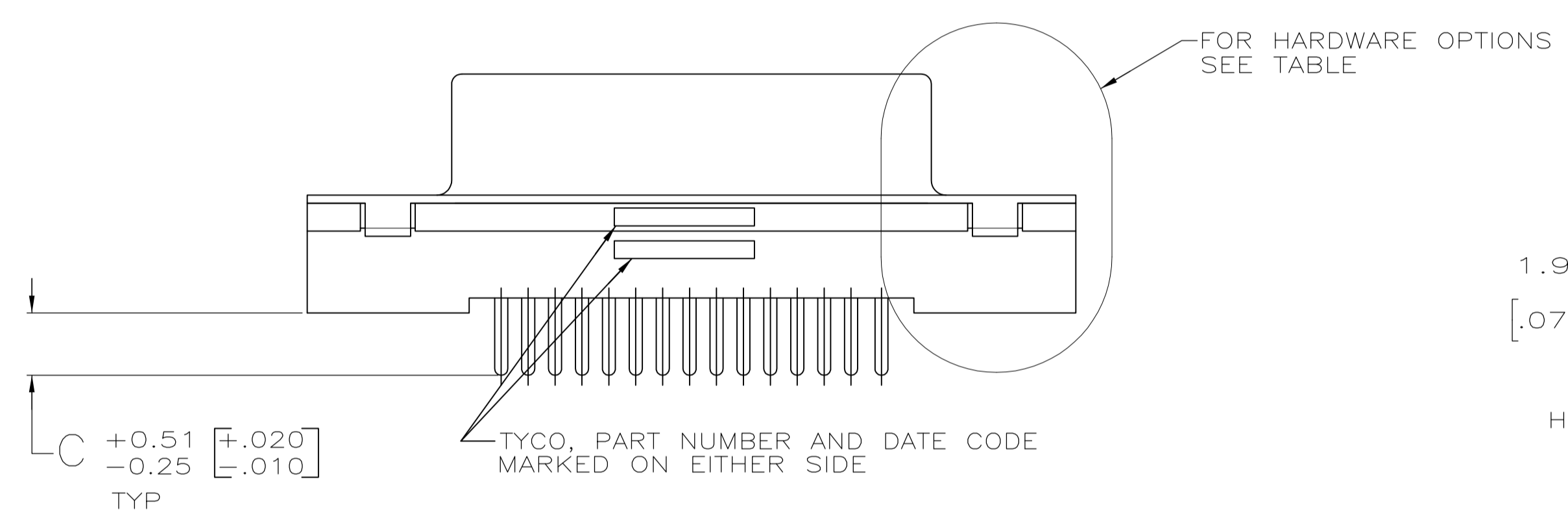


- 1 HOUSING: POLYESTER, UL 94V-0 RATED, COLOR BLACK.
SHELL: CARBON STEEL.
CONTACTS: PHOS BRONZE.
INSERTS: BRASS.
SCREWLOCKS: ZINC.
- 2 SHELL: 5.08μm[.000200] MIN TIN OVER 2.54μm[.000100] MIN COPPER.
CONTACTS: SEE TABLE.
INSERTS: UNPLATED.
SCREWLOCKS: CLEAR CHROMATE COATING.
- 3 GOLD FLASH FOR A LENGTH OF 2.54[.100] MIN FROM MATING END, 2.54μm[.000100] MIN TIN ON BOTH END, BOTH OVER 1.27μm[.000050] MIN NICKEL.
- 4 0.76μm[.000030] MIN GOLD FOR A LENGTH OF 2.54[.100] MIN FROM MATING END, 2.54μm[.000100] MIN TIN ON OPPOSITE END, BOTH OVER 1.27μm[.000050] MIN NICKEL.
- 5 DATUMS AND BASIC DIMENSIONS ESTABLISHED BY CUSTOMER.
- 6 2.79[.110] MAX IN SHELL TAB CLINCH AREAS.



RECOMMENDED PC BOARD MOUNTING DIMENSIONS

OBSOLETE	PER DETAIL E	4	4.32 [.170]	1-5747299-6
	PER DETAIL E	4	3.18 [.125]	1-5747299-4
	PER DETAIL E	3	3.18 [.125]	1-5747299-3
	PER DETAIL D	3	3.18 [.125]	5747299-7
	AS SHOWN	4	4.32 [.170]	5747299-4
		4	3.18 [.125]	5747299-2
HARDWARE OPTIONS	CONTACTS			PART NO
	FINISH		C	

THIS DRAWING IS A CONTROLLED DOCUMENT.

DIMENSIONS: INCHES	TOLERANCES UNLESS OTHERWISE SPECIFIED:	DIN B. LATTUCA 22SEPT05	TE Connectivity
0 PLC ± -	1 PLC ± -	22SEPT05	
2 PLC ± 0.13 [005]	3 PLC ± -	M. WALMSLEY 22SEPT05	RECEPTACLE ASSEMBLY, SIZE 2, 15 POSITION, FRONT METAL SHELL, WITH OR WITHOUT SCREWLOCKS OR INSERTS, AMPLIMITE HD-20
4 PLC ± -	ANGLES ± -		108-40025
			114-40023
MATERIAL	FINISH	WEIGHT	SIZE CASE CODE DRAWING NO
1	2	A1 00779	00779
		CUSTOMER DRAWING	SCALE 4:1 SHEET 1 OF 1 REV B1

单击下面可查看定价，库存，交付和生命周期等信息

[>>TE Connectivity\(泰科\)](#)

[>>点击查看相关商品](#)