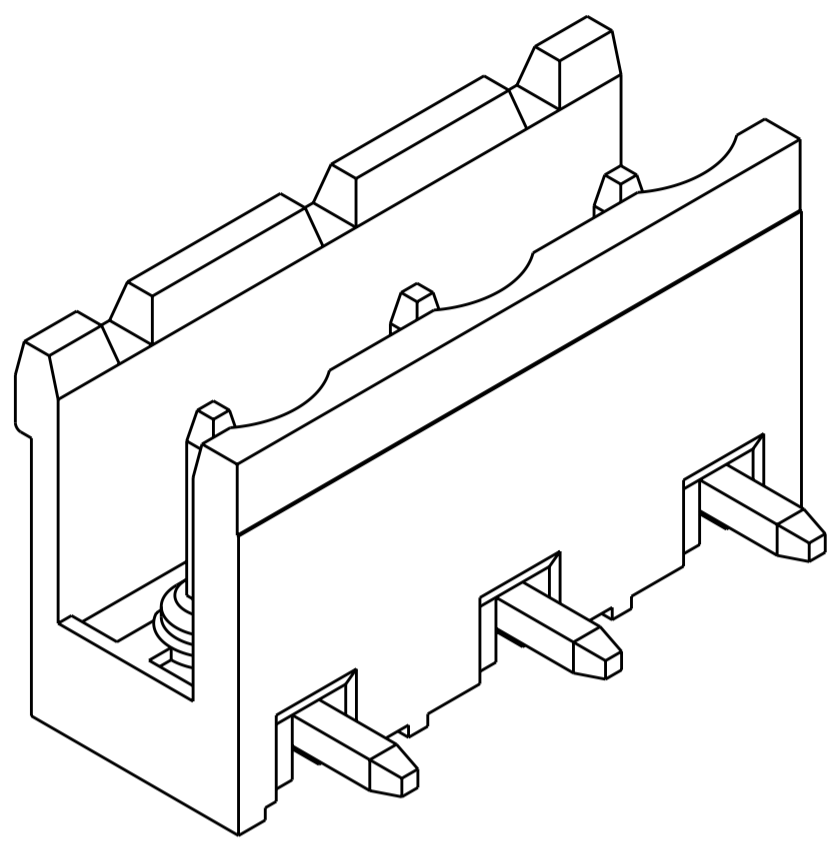
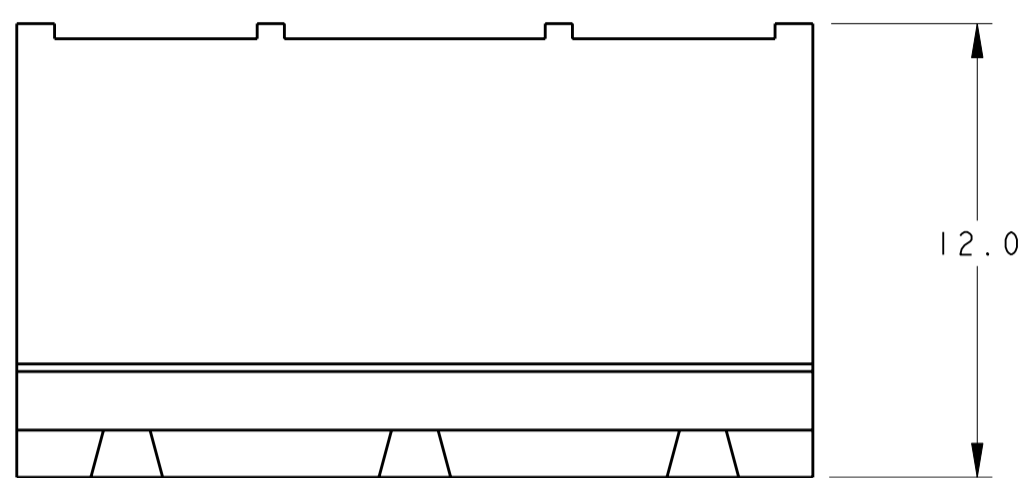


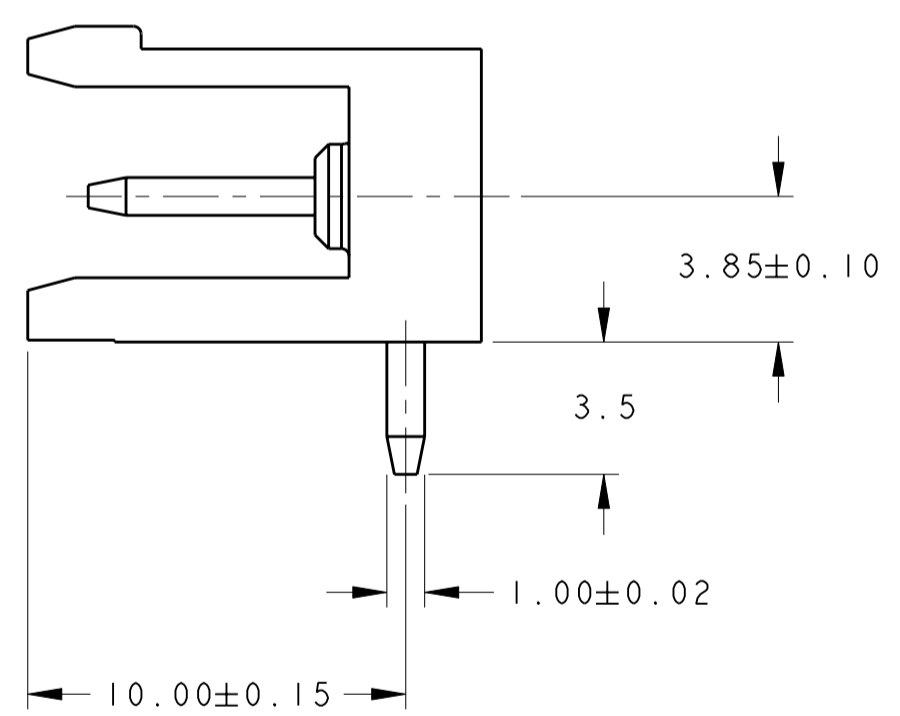
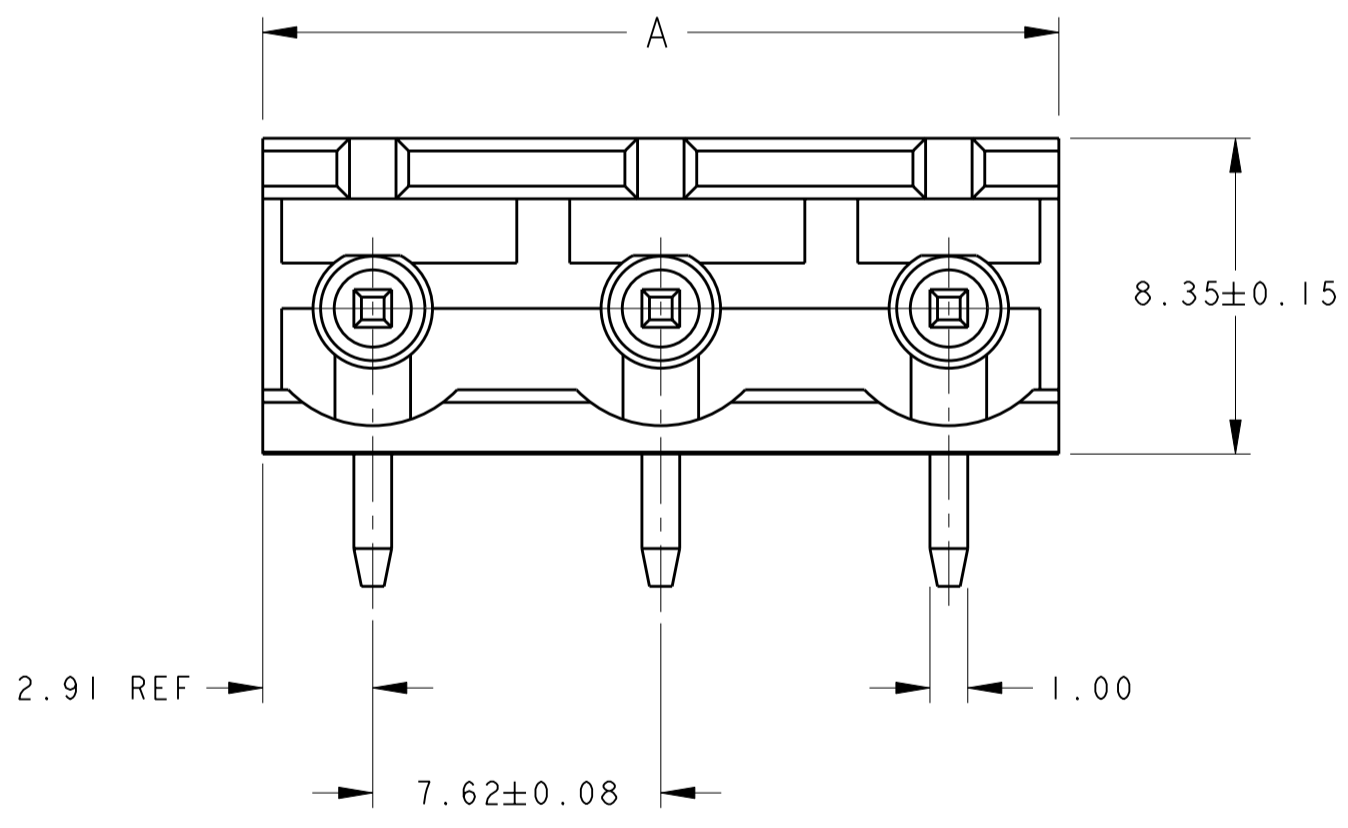
THIS DRAWING IS UNPUBLISHED. RELEASED FOR PUBLICATION 20
 © COPYRIGHT 20 Tyco Electronics AMP GmbH ALL RIGHTS RESERVED.

LOC		DIST		REVISIONS			
P	LTR	DESCRIPTION	DATE	DWN	APVD		
	01	REVISED PER ECO-12-007711	26APR2012	KH	MS		

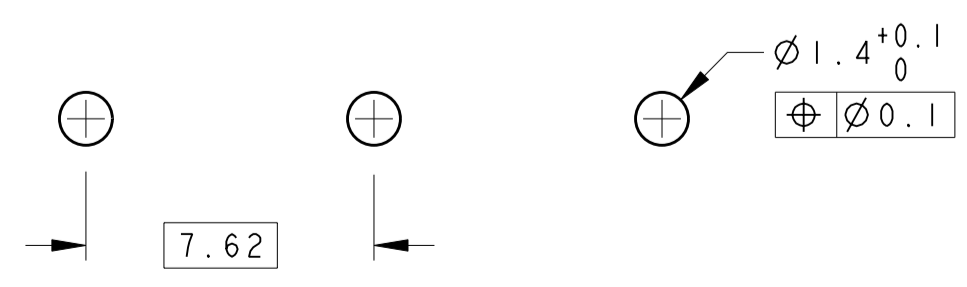


1. MATERIALS AND FINISH
 HOUSING: HIGH TEMPERATURE POLYAMIDE, UL 94V-0 RATED,
 COLOR: BLACK.
 TERMINAL: COPPER ALLOY, TIN PLATED.
2. SUITABLE FOR 1,6-2,4mm PC BOARD THICKNESS.
3. RECOGNIZED UNDER THE COMPONENT PROGRAM OF UNDERWRITERS LABORATORIES INC., FILE N° E60677.
4. IMQ CERTIFICATE WITH SURVEILLANCE IN CONFORMITY WITH IEC 998-1/998-2-1.

1776152-3 AS SHOWN



21.06	3	1776152-3
13.44	2	1776152-2
A	NO OF POSN	PART NUMBER



RECOMMENDED PC BOARD LAYOUT

THIS DRAWING IS A CONTROLLED DOCUMENT.		DWN S. WELDON 26 JUL 2005	STE TE Connectivity		
		CHK C. RICHARD 26 JUL 2005			
		APVD C. RICHARD 26 JUL 2005	NAME TERMINAL BLOCK HEADER ASSEMBLY, 90 DEGREE, OPEN ENDS, 7.62mm PITCH		
DIMENSIONS: mm		PRODUCT SPEC 108-20166	SIZE A2	CAGE CODE 00779	DRAWING NO C-1776152
TOLERANCES UNLESS OTHERWISE SPECIFIED:		APPLICATION SPEC 114-20079	WEIGHT -	RESTRICTED TO -	
MATERIAL		FINISH	CUSTOMER DRAWING		
			SCALE 5:1	SHEET 1 OF 1	REV 01

单击下面可查看定价，库存，交付和生命周期等信息

[>>TE Connectivity\(泰科\)](#)