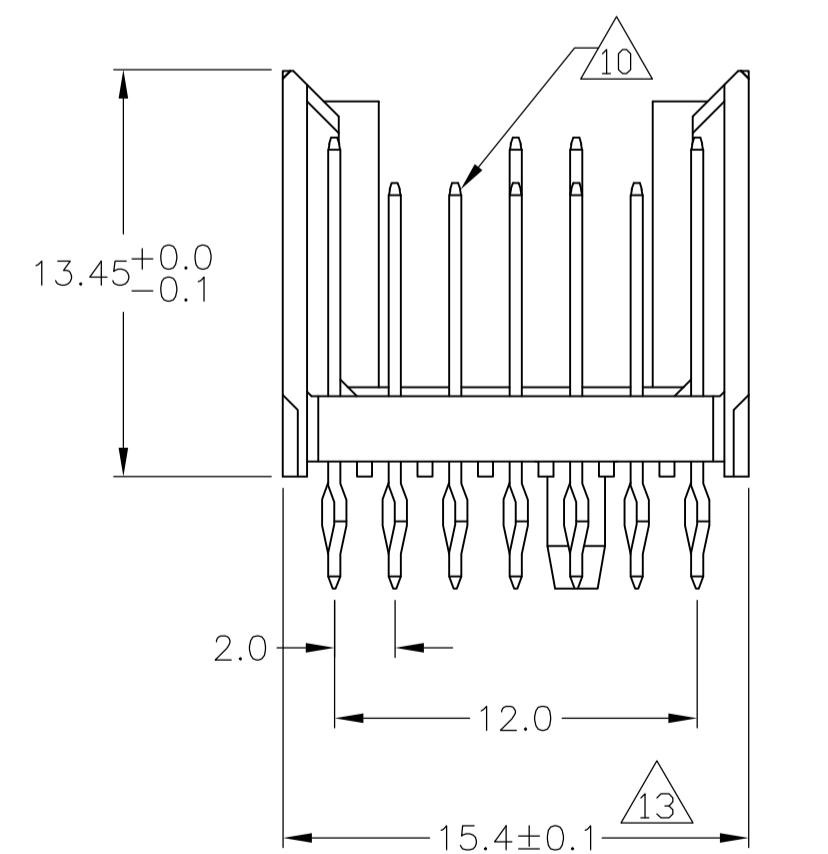
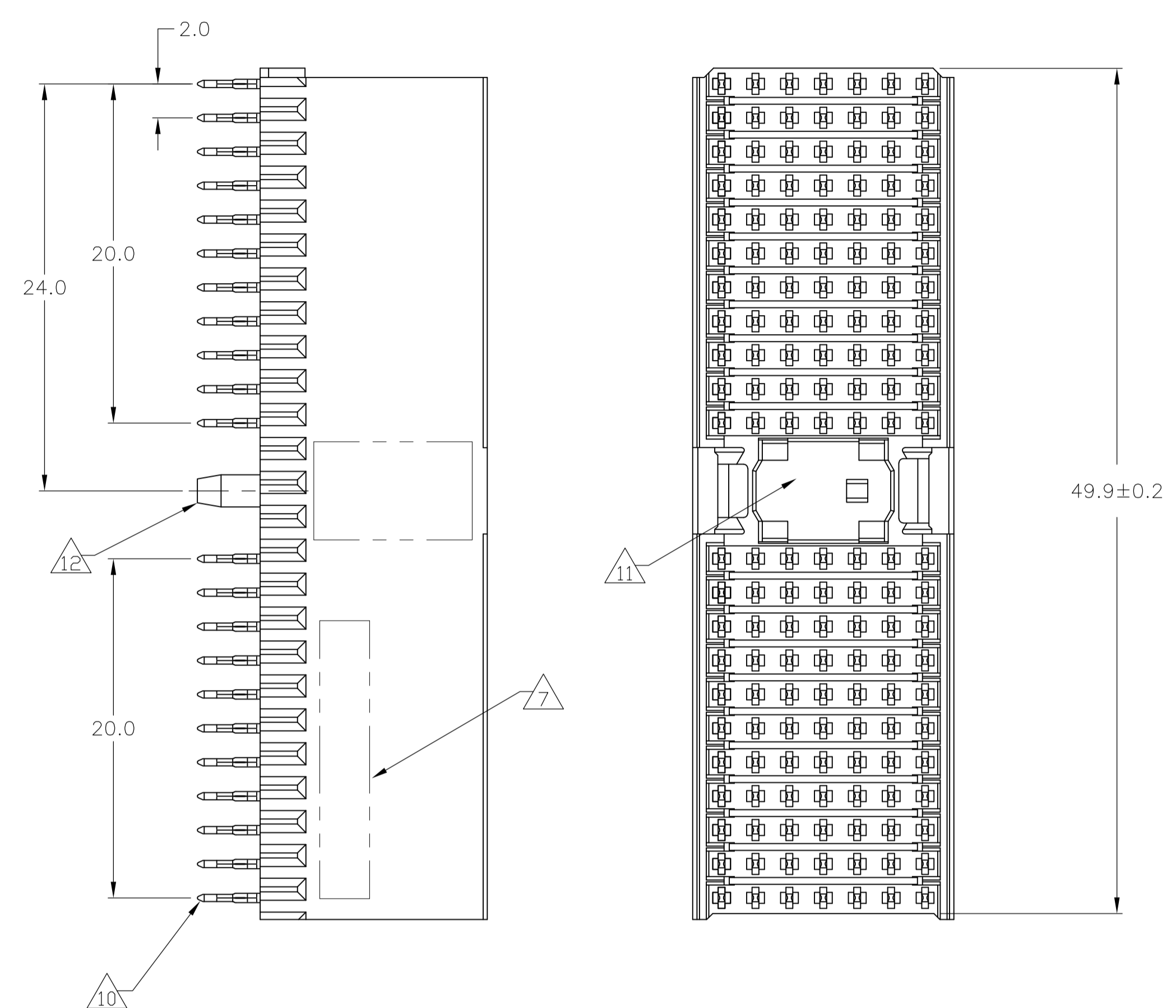
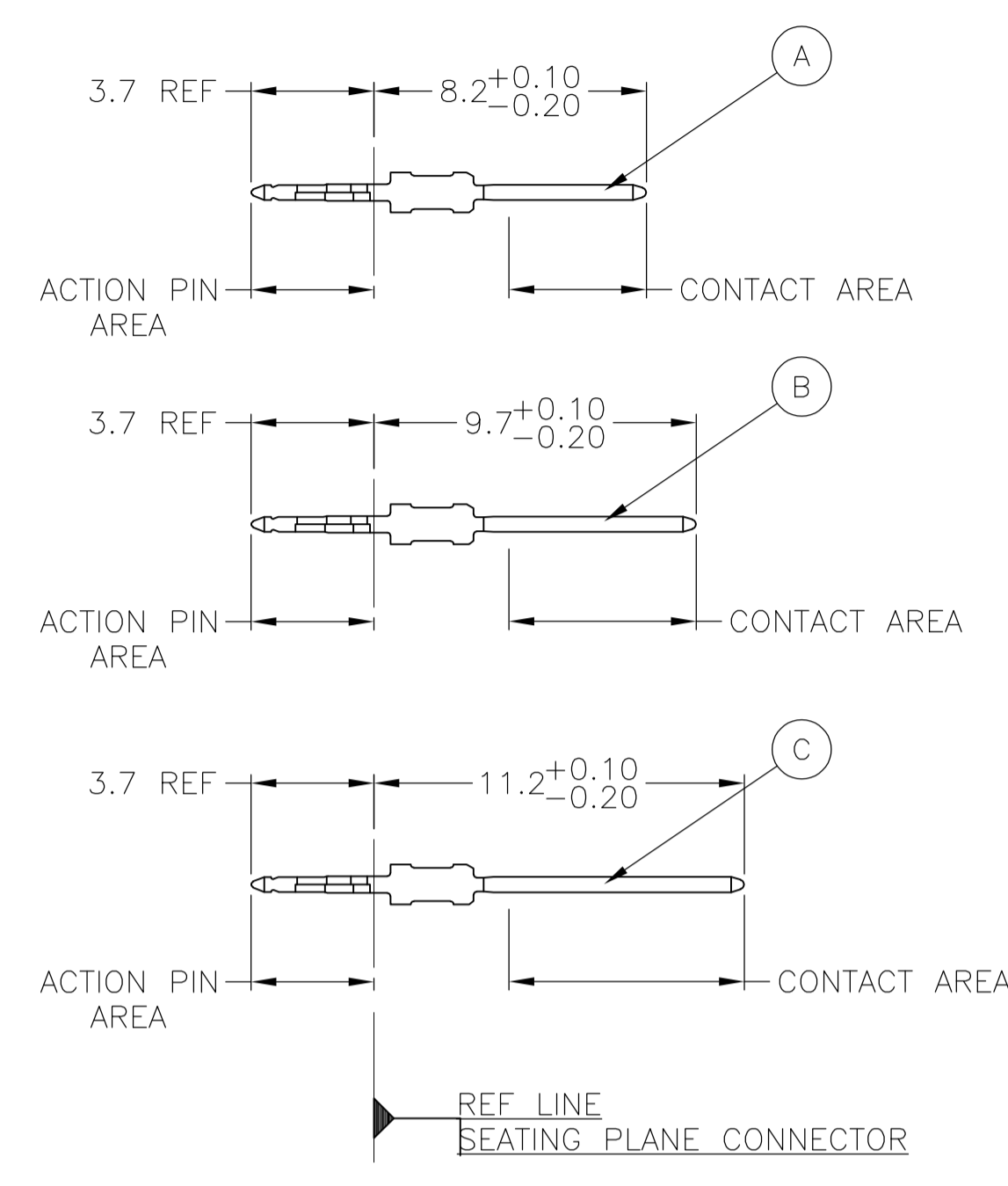


CONNECTOR ASSEMBLY EXAMPLARY LOADED



CONTACT DIMENSIONS SCALE 5:1



CONTACT LAYOUT

| | | | | | | | |
|----------------------|---|---|---|---|---|---|---|
| | z | a | b | c | d | e | f |
| 1 | C | B | B | B | B | B | C |
| 2 | C | B | B | C | B | B | C |
| 3 | C | B | B | B | C | B | C |
| 4 | C | B | B | C | B | B | C |
| 5 | C | B | B | B | B | B | C |
| 6 | C | B | B | B | B | B | C |
| 7 | C | B | B | B | C | B | C |
| 8 | C | B | B | B | B | B | C |
| 9 | C | B | B | B | C | B | C |
| 10 | C | B | B | B | B | B | C |
| 11 | C | B | B | B | A | B | C |
| MULTI PURPOSE CENTER | | | | | | | |
| 15 | C | B | B | B | C | B | C |
| 16 | C | B | B | B | B | B | C |
| 17 | C | B | A | B | C | B | C |
| 18 | C | B | B | B | B | B | C |
| 19 | C | B | B | B | C | B | C |
| 20 | C | B | B | C | B | B | C |
| 21 | C | B | B | B | C | B | C |
| 22 | C | B | B | C | B | B | C |
| 23 | C | B | B | B | C | B | C |
| 24 | C | B | B | B | B | B | C |
| 25 | C | B | B | B | B | B | C |

RECOMMENDED PCB-HOLE LAYOUT COMPONENT SIDE SHOWN



PLATED THRU HOLES PARAMETERS REFERENCE APPLICATION SPECIFICATION

| | | |
|----------|--------|-------------|
| OBSOLETE | 2 3 15 | 3-352332-0 |
| | 2 6 14 | 1-352332-9 |
| | 2 5 14 | 352332-9 |
| | 2 4 | 352332-4 |
| | 2 3 | 352332-1 |
| FINISH | | PART NUMBER |

THIS DRAWING IS A CONTROLLED DOCUMENT.

| | | | | |
|----------------|--|---------------------|-----------|--|
| DIMENSIONS: mm | TOLERANCES UNLESS OTHERWISE SPECIFIED: | DIN B CARBO 26JUL05 | 26JUL05 | Tyco Electronics Corporation Harrisburg, Pa 17105-3608 |
| 0-PLC ± | 1-PLC ±0.1 | DMN G SKIPPER | 26JUL05 | NAME |
| 2-PLC ± | 3-PLC ± | APVD G SKIPPER | 26JUL05 | PRODUCT SPEC |
| 4-PLC ± | ANGLES | 108-19082 | | MALE ASSEMBLY, Z-PACK 2mm HM, TYPE A |
| MATERIAL | FINISH SEE TABLE | APPLICATION SPEC | 114-19029 | SIZE |
| 1 | | WEIGHT | A1 00779 | CAGE CODE |
| | | CUSTOMER DRAWING | SCALE 4:1 | DRAWING NO |
| | | | | RESTRICTED TO |
| | | | | 352332 |
| | | | | 1 OF 2 |
| | | | | REV H1 |

| LOC | | DIST | | REVISIONS | | | | |
|-----|-----|-------------|------|-----------|------|--|--|--|
| P | LTR | DESCRIPTION | DATE | DN | APVD | | | |
| AD | 00 | SEE SHEET 1 | - | - | - | | | |

- 1 MATERIAL:
CONTACT: PHOSPHOR BRONZE.
HOUSING: GLASS-FILLED POLYESTER.
- 2 GENERAL PLATING SPECIFICATION: UNDERPLATING
(ENTIRE CONTACT): 1.27µm MIN NICKEL AND ACTION
PIN: 0.5µm MIN TIN LEAD.
FOR PLATING OF MATING SURFACES SEE APPLICABLE
SPECIFICATION REFERENCE FOR EACH DASH NUMBER.
- 3 CONFORMS TO ALL TESTING ACCORDING TO IEC 61076-4-101
PERFORMANCE LEVEL 2.
- 4 CONFORMS TO ALL TESTING ACCORDING TO IEC 61076-4-101
PERFORMANCE LEVEL 1.
- 5 CONNECTOR TESTED AND QUALIFIED AGAINST TELCORDIA GR-1217-CORE QUALITY LEVEL 3,
CENTRAL OFFICE APPLICATIONS.
- 6 CONNECTOR TESTED AND QUALIFIED AGAINST TELCORDIA GR-1217-CORE QUALITY LEVEL 3,
UNCONTROLLED ENVIROMENT APPLICATIONS.
- 7 CONNECTOR MARKED WITH PART NUMBER AND DATE CODE.
ADDITIONAL CHARACTERS OR MARKINGS, AS WELL AS THE LOCATION OF THE MARKINGS,
MAY BE ADDED FOR TRACEABILITY BASED UPON MANUFACTURERS DISCRETION.
- 8 PLATED-THROUGH HOLES AT 2x2mm SQUARE GRID
PATTERN DEFINED BY CONTACT LAYOUT.
- 9 FOR ACTUAL PIN LOADING SEE "CONTACT LAYOUT".
- 10 FOR ACTUAL PIN DIMENSIONS SEE "CONTACT DIMENSIONS".
- 11 AREA RESERVED FOR KEYING PART (BASIC P/N 100525)
- 12 POLARIZATION FEATURE.
- 13 TO BE MEASURED AT BOTTOM OF SHROUD.
- 14 CONNECTOR LUBRICATED WITH BELCORE APPROVED LUBRICANT,
TECHNICAL REFERENCE: TR-NWT-001217 ISSUE 1, SEP 1992.
- 15 0.76µm MIN GOLD PLATING ON MATING SURFACES

| | | | | | |
|--|--|--|--|---|--|
| THIS DRAWING IS A CONTROLLED DOCUMENT. | | DIN B CARBO 26JUL05 | | Tyco Electronics Corporation Harrisburg, Pa 17105-3608 | |
| DIMENSIONS: mm | | TOLERANCES UNLESS OTHERWISE SPECIFIED: 0-PLG ± 1-PLG ±0.1 2-PLG ± 3-PLG ± 4-PLG ± ANGLES ± | | APVD G SKIPPER 26JUL05 | |
| MATERIAL SEE SHEET 1 | | FINISH SEE SHEET 1 | | NAME MALE ASSEMBLY, Z-PACK 2mm HM, TYPE A | |
| WEIGHT - | | SIZE A1 | | CAGE CODE 00779 | |
| CUSTOMER DRAWING | | DRAWING NO 352332 | | RESTRICTED TO - | |
| SCALE 4:1 | | SHEET 2 OF 2 | | REV H1 | |

单击下面可查看定价，库存，交付和生命周期等信息

[>>TE Connectivity\(泰科\)](#)