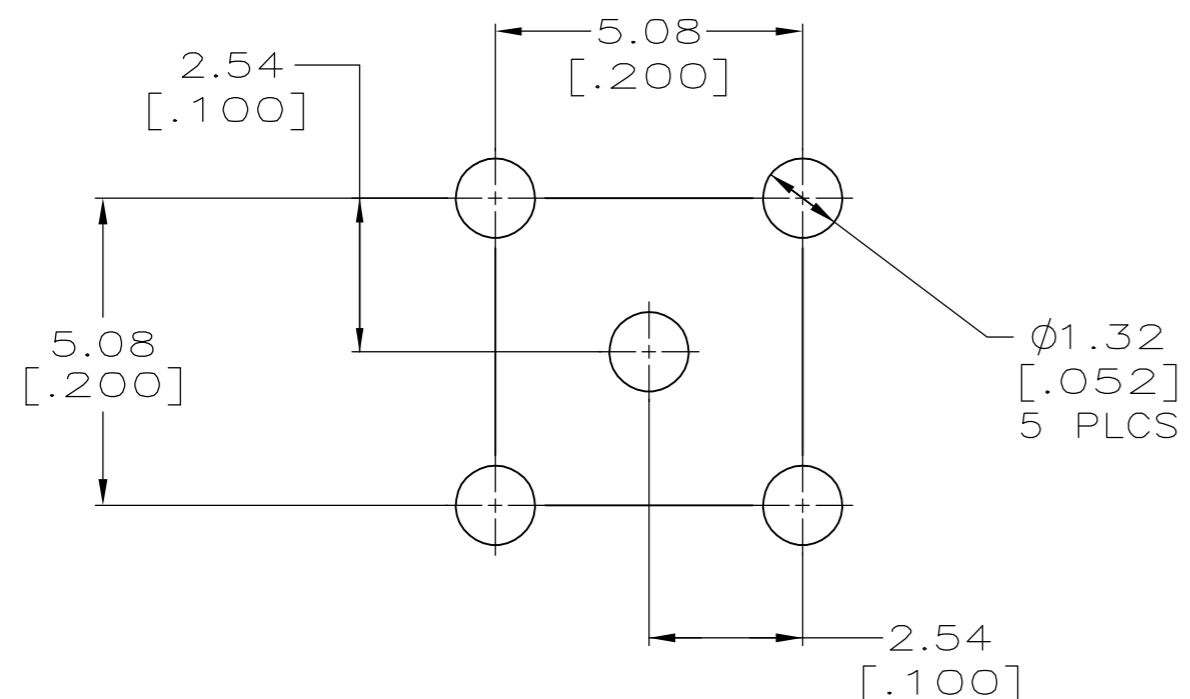
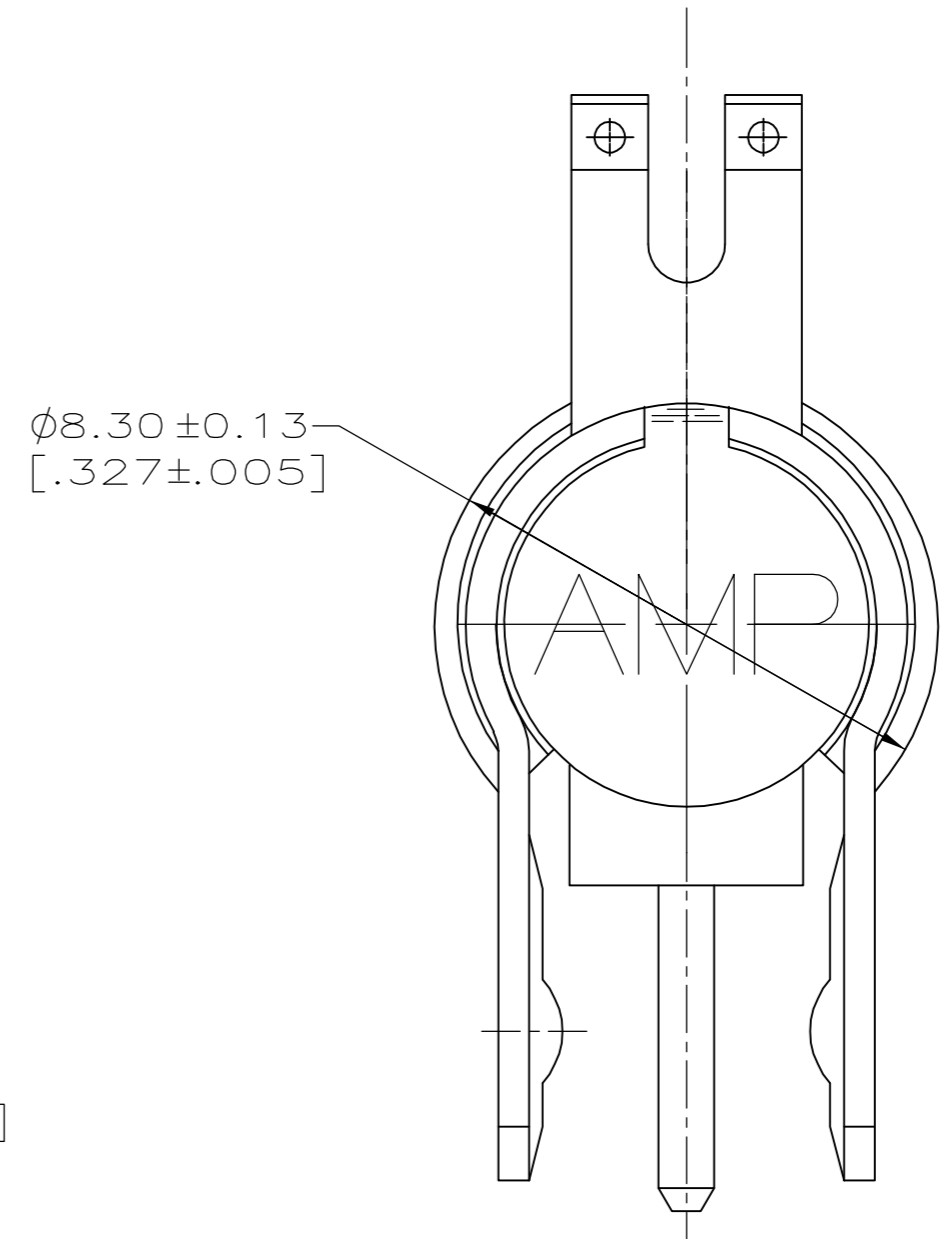
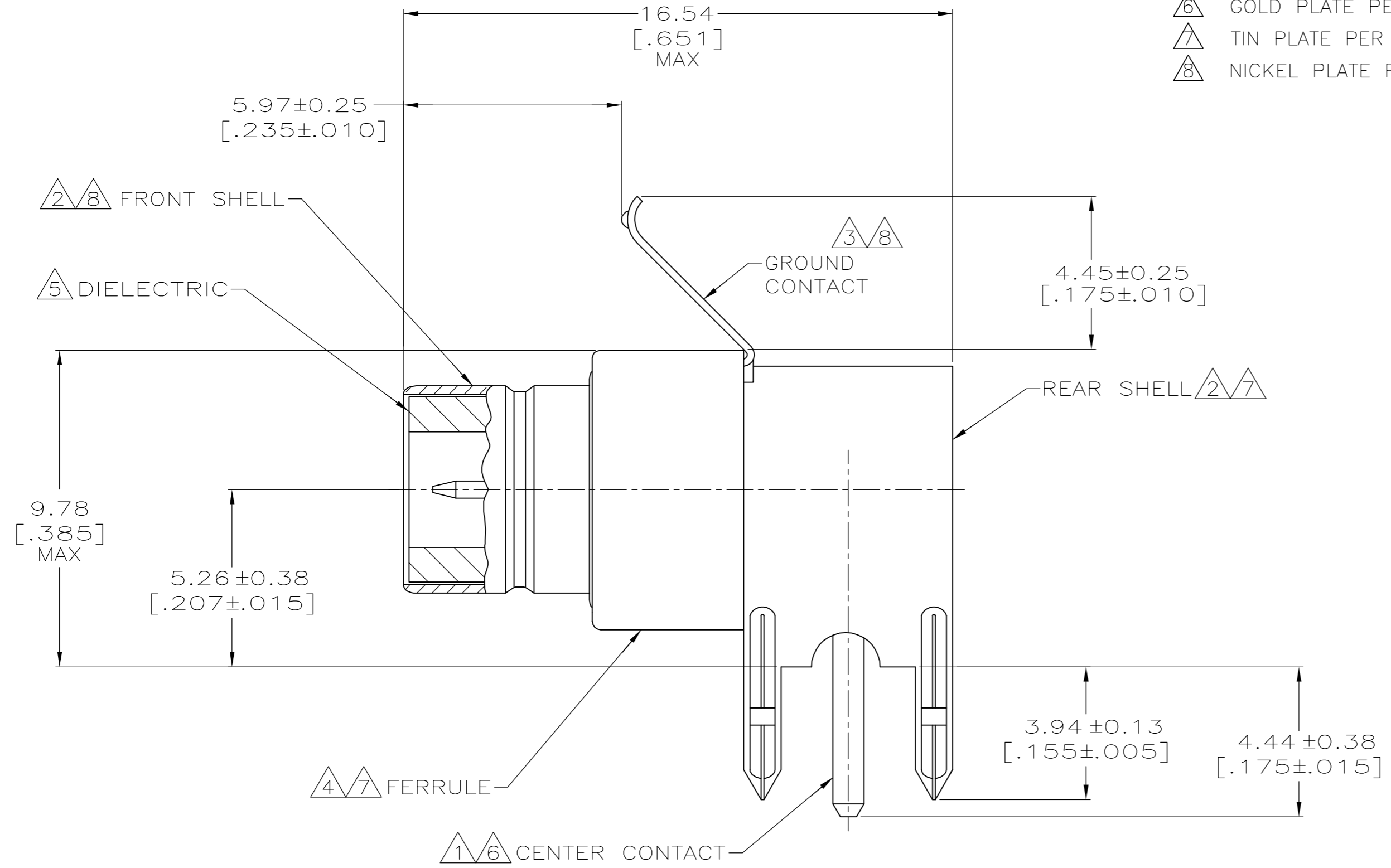


THIS DRAWING IS UNPUBLISHED. RELEASED FOR PUBLICATION
 © COPYRIGHT BY TYCO ELECTRONICS CORPORATION. ALL RIGHTS RESERVED.

Loc	DIST	REVISIONS			
P	LTR	DESCRIPTION	DATE	DWN	APVD
AJ	16	0	REV PER EC-0S14-0496-04	31JAN2005	LV JGH

- ① BRASS PER ASTM-B-16.
- ② BRASS PER ASTM-B-36.
- ③ PHOSPHOR BRONZE PER ASTM-B-103.
- ④ COPPER PER ASTM-B-152.
- ⑤ POLYMETHYLPENTENE (TPX MX004).
- ⑥ GOLD PLATE PER ASTM B 488.
- ⑦ TIN PLATE PER ASTM-B-545.
- ⑧ NICKEL PLATE PER QQ-N-290.



RECOMMENDED PCB HOLE CONFIGURATION

5415895-1
 PART NUMBER

THIS DRAWING IS A CONTROLLED DOCUMENT.		DWN L. VARELA - DOCK5 31JAN2005	Tyco Electronics Corporation Harrisburg, PA 17105-3608	
DIMENSIONS: mm [inches]		CHK J. HAVENER 31JAN2005		
TOLERANCES UNLESS OTHERWISE SPECIFIED:		APVD J. HAVENER 31JAN2005	NAME JACK WITH PANEL GROUND, PCB, RIGHT ANGLE, 75 OHM, SMB	
0 PLC ± - 1 PLC ± - 2 PLC ± 0.05 [.002] 3 PLC ± - 4 PLC ± - ANGLES ± - FINISH		APPLICATION SPEC	SIZE A2	CAGE CODE 00779
MATERIAL		WEIGHT -	DRAWING NO C=5415895	
		CUSTOMER DRAWING	RESTRICTED TO	SCALE 8:1 SHEET 1 OF 1 REV 0

单击下面可查看定价，库存，交付和生命周期等信息

[>>TE Connectivity\(泰科\)](#)