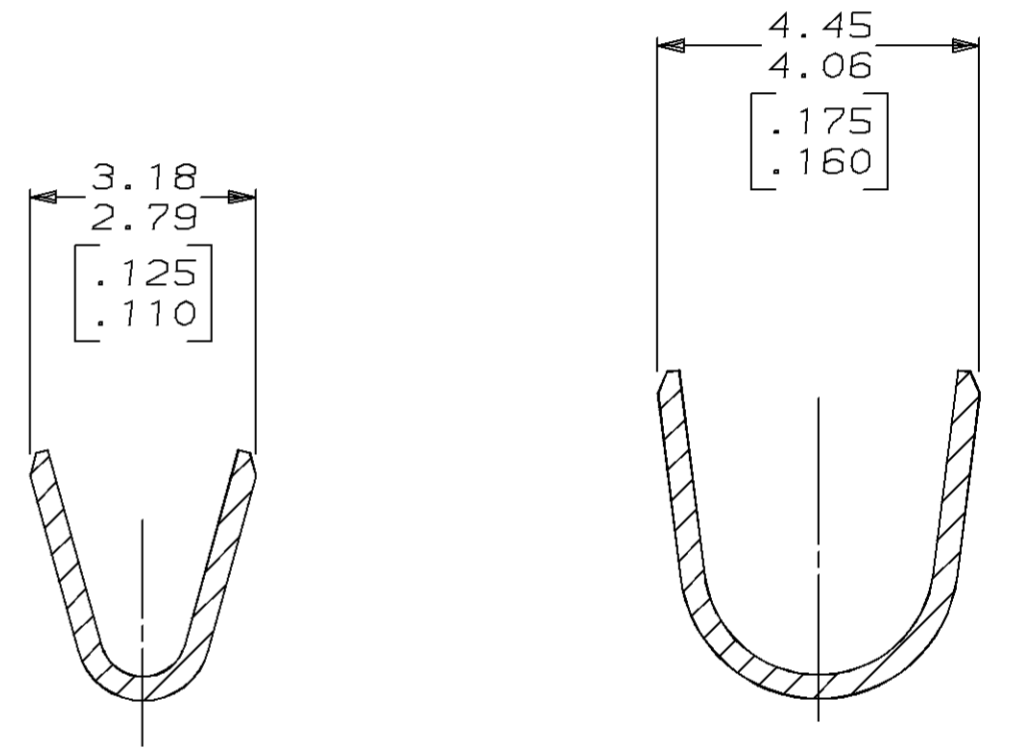
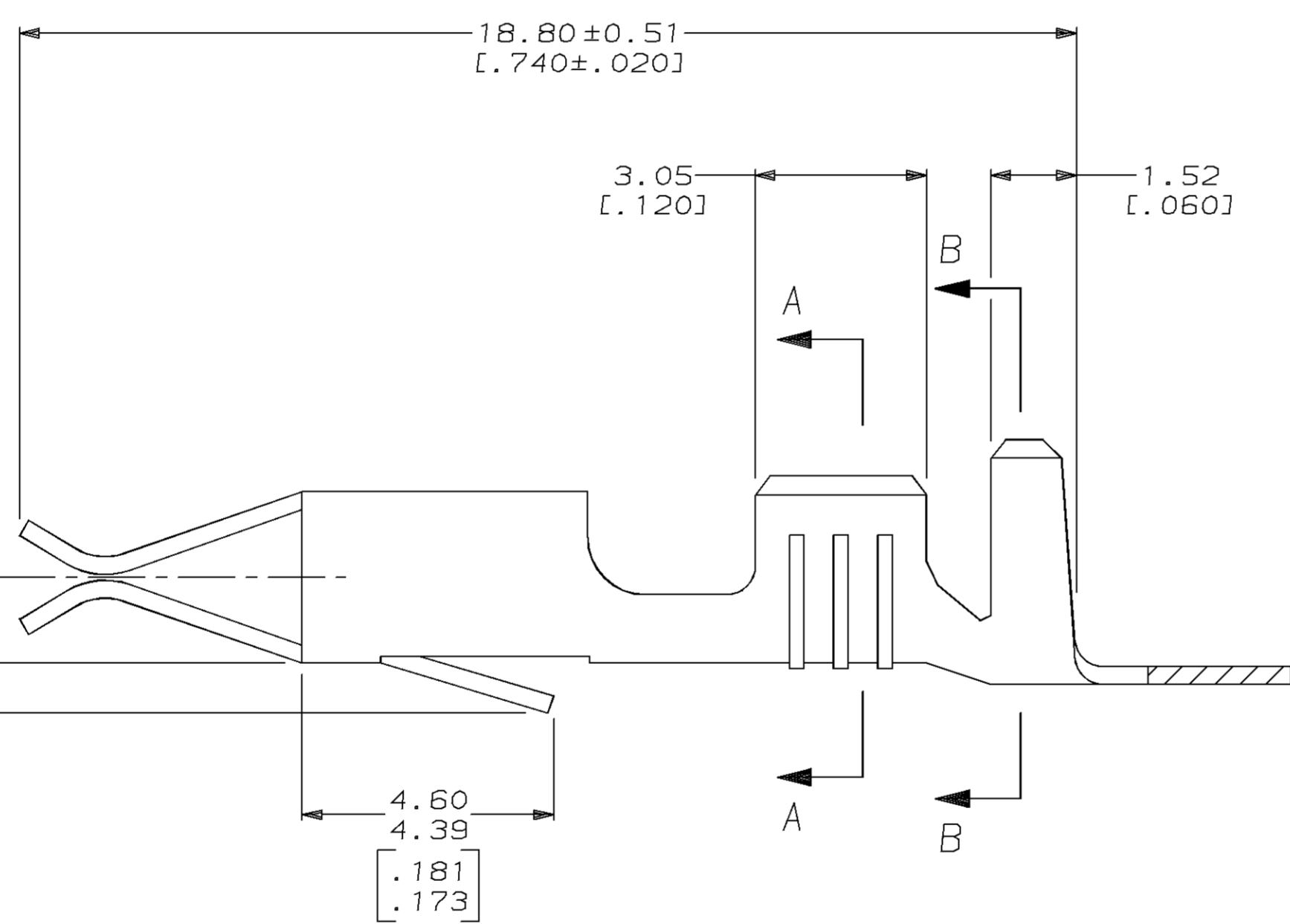
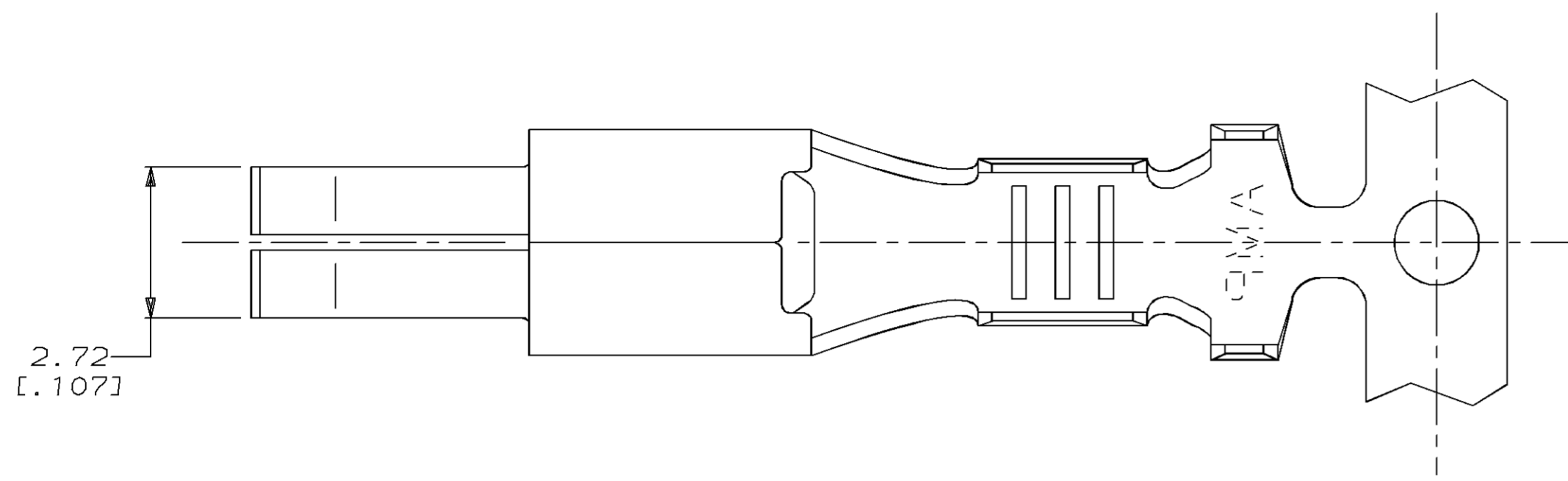
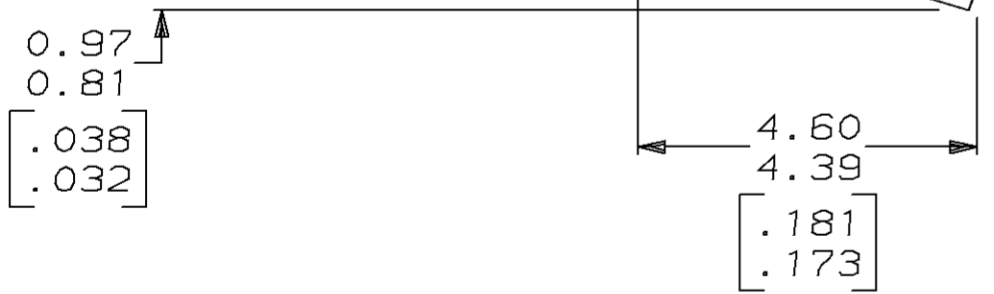


LOC	DIST	P	F	ZONE	LTR	DESCRIPTION	DATE	APPD
AF	50				G	REV PER 0710-0427-95	27/SEP/95	PF DS

1. THIS IS THE DOMESTIC VERSION OF THE GERMAN PART NO. 925590.
2. WIRE RANGE: 0.5 - 1.4 mm² [20 - 16 AWG].
3. INSULATION RANGE: 2.29 - 3.30 [.090 - .130] DIA.
4. DIMENSIONS IN BRACKETS ARE IN INCHES.



SECTION A-A SECTION B-B



FINISH	MATERIAL	PART NO
PRE-TIN	0.30 [.012] PH BRZ	643222-2
PRE-TIN	0.30 [.012] BRASS	643222-1

DO NOT SCALE PRINT. UNLESS SPECIFIED DIMENSIONS IN mm [INCHES] TOLERANCES ON : 2 PLC DEC ± 0.13 [.005] 3 PLC DEC ± - ANGLES ± -	DR 4-12-93 T. BECK	AMP Incorporated Harrisburg, PA 17105-3608	
	CHK 4-12-93 R. SWING		
MATERIAL	APPD 10-6-93 G. MARTIN	NAME	
SEE TABLE	APPD 10-6-93 G. MARTIN	RECEPTACLE, MINI-SPRING	
FINISH	PRODUCT SPEC	SIZE	CAGE CODE
SEE TABLE	-	C	00779
	APPLICATION SPEC	DRAWING NO	
	-	G=643222	
	WEIGHT	SCALE	SHEET
	-	10:1	1 OF 1

METRIC

THIS DRAWING IS A CONTROLLED DOCUMENT FOR AMP INCORPORATED. IT IS SUBJECT TO CHANGE AND THE CONTROLLING ENGINEERING ORGANIZATION SHOULD BE CONTACTED FOR THE LATEST REVISION.

单击下面可查看定价，库存，交付和生命周期等信息

[>>TE Connectivity\(泰科\)](#)