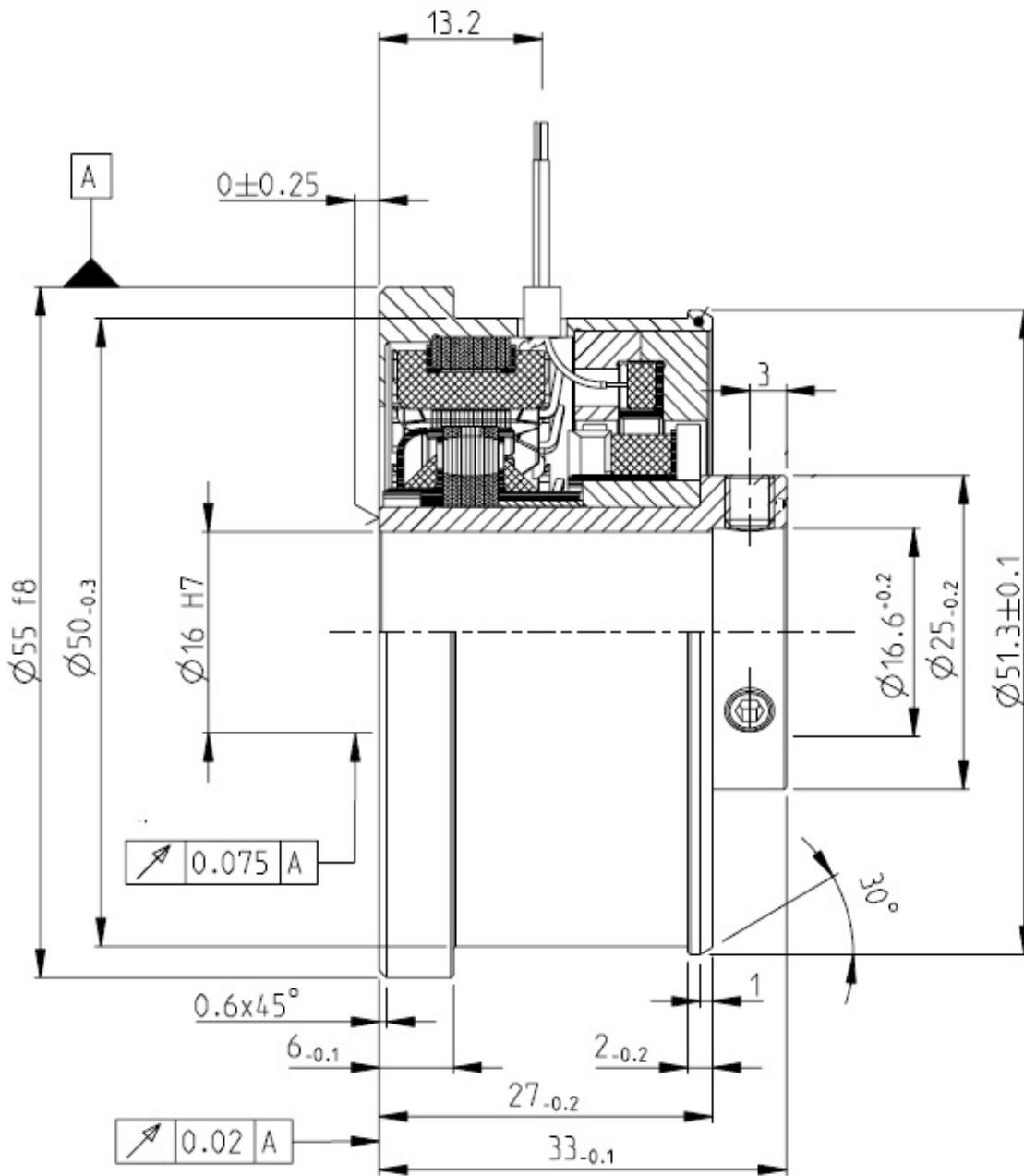




DATA SHEET - HOLLOW SHAFT RESOLVER

PN	3-1393048-1			
Description:	V23401	H9019-B901		
Size	21			
Shaft inner diameter [mm]	16 H7			
Speed - pair of poles - [pp]	1			
Application Spec				
Test protocol	100% EOL testing, stored. Available up on request			
Electrical parameters (at 22°C):				
Input voltage nom. [V _{rms}]	7	Based on nominal Input voltage and Frequency	DC resistance R1R2 [Ω]	21
Frequency nom. [kHz]	7		R1R2 tolerance [±Ω]	2,1
Input current max [mA]	40		DC resistance S1S3 or S2S4 [Ω]	22
Transformation ratio rT [±]	0,45		S1S3 or S2S4 tolerance [±Ω]	2,2
Transf. ratio tolerance [%]	5			
Phase shift min [°]	-9			
Phase shift max [°]	1			
Angular Error [±]	10			
Residual voltage max [mV]	25			
Connect. Wire Length [mm]	470, AWG 26 Teflon Isolated			
High Voltage test	Voltage: 500	$V_{AC} \pm 3\%$ (A)	Measured between:	
	250	$V_{AC} \pm 3\%$ (B)	A: Winding R1-R2 and housing	
	Time: 1s		Winding S1-S3 and housing	
Isolation test	Voltage: 500	$V_{DC} \pm 5\%$ (A, B)	B: Windings S1-S3 and S2-S4	
	Criterion:	$R_{isol.} > 50M\ \Omega$		
"Zero" setting:	Ele. "0" is when Winding Us2-s4 = 0 and Us1-s3 are in phase with Ur1-r2			
Transformation function	Function applies to the clockwise rotation of the rotor when looking at the (grooveless) transformer component from the top			
	$U_{S1-S3} = +rT * U_{R1-R2} * \cos(pp * \varphi)$			
	$U_{S2-S4} = +rT * U_{R1-R2} * \sin(pp * \varphi)$			
Rotor Inertia	approx. 20 g/cm ²			
Max. Rotational Speed	20.000 rpm			
Shock resistance (11ms sine)	1.000 m/s ²			
Vibration (0 ... 2 kHz)	200 m/s ²			
Operating temp.	-55°C...+150°C			



DATE	PN REV.	DWN	APP	DS. REV
2015-06-25	B	P. Lerchenfeld	D. Ondrej	1
2017-04-26	B	P. Lerchenfeld	D. Ondrej	2

单击下面可查看定价，库存，交付和生命周期等信息

[>>TE Connectivity\(泰科\)](#)