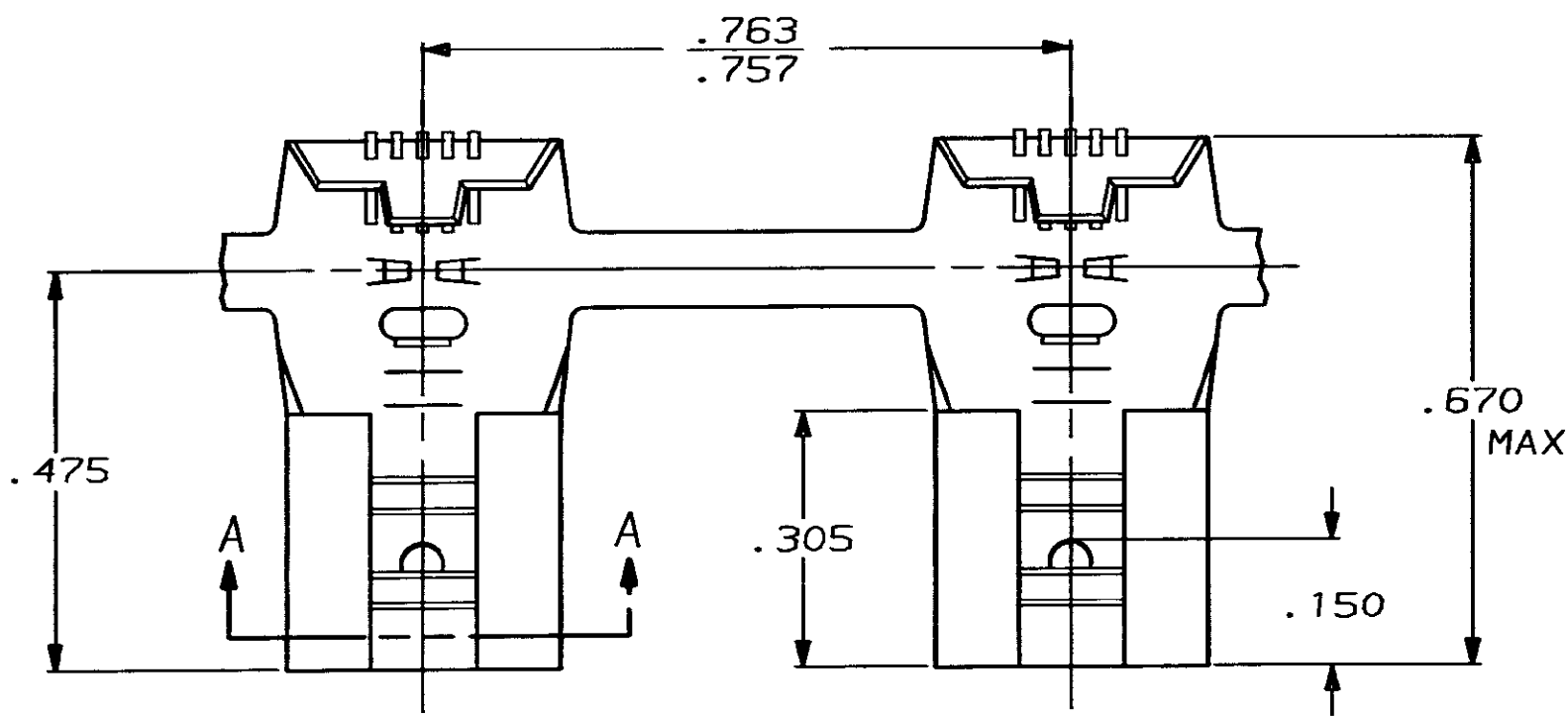
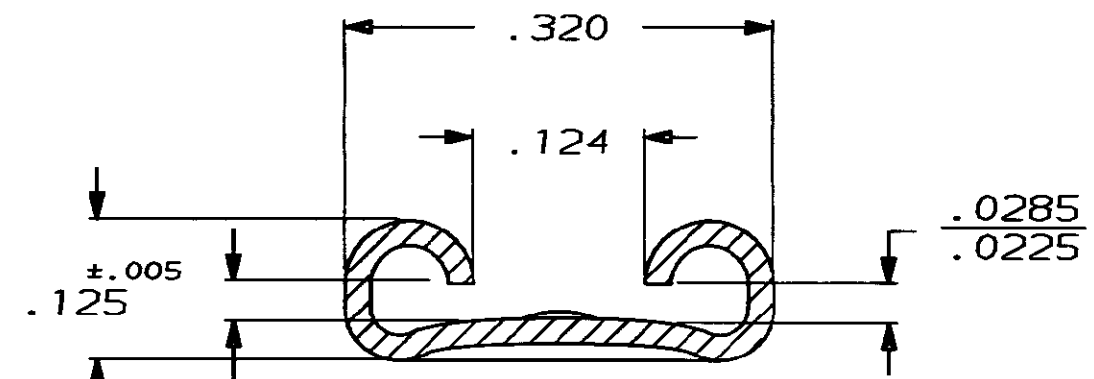


THIS DRAWING IS UNPUBLISHED. RELEASED FOR PUBLICATION, 19
 © COPYRIGHT 1972 BY AMP INCORPORATED, HARRISBURG, PA. ALL INTERNATIONAL RIGHTS RESERVED. AMP PRODUCTS MAY BE COVERED BY U.S. AND FOREIGN PATENTS AND/OR PATENTS PENDING.

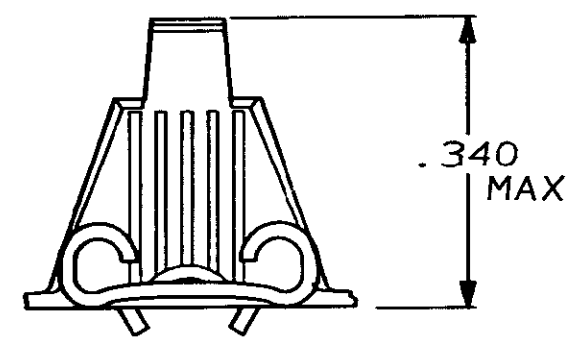
LOC		DIST		ZONE		LTR		REVISIONS		
AF	50	P	F					DESCRIPTION	DATE	APPROVED
						R		REVISED AF-6298	10/19/89	JR/CM



1- CONTINUOUS STRIP ON REELS.



FITS .250 SERIES FASTON TAB
 SECTION A-A



LEFT HAND	18-12	.032 ±.001	TIN	.018 PHOS. BRONZE	62056-7
RIGHT HAND	18-12	.032 ±.001	TIN	.018 PHOS. BRONZE	62056-6
LEFT HAND	18-12	.032 ±.001	---	.018 BRASS	62056-5
LEFT HAND	18-12	.032 ±.001	TIN	.018 4M BRASS	62056-4
RIGHT HAND	18-12	.032 ±.001	TIN	.018 4M BRASS	62056-3
LEFT HAND	18-12	.032 ±.001	SILVER	.018 PHOS. BRONZE	62056-2
RIGHT HAND	18-12	.032 ±.001	SILVER	.018 PHOS. BRONZE	62056-1
REELING	WIRE SIZE	TAB THK	FINISH	MATERIAL	PART NO

UNLESS OTHERWISE SPECIFIED DIMENSIONS ARE IN INCHES TOLERANCES ON: 2 PL DEC ± _____ 3 PL DEC ± .015 ANGLES ± _____	DR	JR RUTH	2/3/86	AMP INCORPORATED Harrisburg, Pa. 17105	
	CHK	M FEHER	2/6/86		
MATERIAL	APPD	C MEYERS	2/7/86		
SEE TABLE	APPD	R KUZO	2/7/86		
FINISH	PRODUCT SPEC	NAME		.250 SERIES FLAG FASTON RECEPTACLE	
SEE TABLE	APPLICATION SPEC	SIZE	FSCM NO		DRAWING NO
	WEIGHT	B	00779		62056
		SCALE	NTS	SHEET	1 OF 1

单击下面可查看定价，库存，交付和生命周期等信息

[>>TE Connectivity\(泰科\)](#)