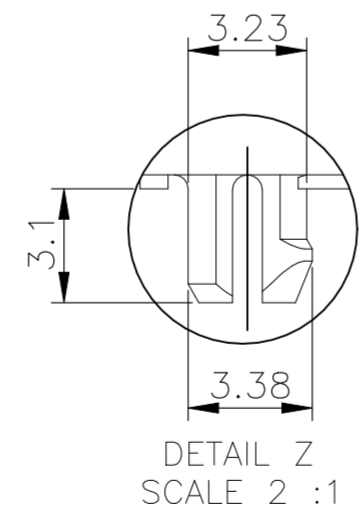
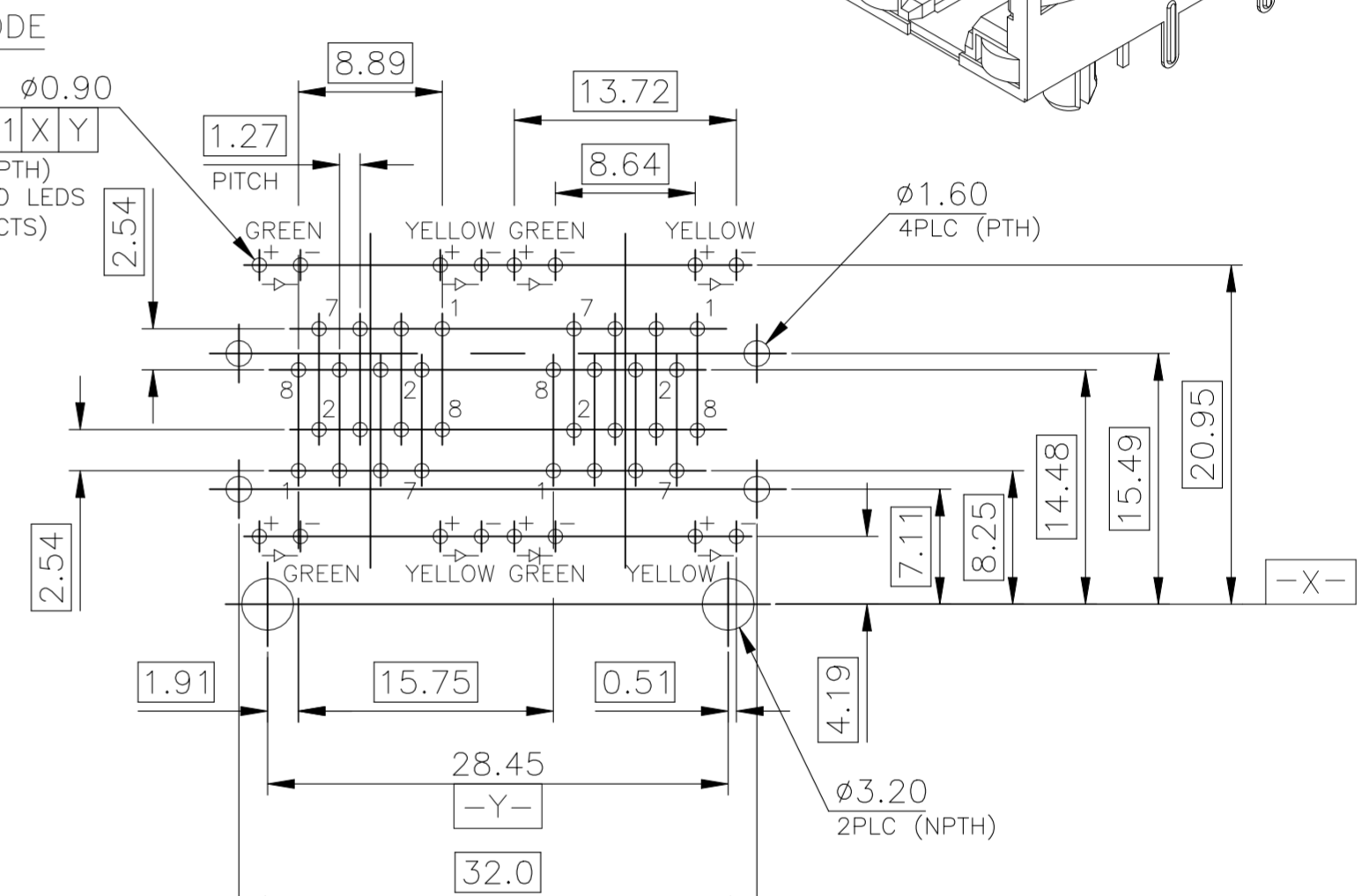
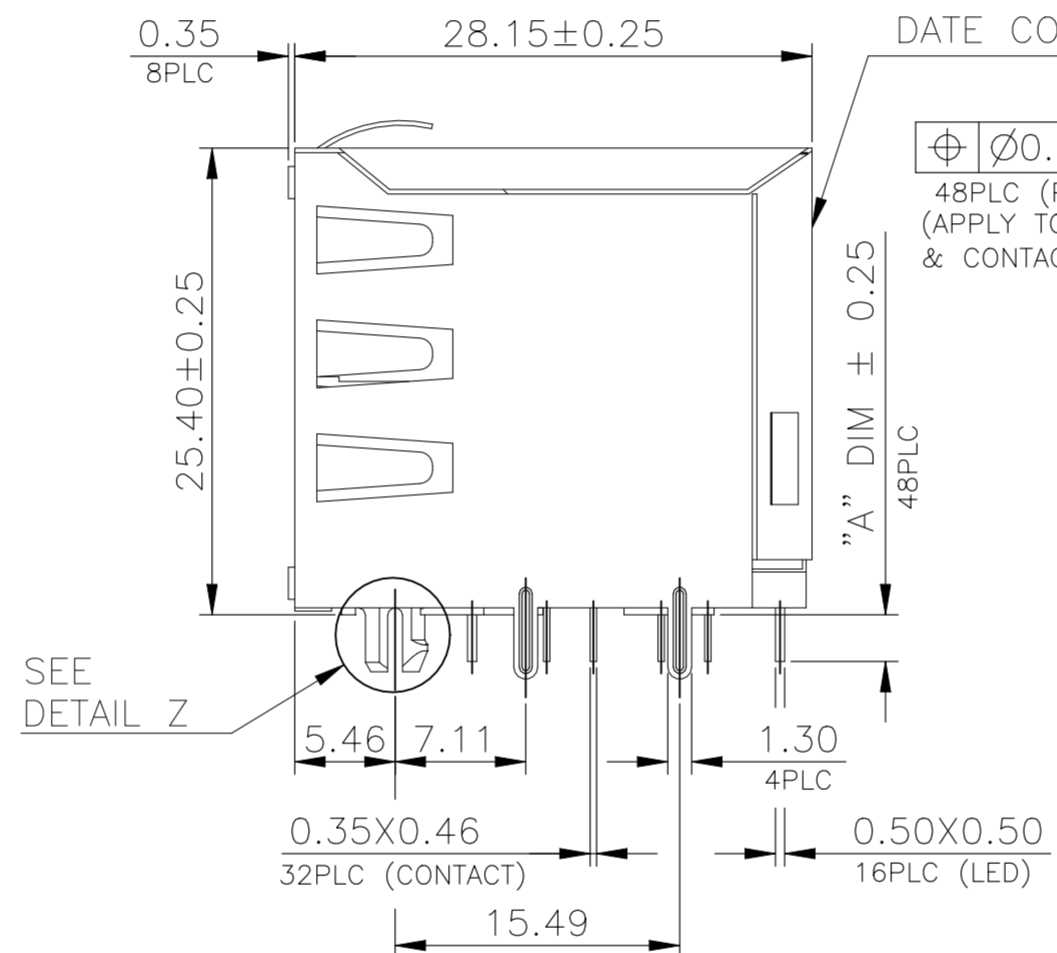
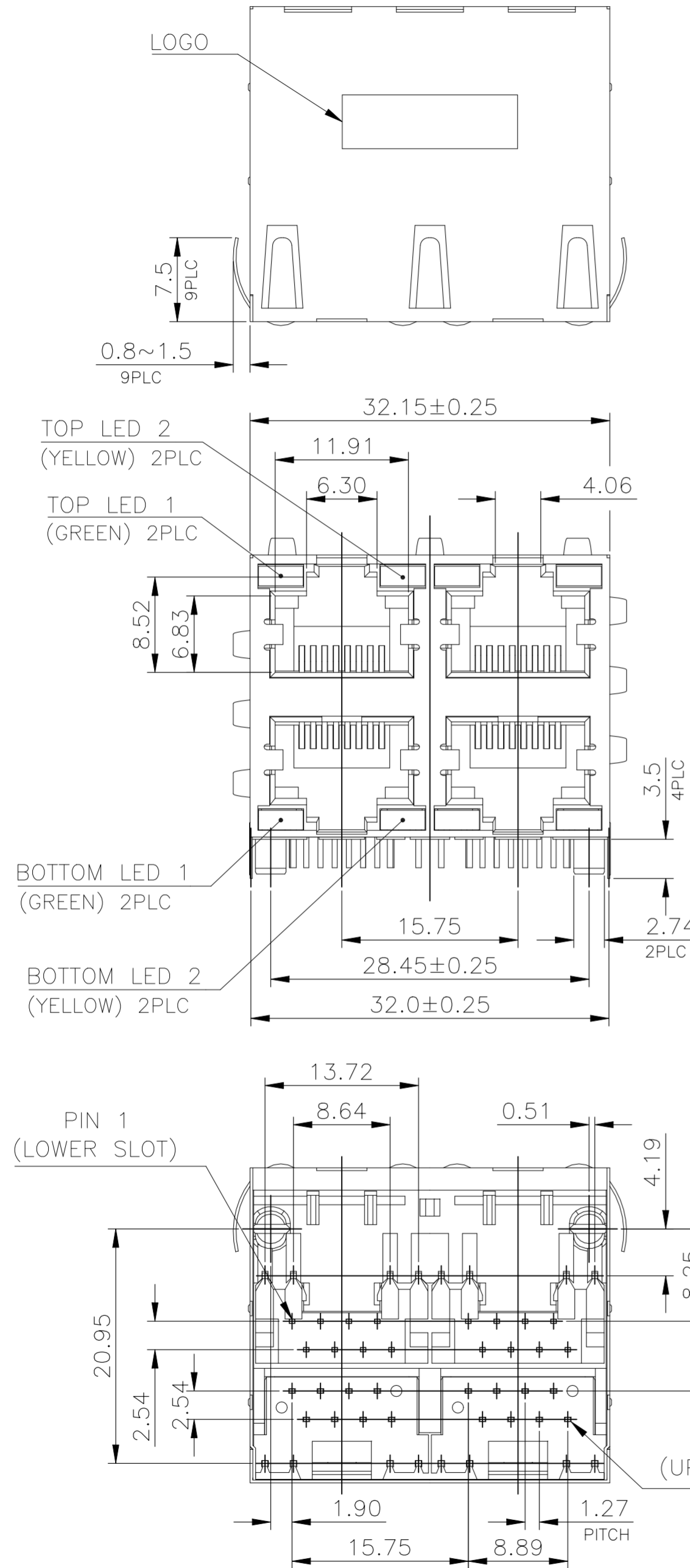
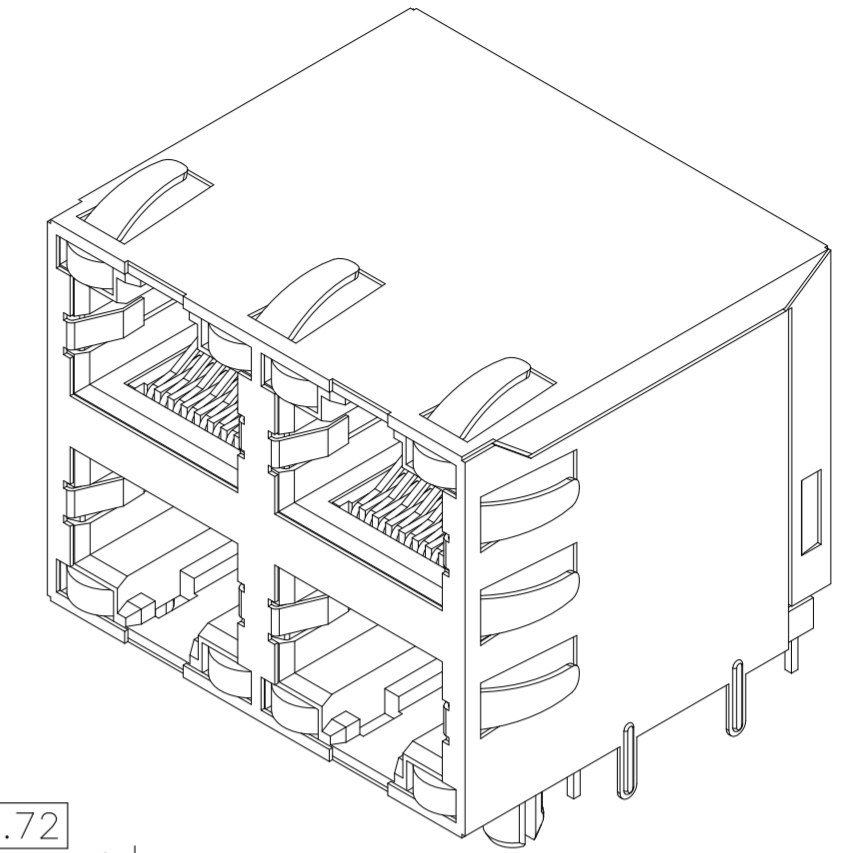


REVISIONS					
P	LTR	DESCRIPTION	DATE	DWN	APVD
B1	ECR-21-104417		02JUN2021	RR	SZ

NOTE:

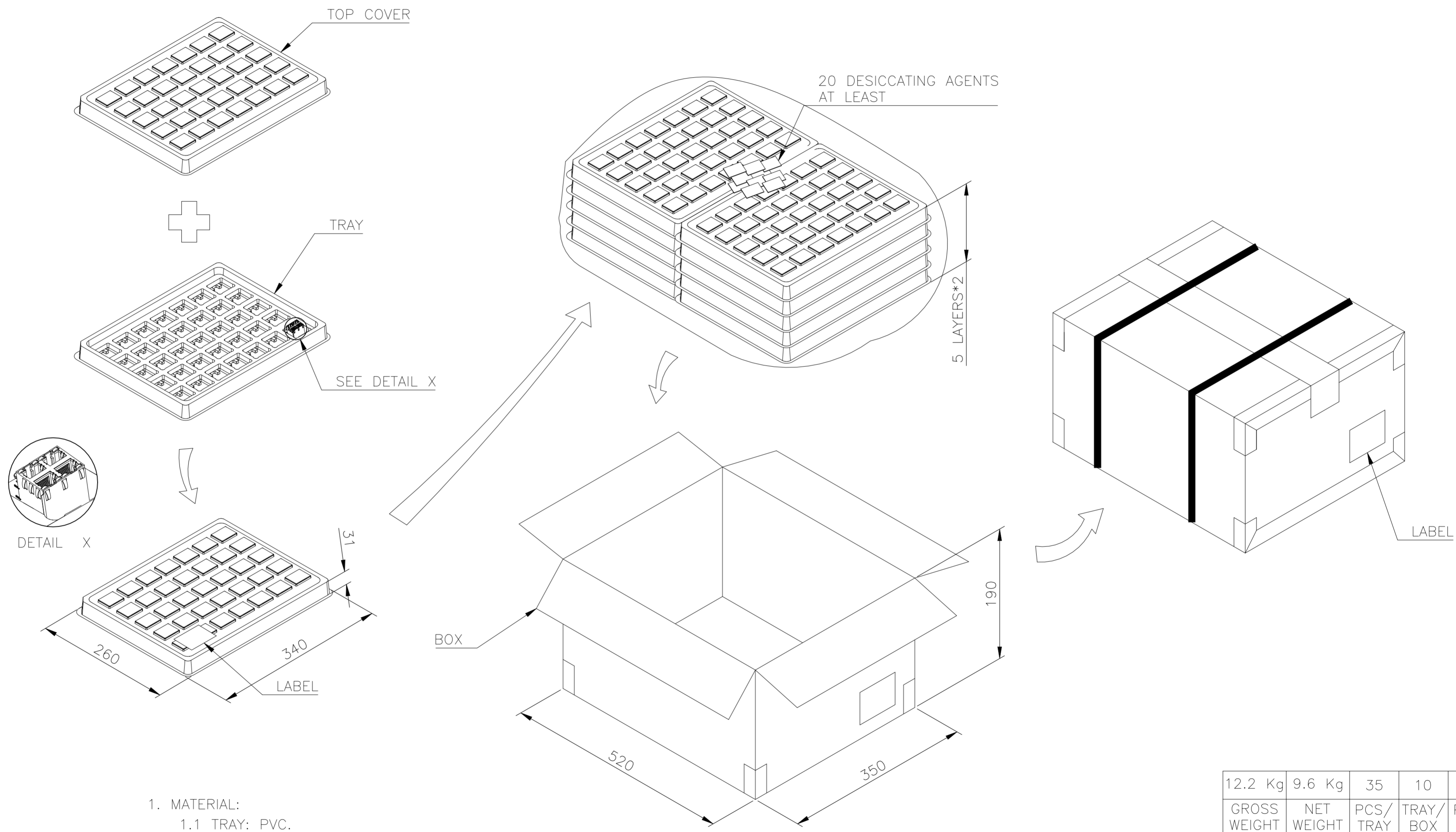
- MATERIAL:
 - HOUSING: PA46, WITH 30% GF, UL94 V-0, BLACK COLOR.
 - CONTACTS: PHOSPHOR BRONZE.
 - SHELL: BRASS.
 - LED SOLDER TAIL: STEEL.
- FINISH:
 - CONTACTS: GOLD PLATING SPEC ON CONTACT AREA PLEASE REFER TO PN SHEET(B1), GOLD FLASH ON SOLDER TAIL, 1.27mm [50μ"] MIN. NICKEL UNDERPLATED OVERALL.
 - SHELL: 0.508mm [20μ"] MIN. NICKEL PLATED.
 - LED SOLDER TAIL: 2.54mm [100μ"] MIN. BRIGHT-TIN PLATED.
- WAVE SOLDER CAPABLE TO 265°C PER TE SPEC. 109-202, CONDITION B.



3.50	0.75um [30u"]	2041376-4
2.54	0.75um [30u"]	2041376-2
2.54	0.152um [6u"]	2041376-1
"A" DIM	GOLD PLATING	PART NUMBER

THIS DRAWING IS A CONTROLLED DOCUMENT.		DWN E.LIU 05JUL2011	TE Connectivity	
DIMENSIONS: mm		CHK S.CHEN 05JUL2011	NAME MODULAR JACK, CONNECTOR, RJ 45, LED 2X2 SIDE ENTRY, SHIELDED, DIP TYPE H=25.4	
TOLERANCES UNLESS OTHERWISE SPECIFIED: 0 PLC ± - 1 PLC ± 0.3 2 PLC ± 0.2 3 PLC ± 0.105 4 PLC ± - ANGLES ± 3°		APVD W. KODAMA 05JUL2011	PRODUCT SPEC 108-57879	
MATERIAL SEE NOTE		FINISH SEE NOTE	WEIGHT 27.45GRAM	RESTRICTED TO -
		CUSTOMER DRAWING	SCALE 1:1	SHEET 1 OF 2
			REV B1	

P	LTR	DESCRIPTION	DATE	DWN	APVD
-	-	SEE SHEET 1	-	-	-



1. MATERIAL:
 - 1.1 TRAY: PVC.
 - 1.2 BOX: CORRUGATED FIBER.
 - 1.3 BAG: PE.
2. DIMENSION: SEE DRAWING
3. QUANTITY: SEE TABLE
4. WEIGHT: SEE TABLE
5. EACH BAG SHALL BE INCLUDED:
 - * DESICCANT

THIS DRAWING IS A CONTROLLED DOCUMENT.

DWN E.LIU 05JUL2011	<p>TE Connectivity</p>
CHK S.CHEN 05JUL2011	
APVD W. KODAMA 05JUL2011	
NAME MODULAR JACK, CONNECTOR, RJ 45, LED 2X2 SIDE ENTRY, SHIELDED, DIP TYPE H=25.4	
PRODUCT SPEC 108-57879	SIZE A2
APPLICATION SPEC -	CAGE CODE 00779
WEIGHT 27.45GRAM	DRAWING NO C=2041376
CUSTOMER DRAWING	RESTRICTED TO -

MATERIAL SEE NOTE	FINISH SEE NOTE	SCALE 1:1	SHEET 2 OF 2	REV B1
----------------------	--------------------	--------------	-----------------	-----------

单击下面可查看定价，库存，交付和生命周期等信息

[>>TE Connectivity\(泰科\)](#)