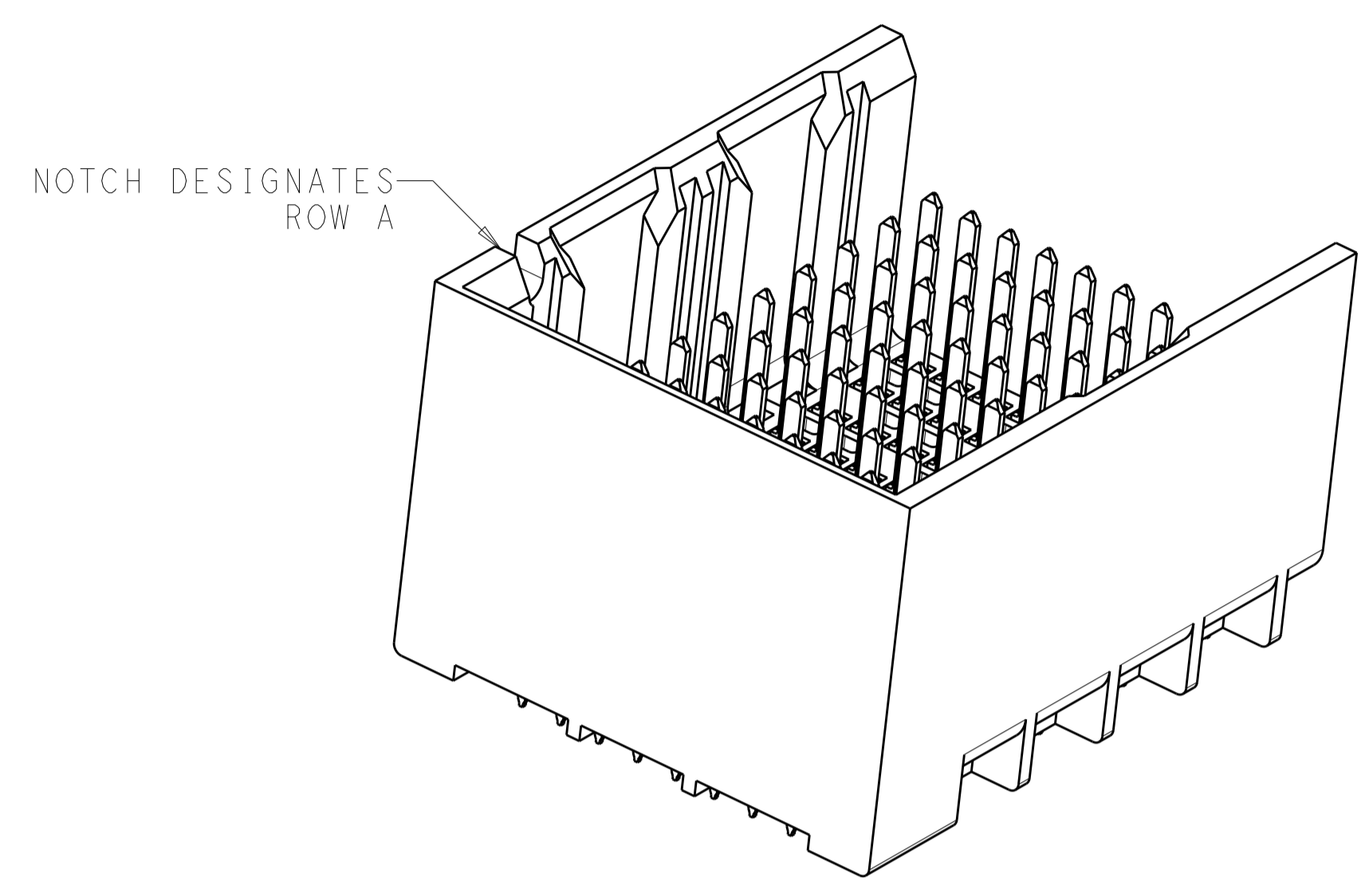
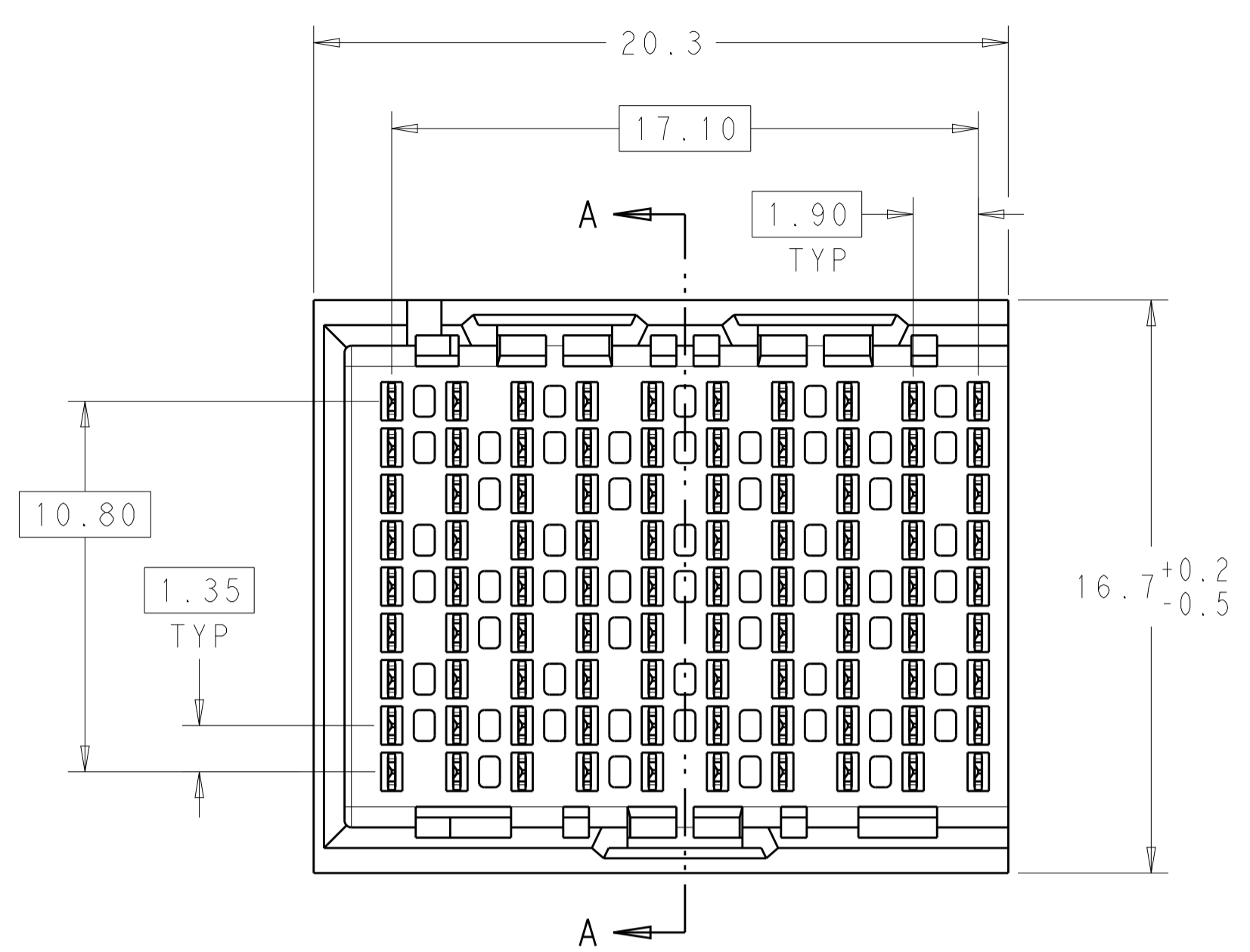
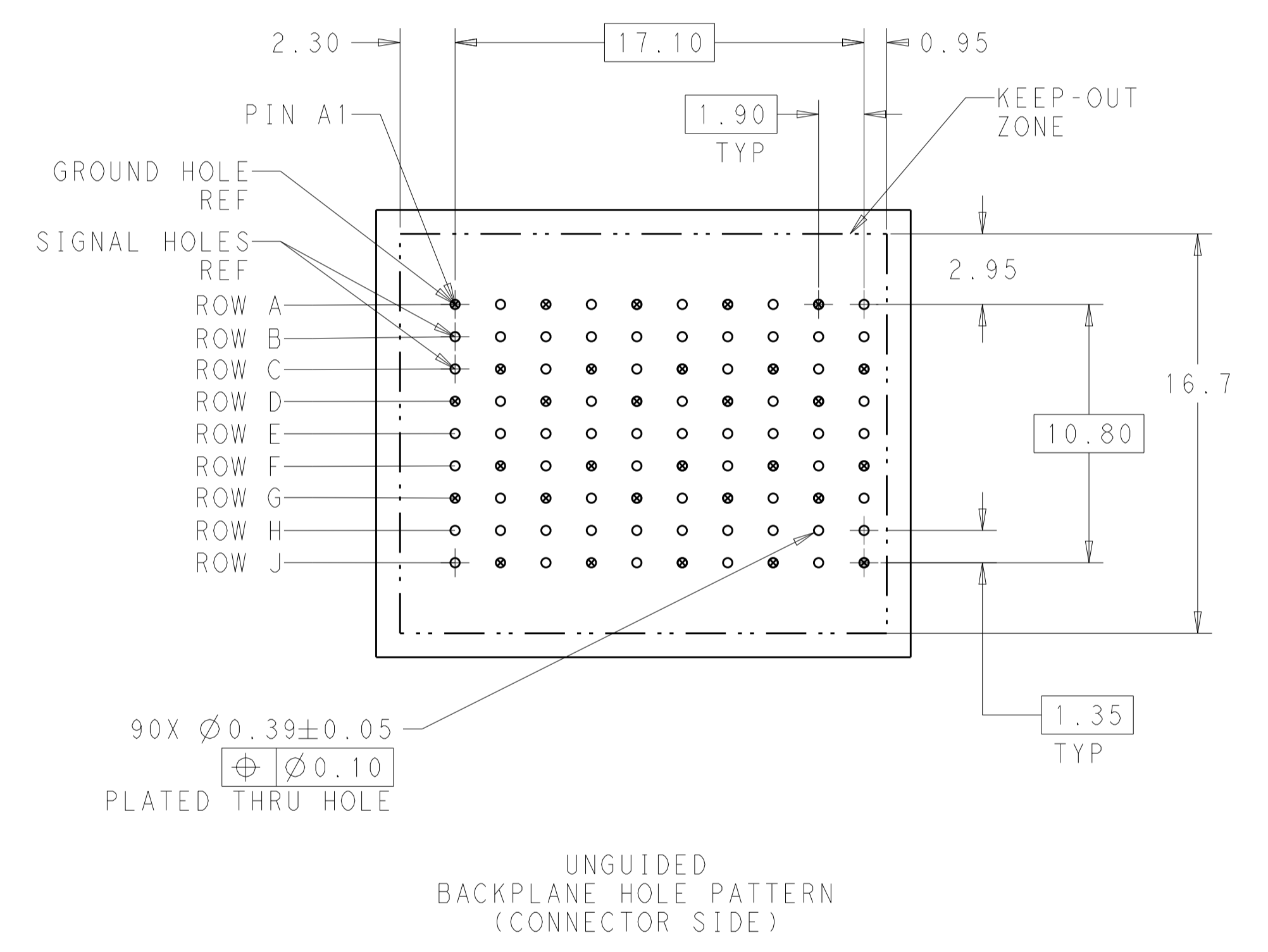
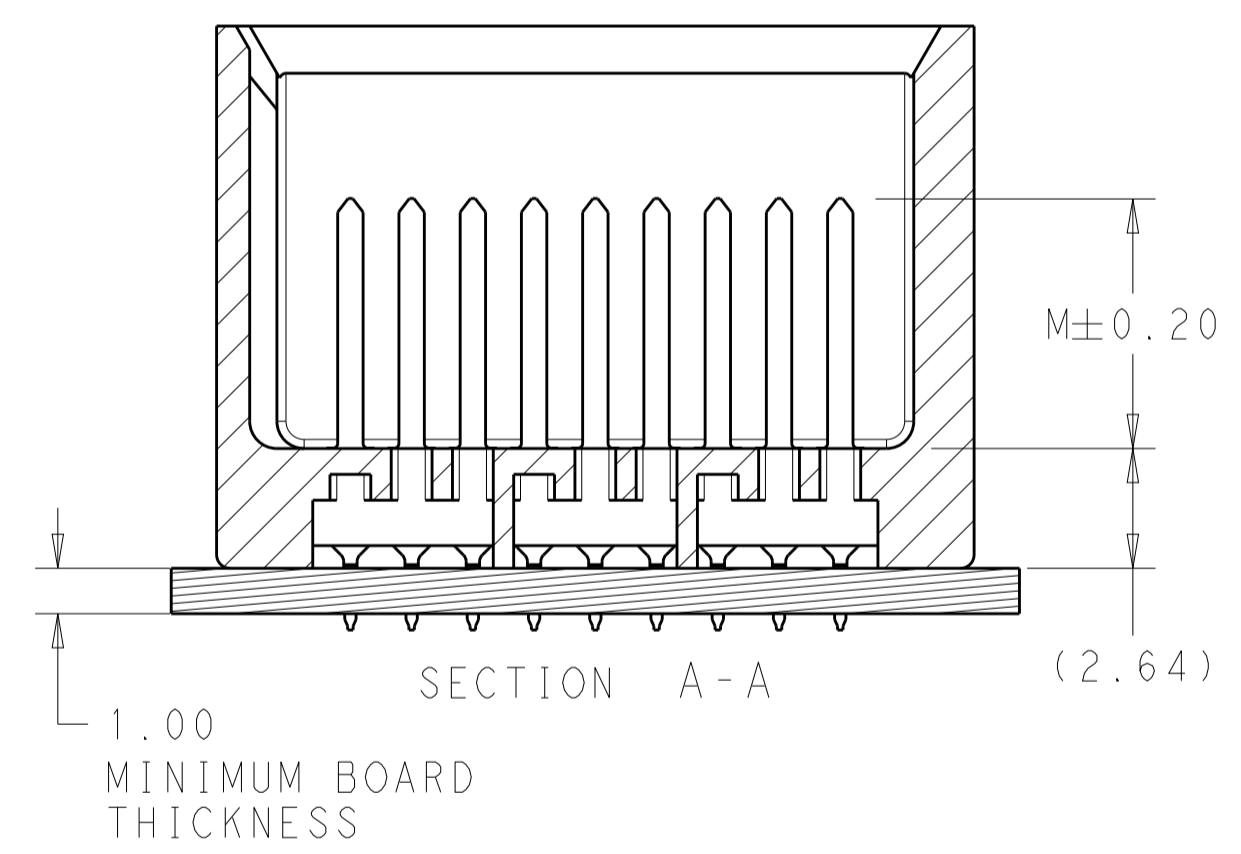
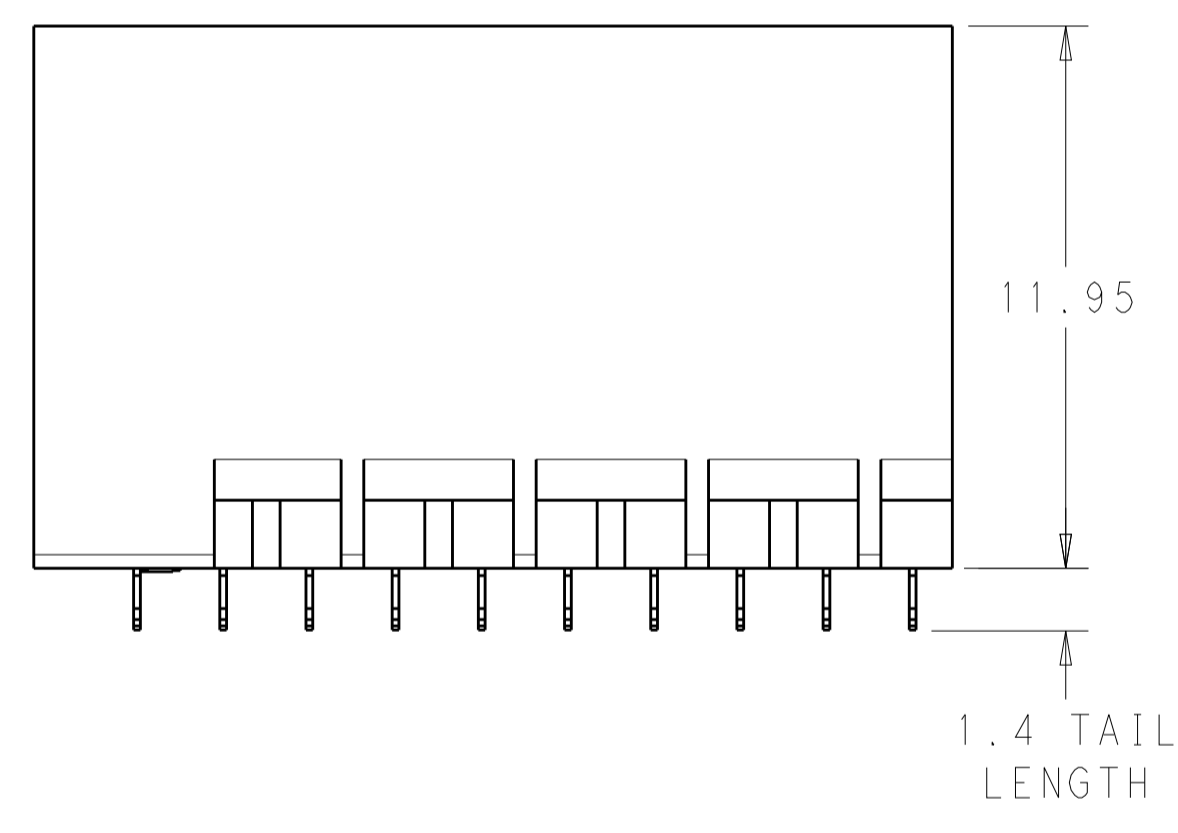


LOC	DIST	REVISIONS			
P	LTN	DESCRIPTION	DATE	DMN	APVD
C1		REVISED PER ECO-17-008265	19MAY2017	A, S	S, Y



- 1 MATERIAL:  
HOUSING: LCP, GLASS FILLED, UL94V-0.  
TERMINALS: HIGH PERFORMANCE COPPER ALLOY.
- 2 FINISH:  
30μ" MIN GOLD IN CONTACT AREA. SELECTIVE TIN ON PCB TAILS, NICKEL OVERALL.
- 3 FINISH:  
30μ" MIN GOLD IN CONTACT AREA. SELECTIVE TIN-LEAD ON PCB TAILS, NICKEL OVERALL.



3	5.5	2007789-6
3	4.9	2007789-5
3	4.5	2007789-4
2	5.5	2007789-3
2	4.9	2007789-2
2	4.5	2007789-1
FINISH	DIM M	PART NUMBER

REFER TO WWW.TE.COM FOR PRODUCT AVAILABILITY

THIS DRAWING IS A CONTROLLED DOCUMENT.		DMN J.K. SHOBER 21DEC2010	<b>TE</b> TE Connectivity
DIMENSIONS: mm		CHK J. EARY 21DEC2010	
TOLERANCES UNLESS OTHERWISE SPECIFIED:		APVD J. EARY 21DEC2010	NAME IMPACT, 3 PAIR, 10 COLUMN, HEADER UNGUIDED, LEFT END WALL SIGNAL MODULE, 0.39 PTH
0 PLC ±0.25		PRODUCT SPEC	
1 PLC ±0.13		APPLICATION SPEC	SIZE CAGE CODE DRAWING NO RESTRICTED TO
2 PLC ±		WEIGHT	A100779C=2007789
3 PLC ±		CUSTOMER DRAWING	SCALE 6:1 SHEET 1 OF 1 REV C1
4 PLC ±			
ANGLES ±			
FINISH SEE TABLE			

单击下面可查看定价，库存，交付和生命周期等信息

[>>TE Connectivity\(泰科\)](#)