

4

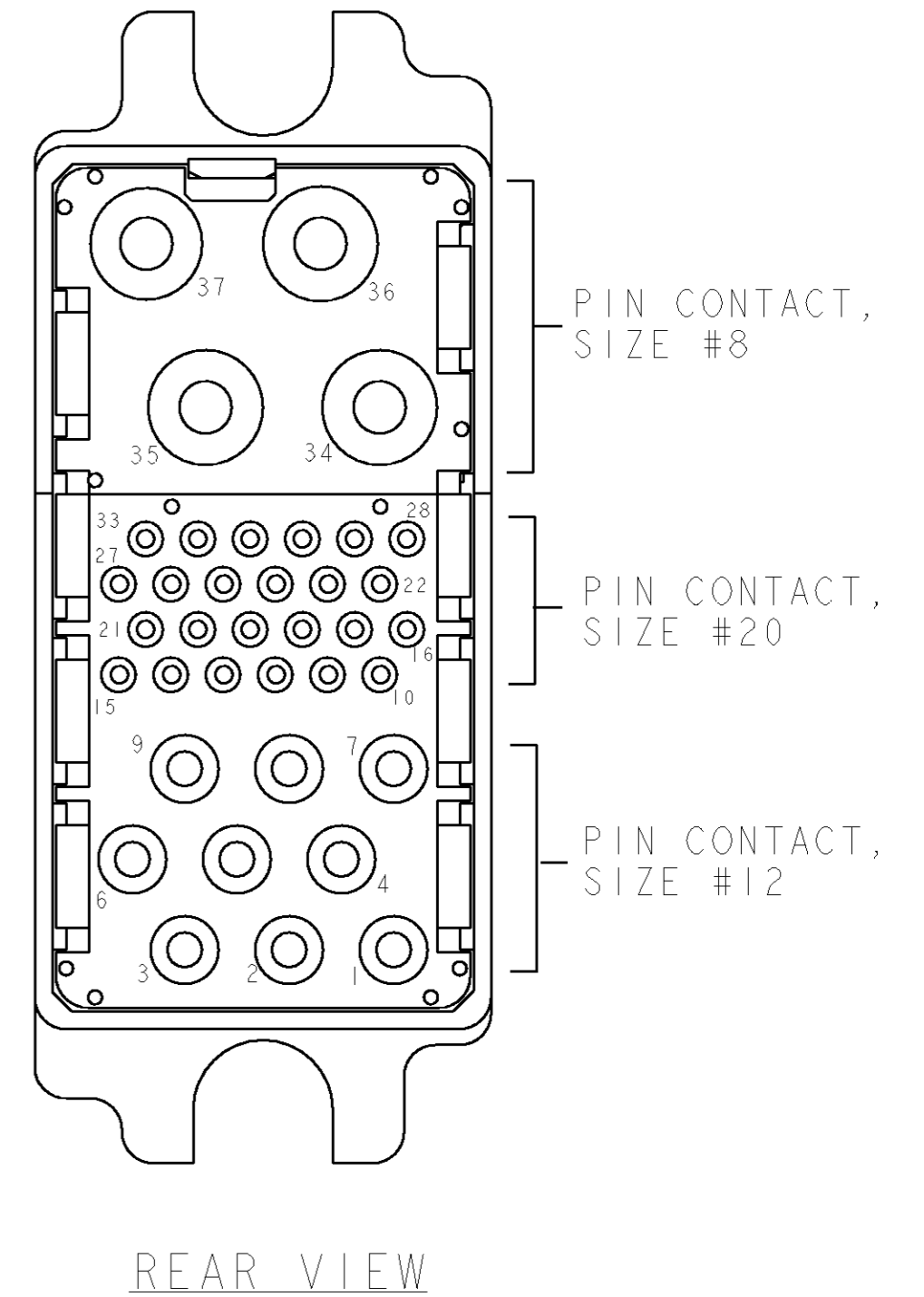
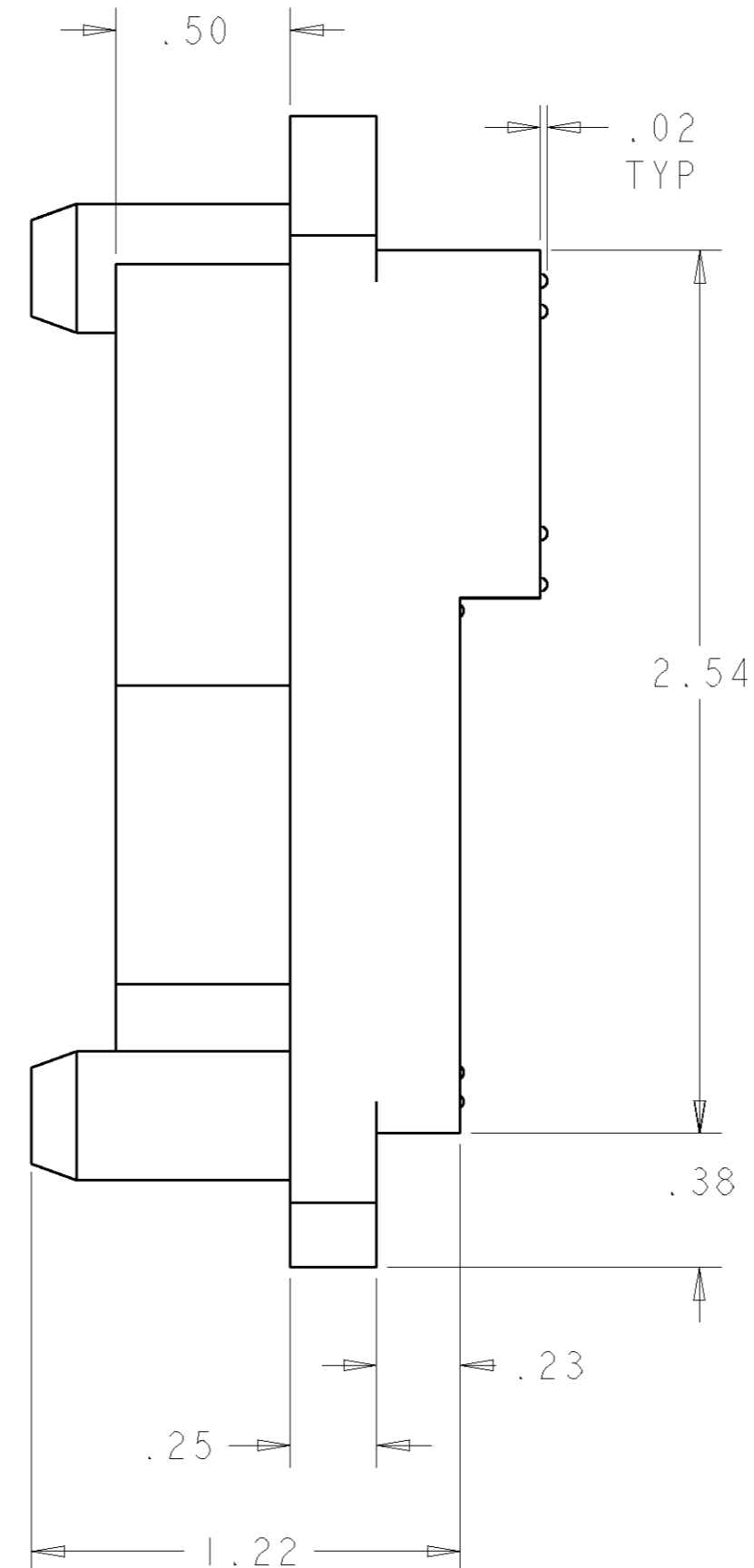
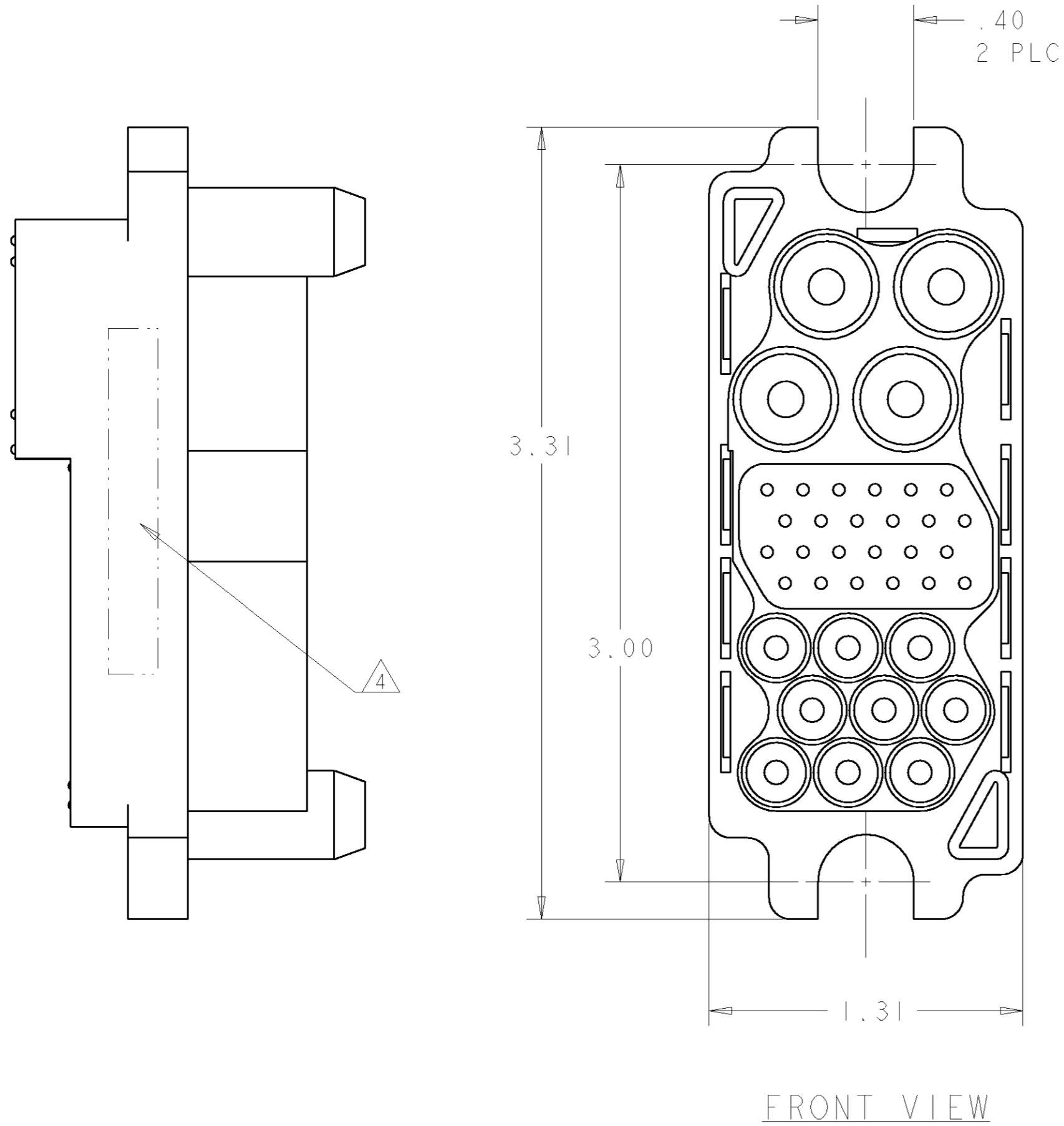
3

2

1

THIS DRAWING IS UNPUBLISHED. RELEASED FOR PUBLICATION 20  
 © COPYRIGHT 20 BY TYCO ELECTRONICS CORPORATION. ALL RIGHTS RESERVED.

| LOC | DIST | REVISIONS |     |                       |           |     |      |
|-----|------|-----------|-----|-----------------------|-----------|-----|------|
| GP  | 00   | P         | LTR | DESCRIPTION           | DATE      | DWN | APVD |
|     |      |           | C   | REV PER ECO-06-007506 | 30MAR2006 | RG  | MP   |



**ELCON DRAWER**

|             |             |
|-------------|-------------|
| AS SHOWN    | 1926026-1   |
| DESCRIPTION | PART NUMBER |

|  |  |  |   |
|--|--|--|---|
| <small>THIS DRAWING IS A CONTROLLED DOCUMENT FOR TYCO ELECTRONICS CORPORATION. IT IS SUBJECT TO CHANGE AND THE CONTROLLING ENGINEERING ORGANIZATION SHOULD BE CONTACTED FOR THE LATEST REVISION.</small> |  | DWN R. GRZYBOWSKI 13FEB2006<br>CHK M. PERCHERKE 13FEB2006<br>APVD M. PERCHERKE 13FEB2006 | <b>tyco</b> Tyco Electronics<br><b>Electronics</b> Harrisburg, PA 17105-3608                            |
| DIMENSIONS: INCHES<br>   | TOLERANCES UNLESS OTHERWISE SPECIFIED:<br>0 PLC ±<br>1 PLC ±<br>2 PLC ±.02<br>3 PLC ±.010<br>4 PLC ±0.0005<br>ANGLES ±.5 | PRODUCT SPEC -<br>APPLICATION SPEC -<br>WEIGHT -   | NAME CONNECTOR, PIN 75 AMP MIDDLE DRAWER<br>SIZE A2 CAGE CODE 00779C DRAWING NO 1926026 RESTRICTED TO - |
| MATERIAL -   | FINISH -   | CUSTOMER DRAWING   | SCALE 4:1 SHEET 1 OF 2 REV C  |



单击下面可查看定价，库存，交付和生命周期等信息

[>>TE Connectivity\(泰科\)](#)