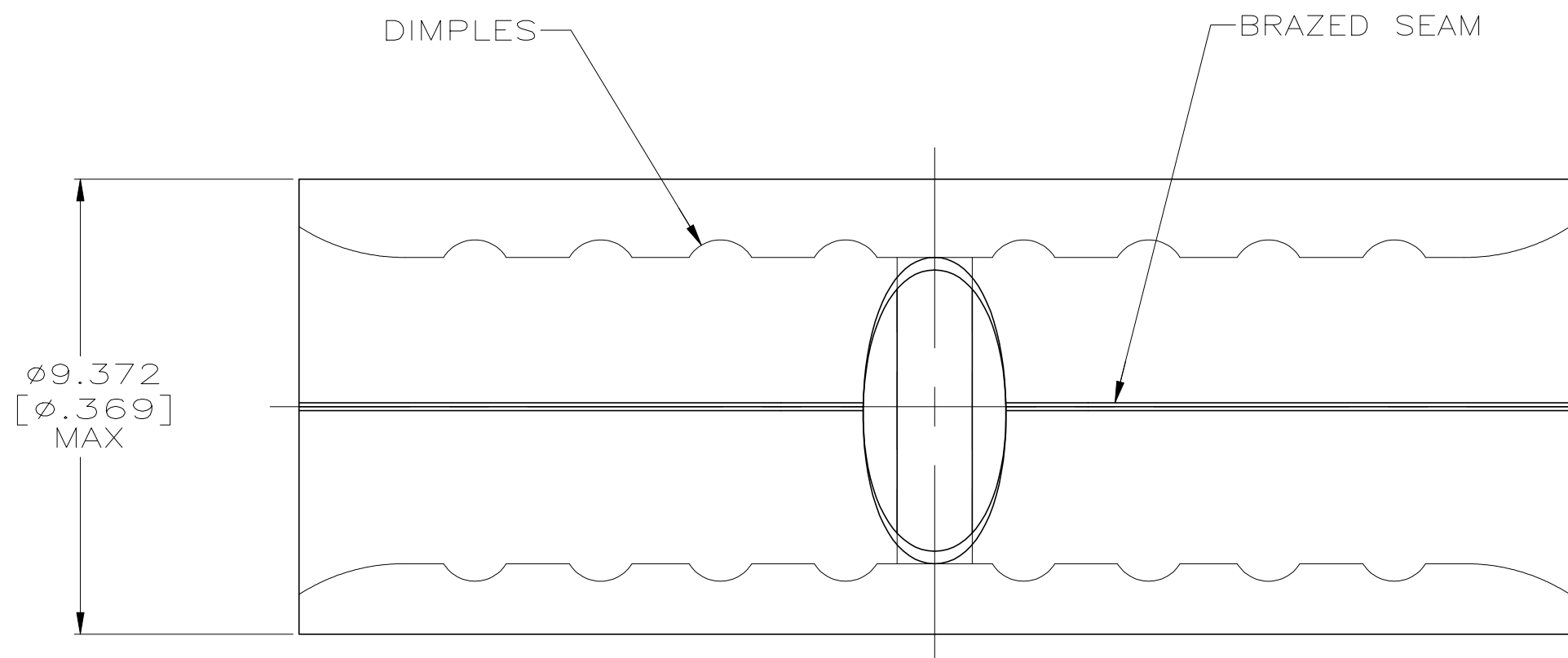
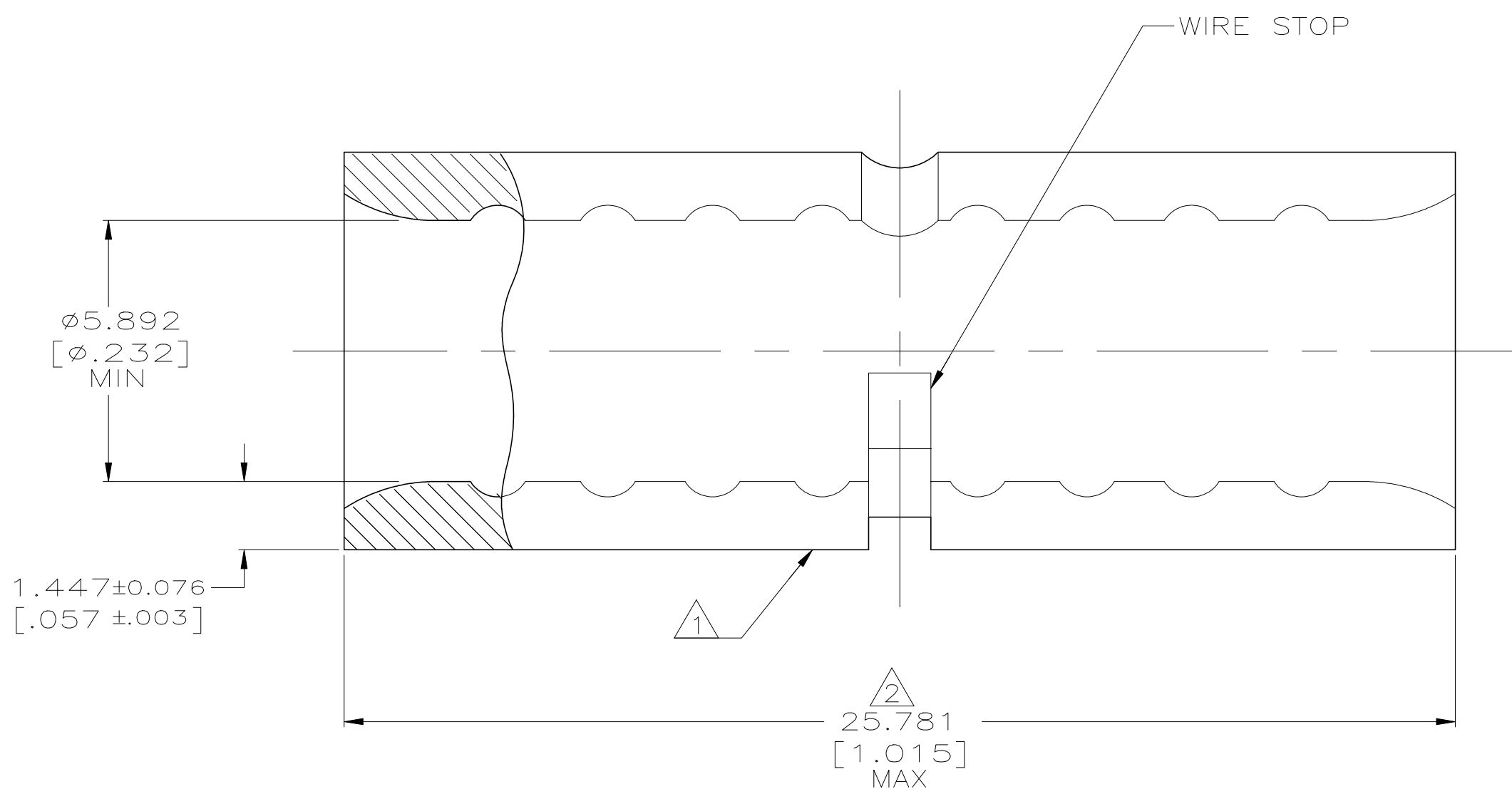


THIS DRAWING IS UNPUBLISHED. RELEASED FOR PUBLICATION  
 © COPYRIGHT - TE Connectivity Ltd. ALL RIGHTS RESERVED.

REVISIONS					
P	LTR	DESCRIPTION	DATE	DWN	APVD
	H2	REVISED PER ECO-18-015553	04OCT2018	RS	DR
	H3	REVISED PER ECO-19-004231	20MAR2019	RS	DR



<b>AMP</b> WIRE RANGE	Listed FILE E13288
6 AWG SOLID OR STRANDED	6 AWG STRANDED



- ① STAMP AMP 6W\* APPROX AS SHOWN
- ② MAXIMUM LENGTH DOES NOT INCLUDE MANUFACTURING TABS
- 3 NOTE DELETED
- 4 NOTE DELETED
- ⑤ SILVER PLATE 0.01270[.000500] MIN THK PER QQ-S-365
- ⑥ NICKEL PLATE 0.00762[.000300] MIN THK PER SAE AMS QQ-N-290
- ⑦ COPPER PER ASTM B-152, ANNEALED

⑧	⑤	170°C[338°F] MAX	2-324309-2
	⑥	343°C[649°F] MAX	324309-2
	FINISH	TEMPERATURE RATING	PART NO.

<b>AMP INCORPORATED</b>		MAX RECOMMENDED OPERATING TEMPERATURE: SEE TABLE
<b>CUSTOMER SERVICE SYSTEMS</b>		
FOR ADDITIONAL PRODUCT INFORMATION OR COPIES OF DRAWINGS AND TECHNICAL DOCUMENTS	PRODUCT INFORMATION CENTER 1-800-522-6752	VOLTAGE RATING: N/A
FOR APPLICATION TOOLING INFORMATION	TOOLING ASSISTANCE CENTER 1-800-722-1111	CIRCULAR MIL AREA: 10.5-16.8mm <sup>2</sup> [20,800-33,100] SOLID OR STRANDED
FOR ORDER ENTRY	1-800-526-5142	THIS DRAWING IS A CONTROLLED DOCUMENT FOR AMP INCORPORATED. IT IS SUBJECT TO CHANGE AND THE CONTROLLING ENGINEERING ORGANIZATION SHOULD BE CONTACTED FOR THE LATEST REVISION.

THIS DRAWING IS A CONTROLLED DOCUMENT.		DWN DK_SCHRUM 5/2/94	TE Connectivity		
DIMENSIONS: mm [INCHES]		CHK DA PATTERSON 5/5/94			
TOLERANCES UNLESS OTHERWISE SPECIFIED:		APVD JL MECKLEY 5/5/94	NAME SPLICE, BUTT, W/ SIGHT HOLE, SOLISTRAND 6 AWG		
0 PLC ± - 1 PLC ± - 2 PLC ± - 3 PLC ± - 4 PLC ± - ANGLES ± -		PRODUCT SPEC UL 486C ⑧	SIZE A2	CAGE CODE 00779	DRAWING NO C=324309
MATERIAL ⑦	FINISH SEE TABLE	WEIGHT -	SCALE 8:1	SHEET 1 of 1	RESTRICTED TO -
CUSTOMER DRAWING			REV H3		

单击下面可查看定价，库存，交付和生命周期等信息

[>>TE Connectivity\(泰科\)](#)