

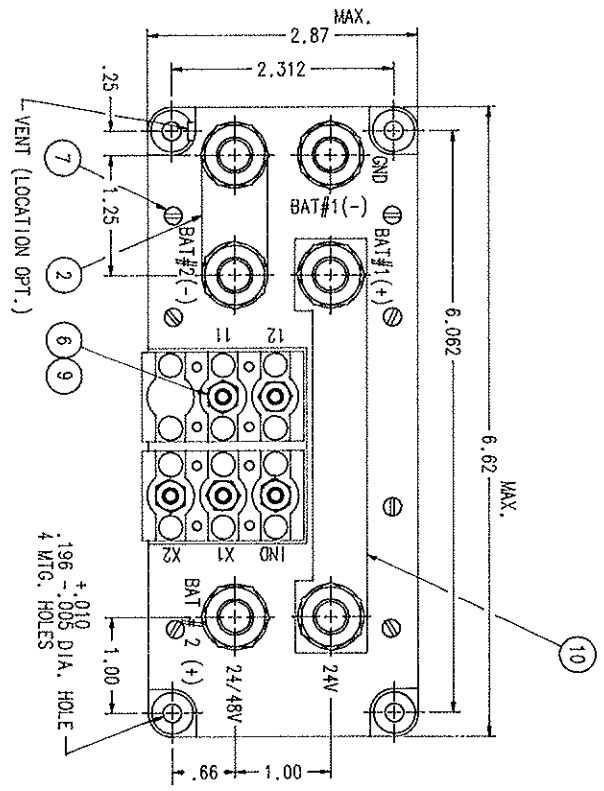
| REV. | DESCRIPTION | DATE | APPROVED |
|------|---------------------------------------|----------|----------|
| T | 31154 REDRAWN, FIND NOS 12 & 13 ADDED | 96/10/07 | RS |

FAA/PMA

REVISIONS

CONSTRUCTION
 MAIN CONTACTS
 CONFIGURATION
 VOLTAGE
 CURRENT-N.C.
 N.O.

GASKET SEALED (VENTED)
 DPST-NC, SPST-NO
 24/48 VDC
 300 AMP
 1000 AMP FOR 30 SEC
 1500 AMP INRUSH
 CARRY AND BREAK ONLY

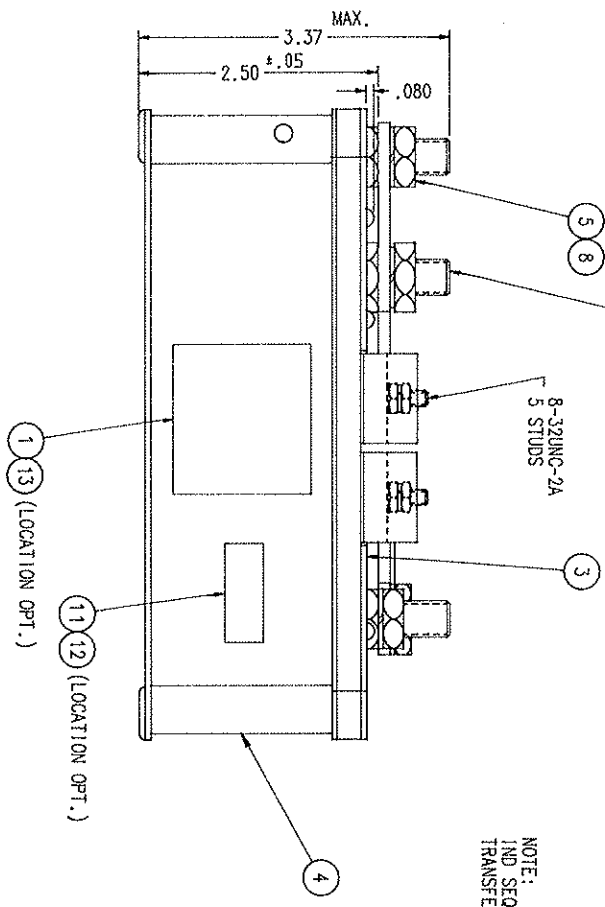
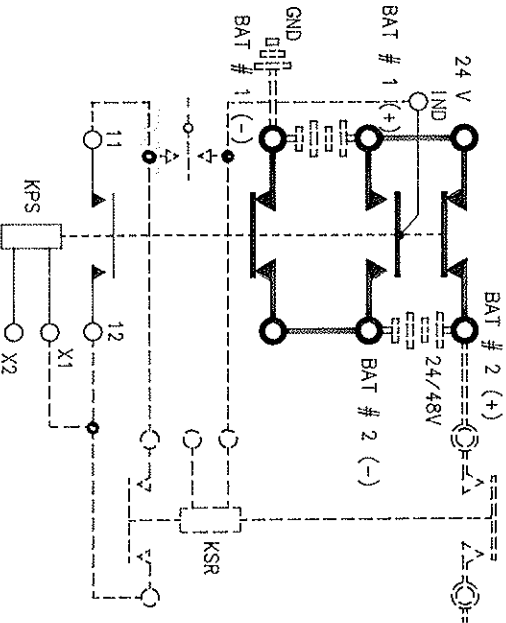


AUXILIARY CONTACTS
 CONFIGURATION
 VOLTAGE
 CURRENT
 COIL DATA
 VOLTAGE
 PICKUP MAX
 DROPOUT
 DUTY

LIFE ELECTRICAL
 LIFE MECHANICAL
 WEIGHT MAX. (EST.)

ENVIRONMENTAL DATA
 AMBIENT TEMPERATURE

NOTE:
 1)ND SEQUENCES KSR TO DROPOUT AFTER KPS
 2)ND TRANSFERS BATTERIES BACK TO PARALLEL



| QTY | PART OR IDENTIFYING NO | DESCRIPTION | ESCAL NO | DRAWING OR SPECIFICATION | MATERIAL OR NOTE |
|-----|------------------------|--------------------------------------|-----------|--------------------------|------------------|
| 13 | 39529-001 | OVERLAY | | | |
| 12 | 39529-024 | OVERLAY | | | |
| 11 | 58400-016 | PLATE-FAA/PMA | | | |
| 10 | 33111-001 | JUMPER-BUS BAR | | | |
| 9 | 51808-064 | WASHER-LOOK-NO. 8 SPLIT | AN93588 | | BRONZE |
| 8 | 51807-084 | WASHER-LOOK-3/8 X .688 X .094 SPLIT | AN9358616 | | BRONZE |
| 7 | 51200-020 | SCREW-NO. 4 X 1/4 PAN HD. SHEETMETAL | | | S STEEL |
| 6 | 50408-034 | NUT-8-32 X 5/16 X 3/32 HEX | | | BRASS |
| 5 | 50407-164 | NUT-3/8-24 X 5/8 X 7/32 HEX | | | BRASS |
| 4 | 33120-010 | CONTRACTOR ASSEMBLY-PRIMARY | | | |
| 3 | 33108-001 | PLATE-BASE COVER | | | |
| 2 | 16704-004 | BAR-BUS | | | |
| 1 | 16043-001 | PLATE-NAME | | | |

| FIND NO | QTY | PART OR IDENTIFYING NO | DESCRIPTION | ESCAL NO | DRAWING OR SPECIFICATION | MATERIAL OR NOTE |
|---------|-----|------------------------|-------------|----------|--------------------------|------------------|
| 1 | 1 | 16043-001 | PLATE-NAME | | | |

| DR BY | RLS | DATE |
|-------|----------|------|
| RS | 96/11/06 | |

| CHK BY | DATE |
|--------|----------|
| RS | 96/11/06 |

| ENGR | DATE |
|------|----------|
| RS | 96/11/06 |

| MFG | DATE |
|-----|----------|
| RS | 96/11/06 |

| RELEASE | DATE |
|---------|----------|
| RS | 96/11/06 |

| CONTR. NO. | GOVT APPVAL |
|------------|-------------|
| | |

| SIZE | CODE IDENT | DWG NO. |
|------|------------|---------|
| C | 74063 | A-848KH |

| SCALE | NONE | SHEET |
|-------|------|-------|
| | | |

单击下面可查看定价，库存，交付和生命周期等信息

[>>TE Connectivity\(泰科\)](#)