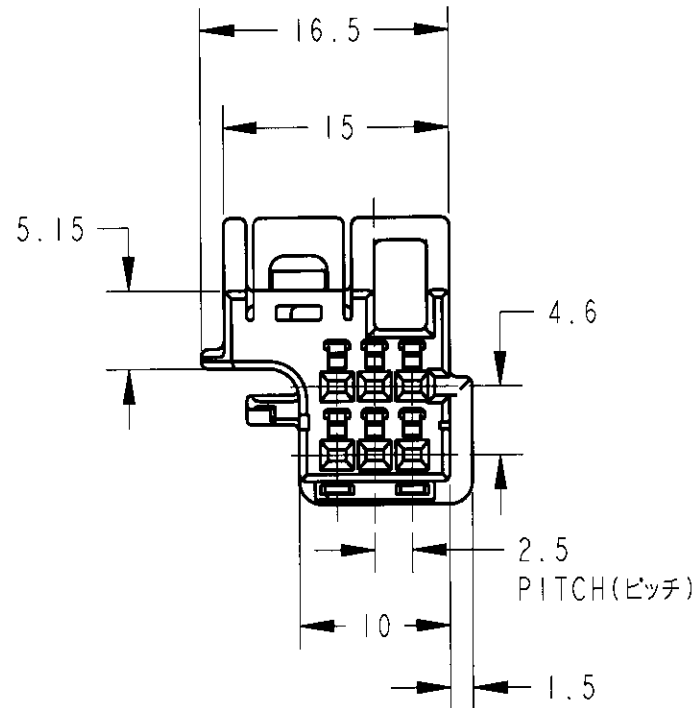
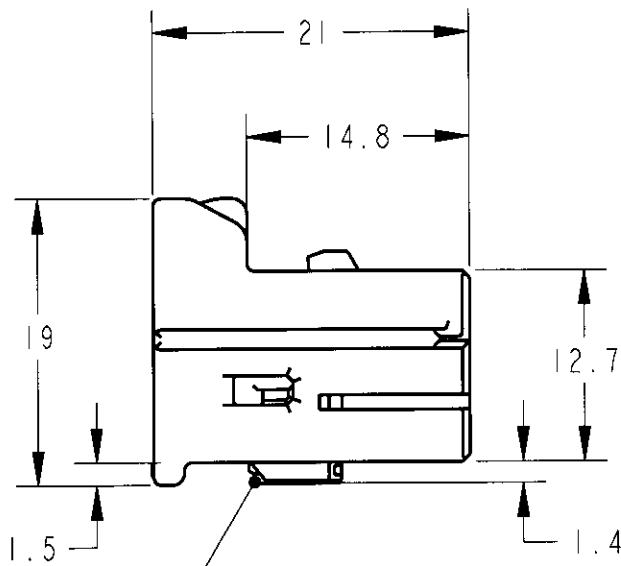
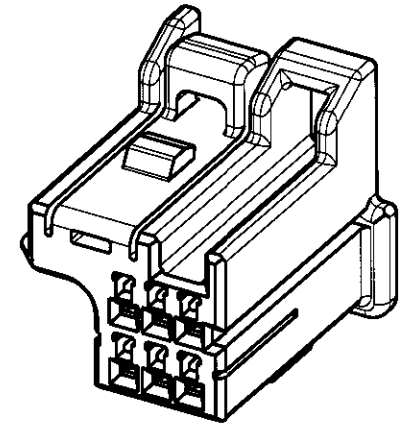
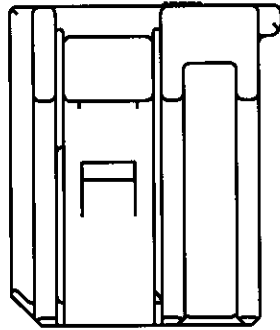


LOC	DIST	REVISIONS 変更						
		P	LTR	DESCRIPTION	ECN	DATE	DWN	APVD
J	-		0	RELEASED	FJ00-0056-00	13JAN00	ES	MT



DOUBLE LOCK PLATE
ダブルロックプレート
(NATURAL)

1. INSTRUCTION SHEET : 411-5930
1. 取扱説明書 : 411-5930

316836 316837(Au)	YELLOW 黄色	1318825-7
APPLICABLE CONTACT PART NUMBER 適用端子型番	COLOR 色	PART NUMBER 型番

THIS DRAWING IS A CONTROLLED DOCUMENT FOR AMP INCORPORATED. IT IS SUBJECT TO CHANGE AND THE CONTROLLING ENGINEERING ORGANIZATION SHOULD BE CONTACTED FOR THE LATEST REVISION.		DWN E. SASAKI 13JAN00	AMP AMP(JAPAN), LTD. Kawasaki, Japan
DIMENSIONS: 単位: 概 mm		CHK H. KITAMURA 13JAN00	
TOLERANCES UNLESS OTHERWISE SPECIFIED: 一般公差 = ± 0.5		APVD M. TSUKAKOSHI 13JAN00	NAME 名称 6 POS. PLUG ASSEMBLY , AIR BAG COLUMN CONNECTOR 6極 プラグ アセンブリ , エアバッグ コラム コネクタ
0-PLC ± 1-PLC ±0.1 2-PLC ±0.01 3-PLC ±0.001 4-PLC ±0.0001 ANGLES ±1.00°		PRODUCT SPEC 製品規格 108-5650	SIZE A3
MATERIAL 材料 PBT		FINISH 仕上 -	CAGE CODE 00779
		APPLICABLE SPEC 取付適用規格 114-5217	DRAWING NO 番号 G-1318825
		WEIGHT 2.7 g	RESTRICTED TO -
		CUSTOMER DRAWING	SCALE 尺度 2:1
			SHEET OF 1
			REV 0

单击下面可查看定价，库存，交付和生命周期等信息

[>>TE Connectivity\(泰科\)](#)