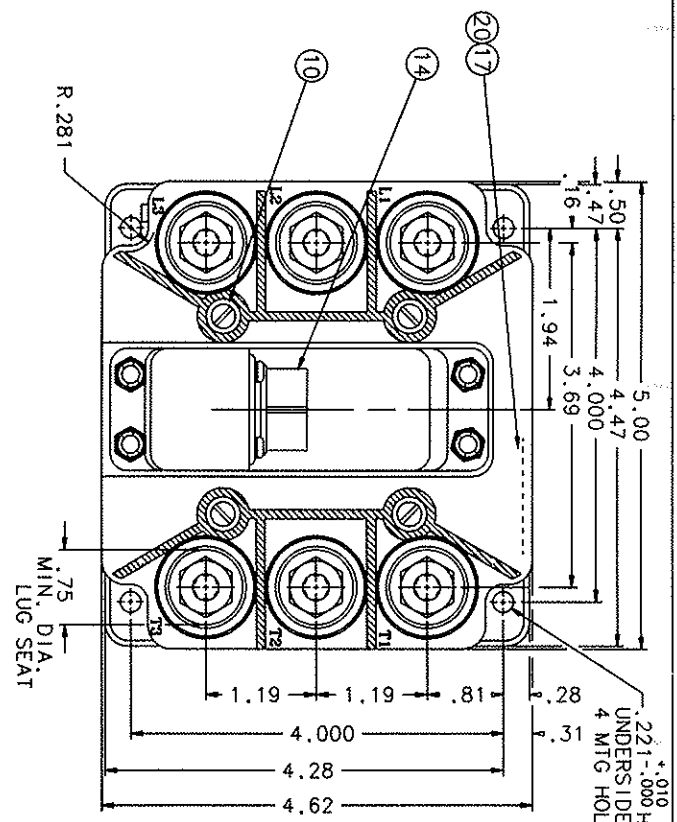


FAA/PMA

REV.	DESCRIPTION	RELEASED DATE	APPROVED
U	ITEM 17 P/N WAS 58400-122, ITEM 20 P/N WAS 39529-024	2/3/94	
V	ITEM 17 P/N WAS 38237011, ITEM 20 P/N WAS 39529-047	3/28/94	
W	43658 FIND NO. 6 WAS 14566-005	00-12-07	



CONSTRUCTION  
 MAIN CONTACTS  
 CONFIGURATION VOLTAGE (NOMINAL)  
 CURRENT: RES.  
 IND. MOTOR RUPTURE OVER LOAD  
 AUXILIARY CONTACTS  
 CONFIGURATION VOLTAGE (NOMINAL)  
 CURRENT RES.

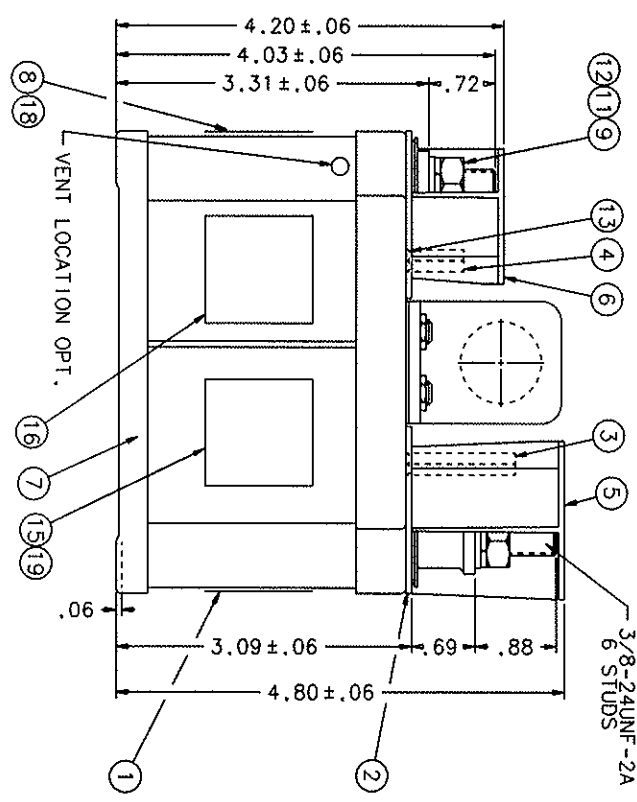
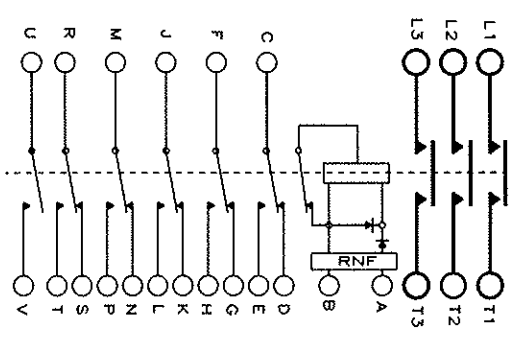
METALLIC BASE GASKET SEALED (VENTED)

3 PST N.O., DOUBLE BREAK  
 208 VAC 400 HZ.  
 250 AMP  
 250 AMP  
 125 AMP  
 1800 AMP  
 1425 AMP

1-SPST N.O., 5-SPDT  
 28 VDC 115/208 VAC 400 HZ  
 10 AMP LIMITED TO 7-1/2 AMP CON.

COIL DATA  
 DUTY CYCLE  
 NOM. COIL VOLTAGE  
 PICKUP MAX.  
 DROPOUT VOLTAGE  
 PICKUP TIME (MAX.)  
 RELEASE TIME (MAX.)  
 INRUSH CURRENT (MAX.)  
 MAX. WEIGHT

CONTINUOUS ECONOMIZING  
 115 VAC 400HZ  
 90 VAC  
 35 ±20 VAC  
 40 MS ± 25°C  
 125 MS ± 25°C  
 1.3 AMPS ± 25°C  
 5 LBS., 4 OZ.



NOTE:  
 1. TERMINAL SHIELDS TO BE STAMPED:  
 "DANGER-HIGH VOLTAGE"

QTY	IDENTIFYING NO	PART OR RECD	DESCRIPTION	NSN	DRWG OR SPECIFICATION	MATERIAL OR NOTE
20	1	39529-024	OVERLAY			
19	1	39529-009	OVERLAY			
18	1	39529-001	OVERLAY			
17	1	58400-122	PLATE-FAA/PMA			
16	1	25695-001	PLATE-WARNING			
15	1	30812-001	PLATE WIRING DIAGRAM			
14	1	52514-008	CONNECTOR-MS3112E-14-19P, MIL-C-26482			AN9368B BRONZE
13	4	51808-011	WASHER, LOCK #8 INT.			MS35338-46 STEEL
12	6	51807-071	WASHER, LOCK 3/8X.688X.094 SPLIT			AN960-616 STEEL
11	6	51704-161	WASHER, 5/8X.390X.064 FLAT			AN960-616 BRASS
10	4	51208-641	SCREW, 8-32X5/16 PANI HD, SEMS			MS20341-616S STEEL
9	6	50407-141	NUT, 3/8-24X9/16X9/32 HEX.			
8	1	16043-001	PLATE-NAME			
7	1	15457-040	CONTACTOR ASSEM -PRI, A.C. POWER			
6	1	14566-009	SHIELD-TERMINAL			
5	1	14566-001	SHIELD-TERMINAL			
4	2	13564-004	NUT-COVER PLATE			
3	2	13564-003	NUT-COVER PLATE			
2	1	13304-001	PLATE-BASE COVER			
1	1	12771-001	PLATE-WARNING			

UNLESS OTHERWISE SPECIFIED DIMENSIONS ARE IN INCHES		2 PL. DEC. 13 PL. DEC. ANGLES	
±.03	±.010	±.1*	
DR BY	WBR	00-12-13	
CHK BY	EC	0012/19	
ENGR	JS	00-12-20	
MFG	MS	00-12-21	
RELEASE			
CONTR. NO.			
GOVT. APPL.			

HARTMAN ELECTRICAL MANUFACTURING  
 MANSFIELD, OHIO

CONTACTOR - A.C. POWER  
 250 AMP, 3 P.S.T., N.O.

SIZE CODE IDENT DWG NO.  
 C 74063 BR-125BC

SCALE NONE SHEET

单击下面可查看定价，库存，交付和生命周期等信息

[>>TE Connectivity\(泰科\)](#)