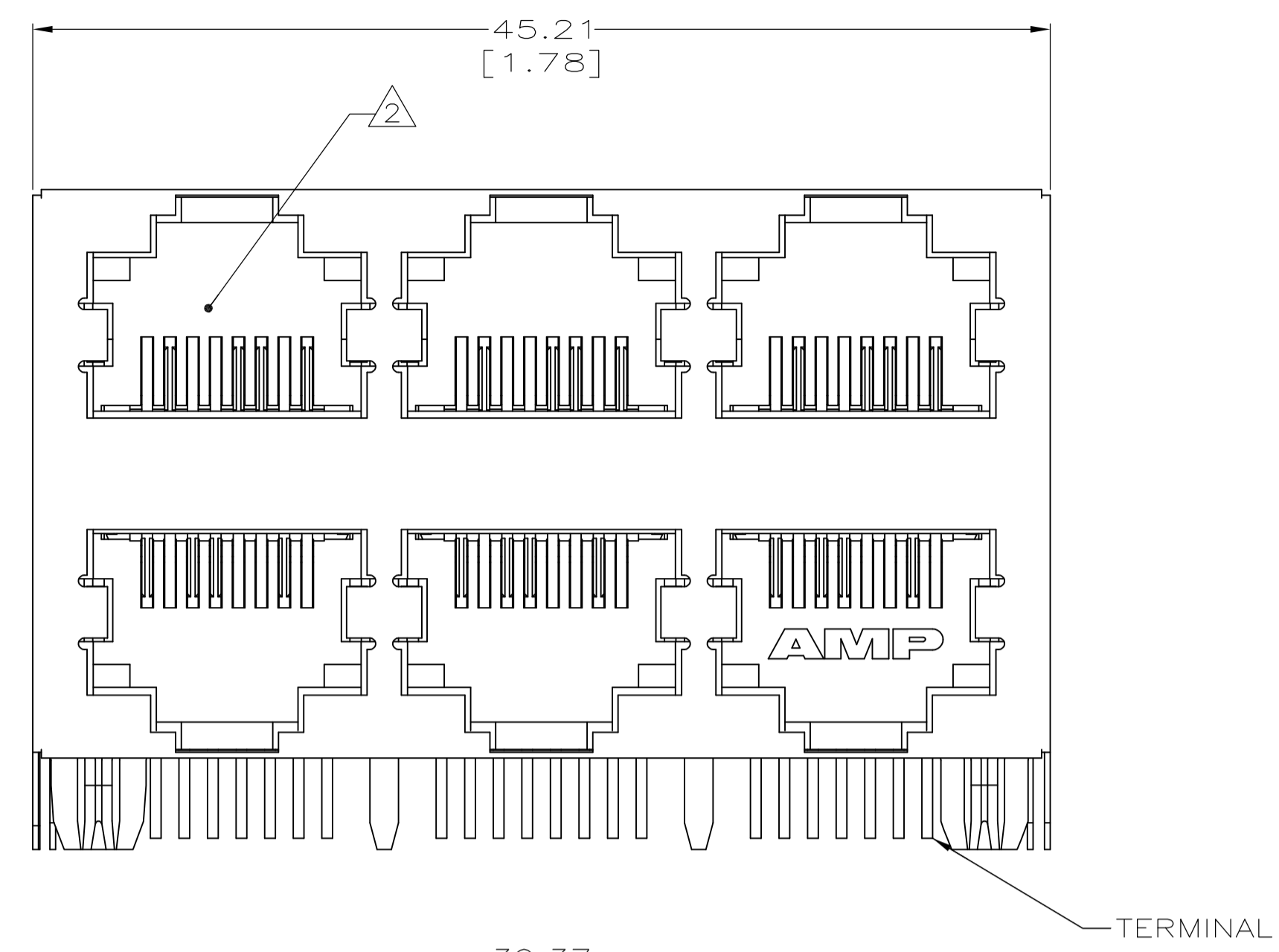
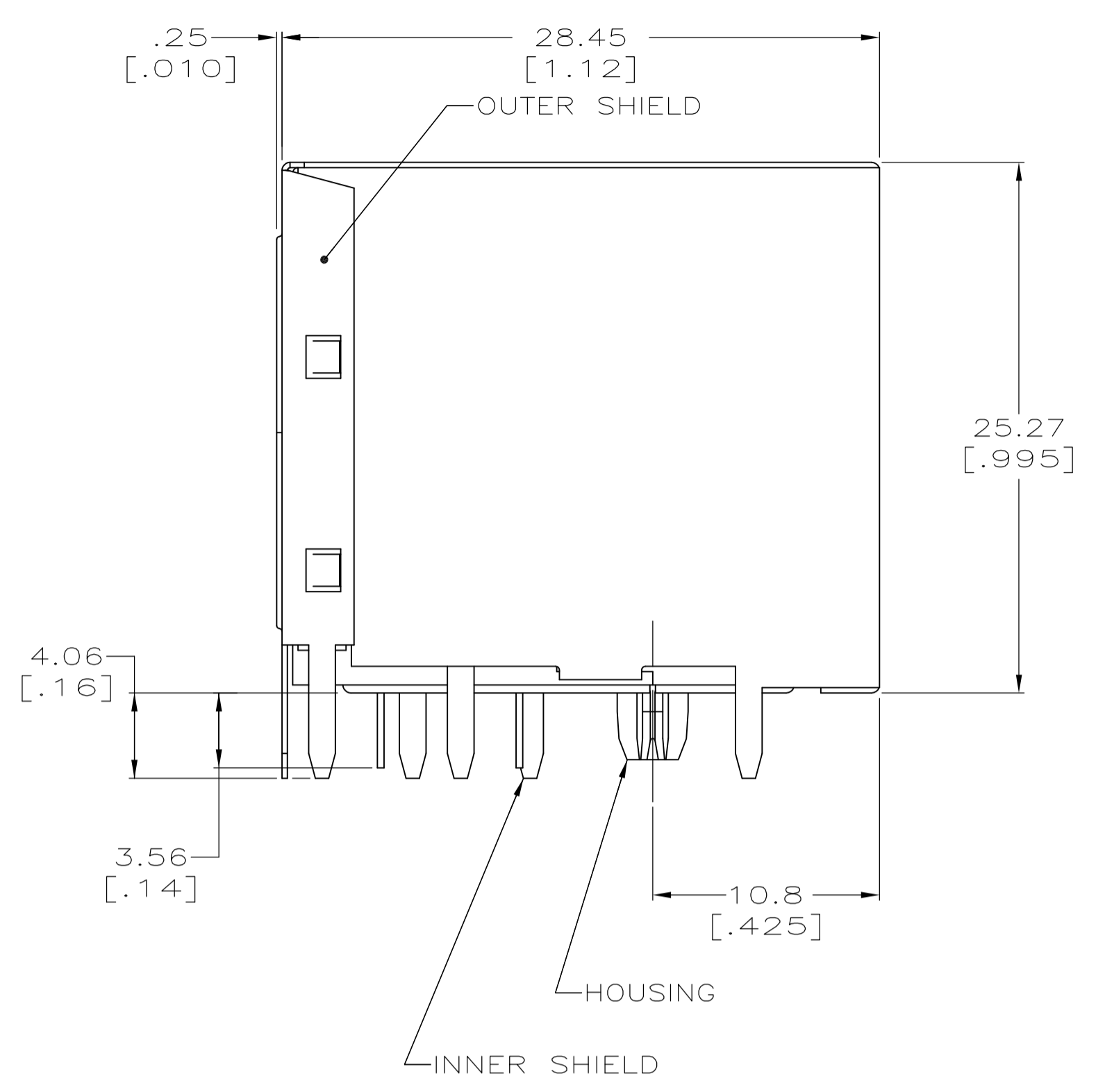


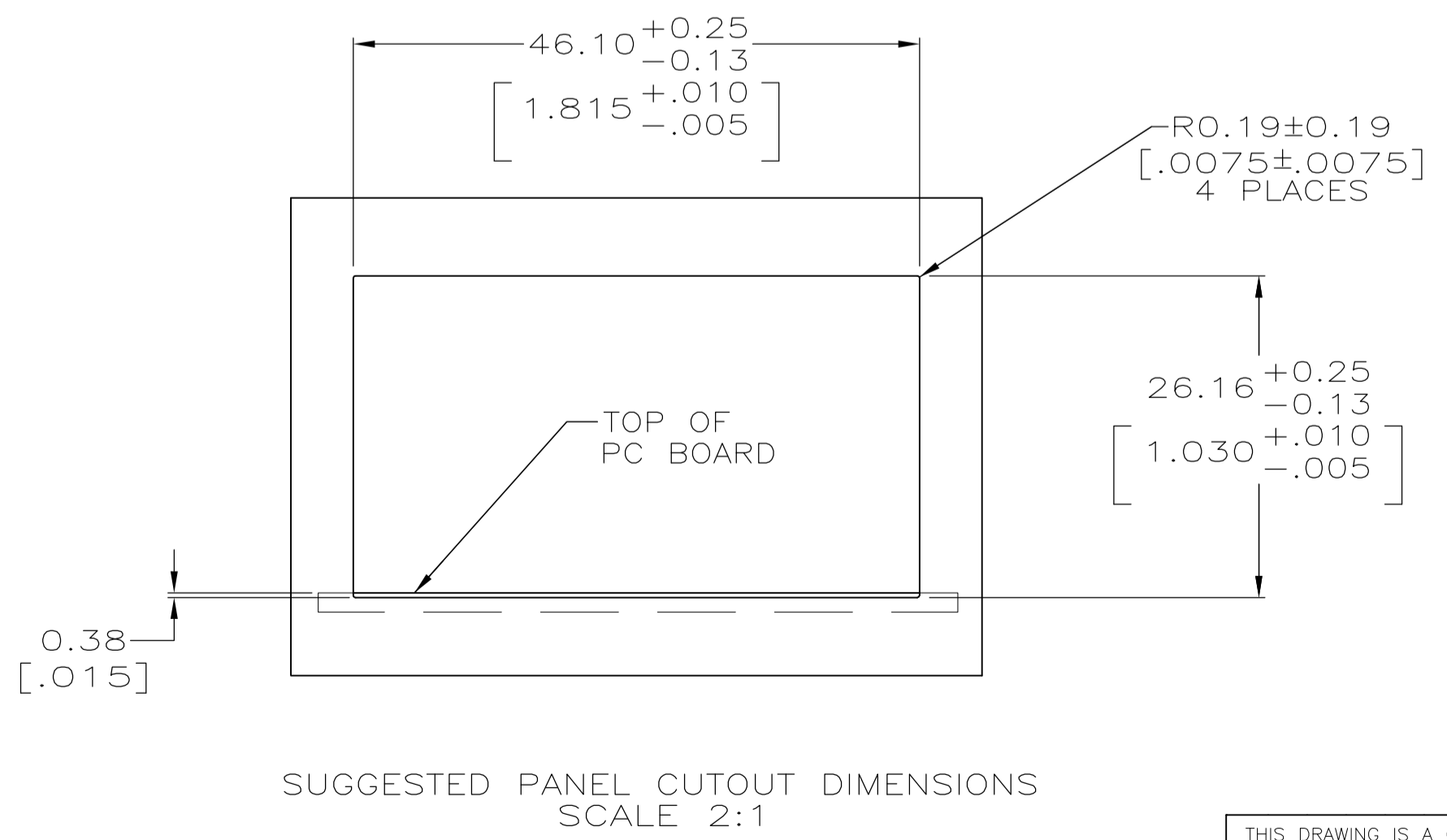
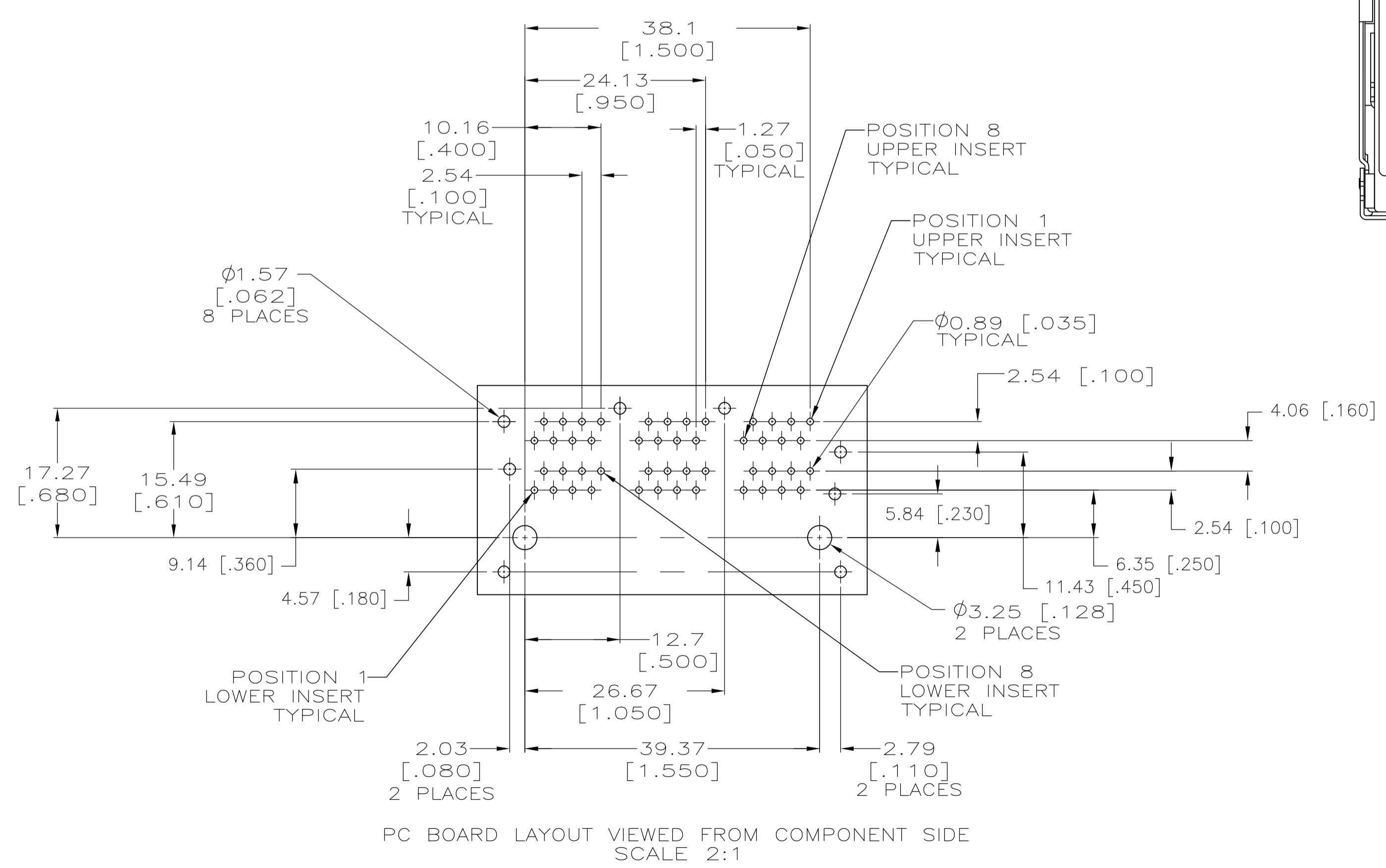
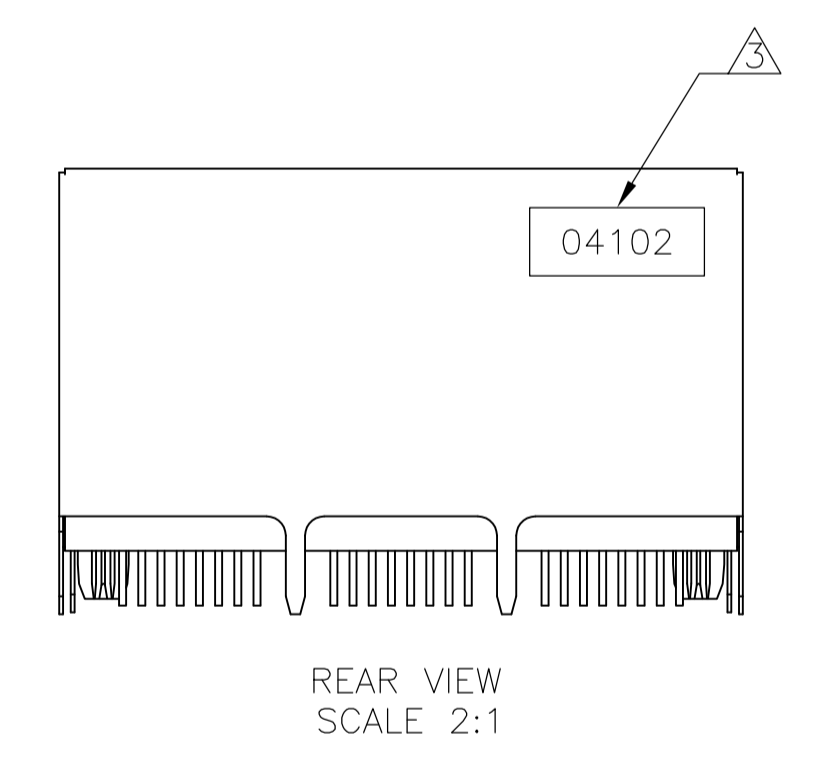
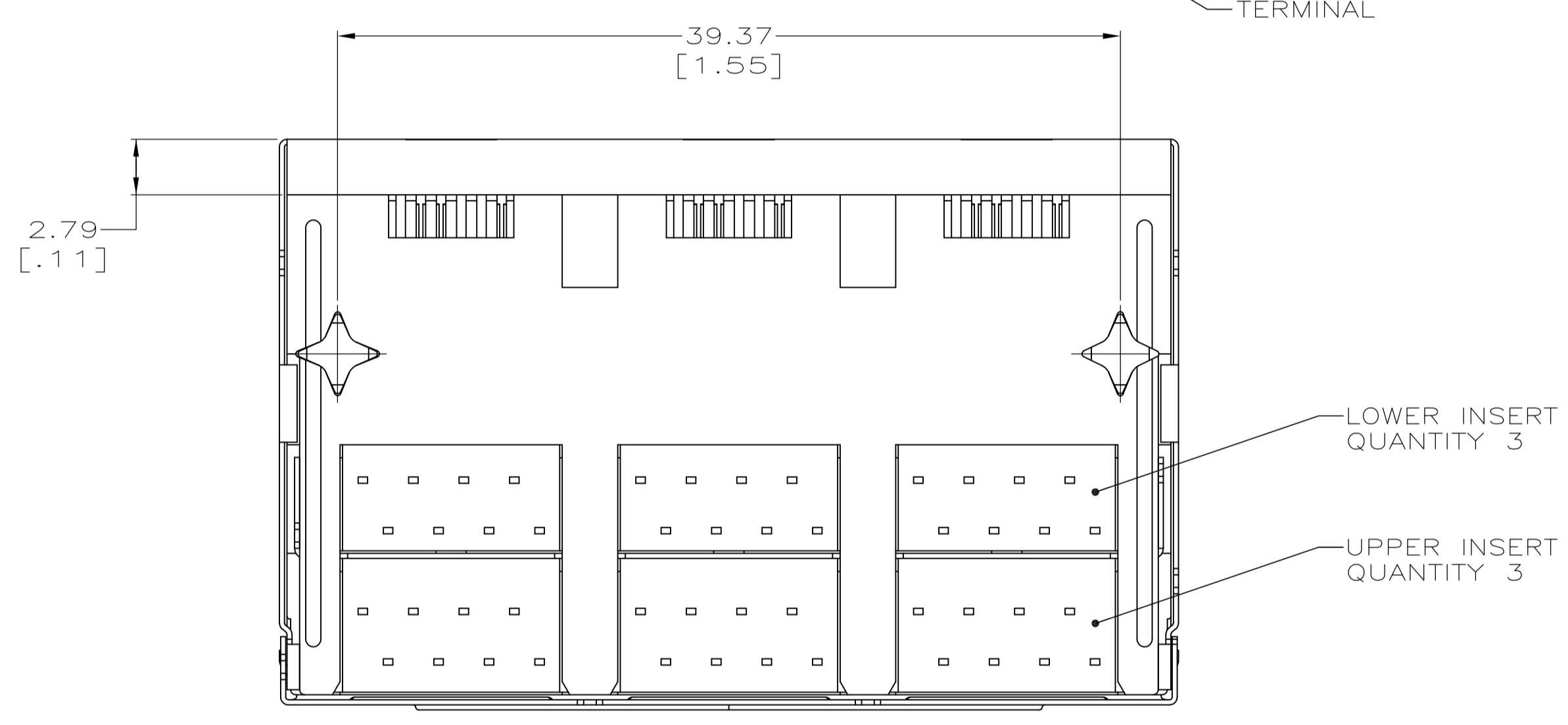
LOC		DIST		REVISIONS			
AA	22	F	LTR	DESCRIPTION	DATE	DWN	APVD
A1				REVISED ECR-08-031628	03DEC08	AZ	SY



**MATERIAL:**  
 HOUSING - PCT POLYESTER, BLACK, UL94V-0.  
 OVERMOLDED TERMINAL ARRAY - PBT, BROWN.  
 TERMINALS - 0.33 [.013] THICK PHOS BRONZE PLATED WITH 1.27um [.000050] MIN THICK HARD GOLD IN LOCALIZED AREA AND 3.81um [.000150] MIN THICK MATTE TIN IN SOLDER AREA OVER 1.27um [.000050] MIN THICK NICKEL UNDERPLATE.  
 SHIELDS - 0.25 [.010] THICK COPPER ALLOY PLATED WITH 1.27 um [.000050] MINIMUM NICKEL AND 2.03 um [.000080] MINIMUM HOT TIN DIP ON PCB GROUND TABS.

JACK CAVITY CONFORMS TO FCC RULES AND REGULATIONS, PART 68 SUBPART F.

DATE CODE LOCATED ON REAR OF PART APPROXIMATELY AS SHOWN:  
 FIRST 2 DIGITS ARE LAST 2 DIGITS OF YEAR,  
 SECOND 2 DIGITS ARE MANUFACTURING WORK WEEK,  
 LAST DIGIT IS DAY OF WEEK, WITH SUNDAY = 1.



5569256-1  
PART NUMBER

THIS DRAWING IS A CONTROLLED DOCUMENT.		DIN: A. FERNANDEZ-DOCK5 15JUN2005	Tyco Electronics Corporation Harrisburg, PA 17105-3608
DIMENSIONS: mm [INCHES]		CHK: J. WESTMAN 15JUN2005	
TOLERANCES UNLESS OTHERWISE SPECIFIED:		APVD: S. FLICKINGER 15JUN2005	NAME: STACKED MODULAR JACK ASSEMBLY, 2 X 3 PORT, 8 POSITION, SHIELDED, PRINTED CIRCUIT BOARD GROUND, CATEGORY 5
0 PLC ± -	1 PLC ± -	PRODUCT SPEC: 108-1163-2	APPLICATION SPEC: 114-2048
2 PLC ± 0.25(.01)	3 PLC ± 0.13(.005)	SIZE: A1	CAGE CODE: 00779
4 PLC ± -	ANGLES ± -	WEIGHT: -	DRAWING NO: 5569256
MATERIAL: △	FINISH: △	CUSTOMER DRAWING	SCALE: 4:1 SHEET: 1 OF 1 REV: A1

单击下面可查看定价，库存，交付和生命周期等信息

[>>TE Connectivity\(泰科\)](#)