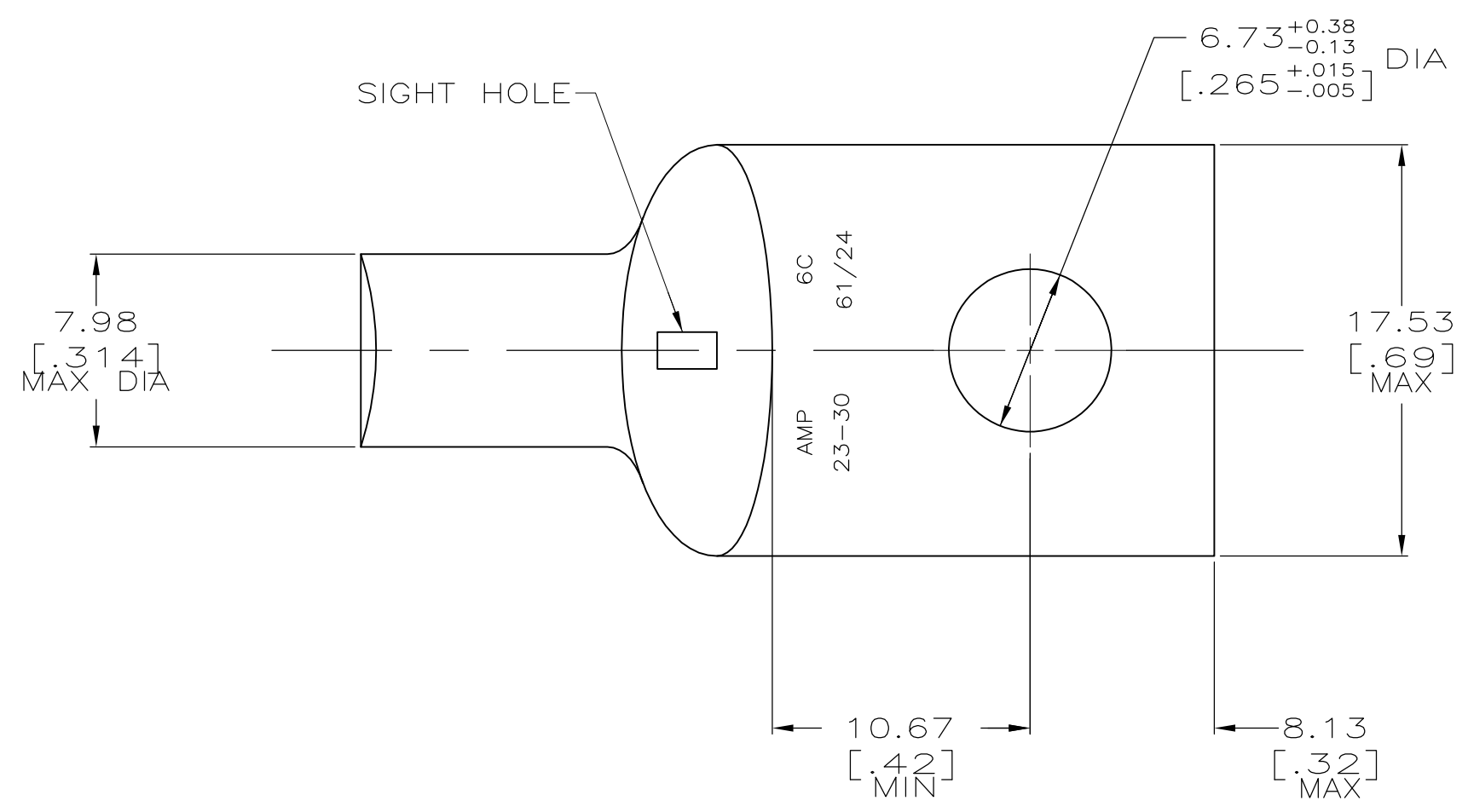
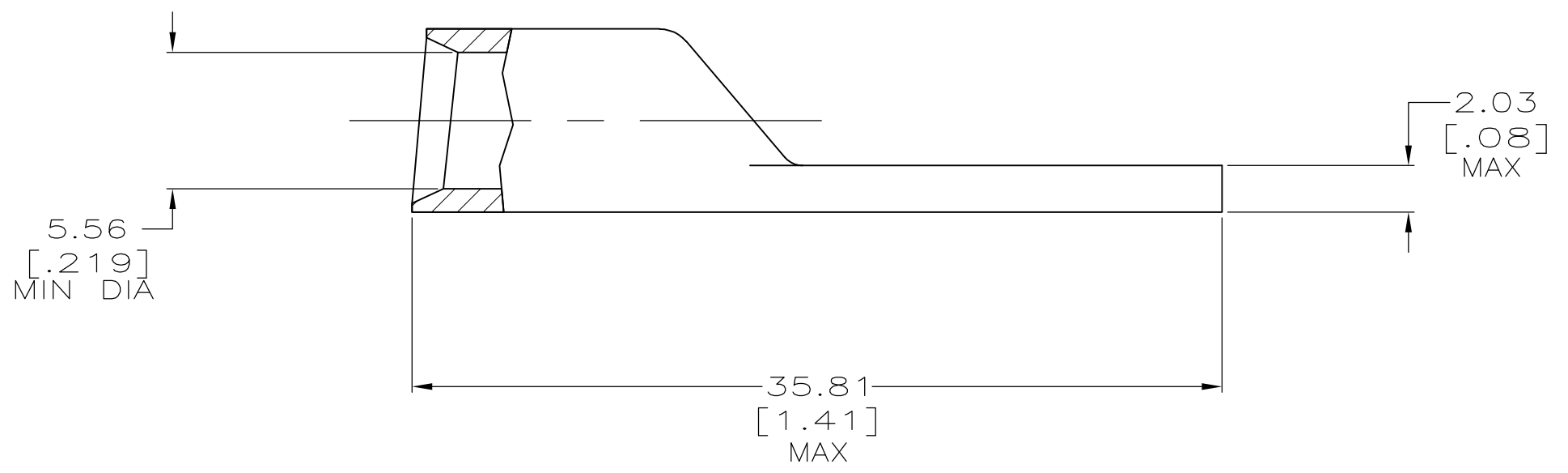


THIS DRAWING IS UNPUBLISHED. RELEASED FOR PUBLICATION  
 © COPYRIGHT - By - ALL RIGHTS RESERVED.

LOC	DIST	REVISIONS			26APR99	ME/TM
G	86	P	LTR	DESCRIPTION	DATE	OWN
		T1		REVISED PER ECO-11-004917	11MAR11	RK HMR



1 CIRCULAR MIL AREA RANGE: 20,800-33,100 CM  
 2 TIN PL 0.00381[.000150] MIN THK PER ASTM B 545



THIS DRAWING IS A CONTROLLED DOCUMENT.		DWN	DK SCHRUM	02/28/90	328142	
		CHK	MS FEHER	19/JAN95	PART NO	
DIMENSIONS: MM[INCHES]		APVD	WJ VOCKROTH	19/JAN95	NAME	
TOLERANCES UNLESS OTHERWISE SPECIFIED:		PRODUCT SPEC		108-30200		
0 PLC ± -		APPLICATION SPEC		-		
1 PLC ± -		MATERIAL		ANNEALED COPPER		
2 PLC ± 0.51[.020]		FINISH		ASTM B-152		
3 PLC ± -		WEIGHT		.015 LB		
4 PLC ± -		CUSTOMER DRAWING		SCALE 4:1 SHEET 1 OF 1 REV T1		
ANGLES ± ± -		SIZE		A2 00779		
FINISH		DRAWING NO		G-328142		
RESTRICTED TO		DRAWING NO		G-328142		

单击下面可查看定价，库存，交付和生命周期等信息

[>>TE Connectivity\(泰科\)](#)