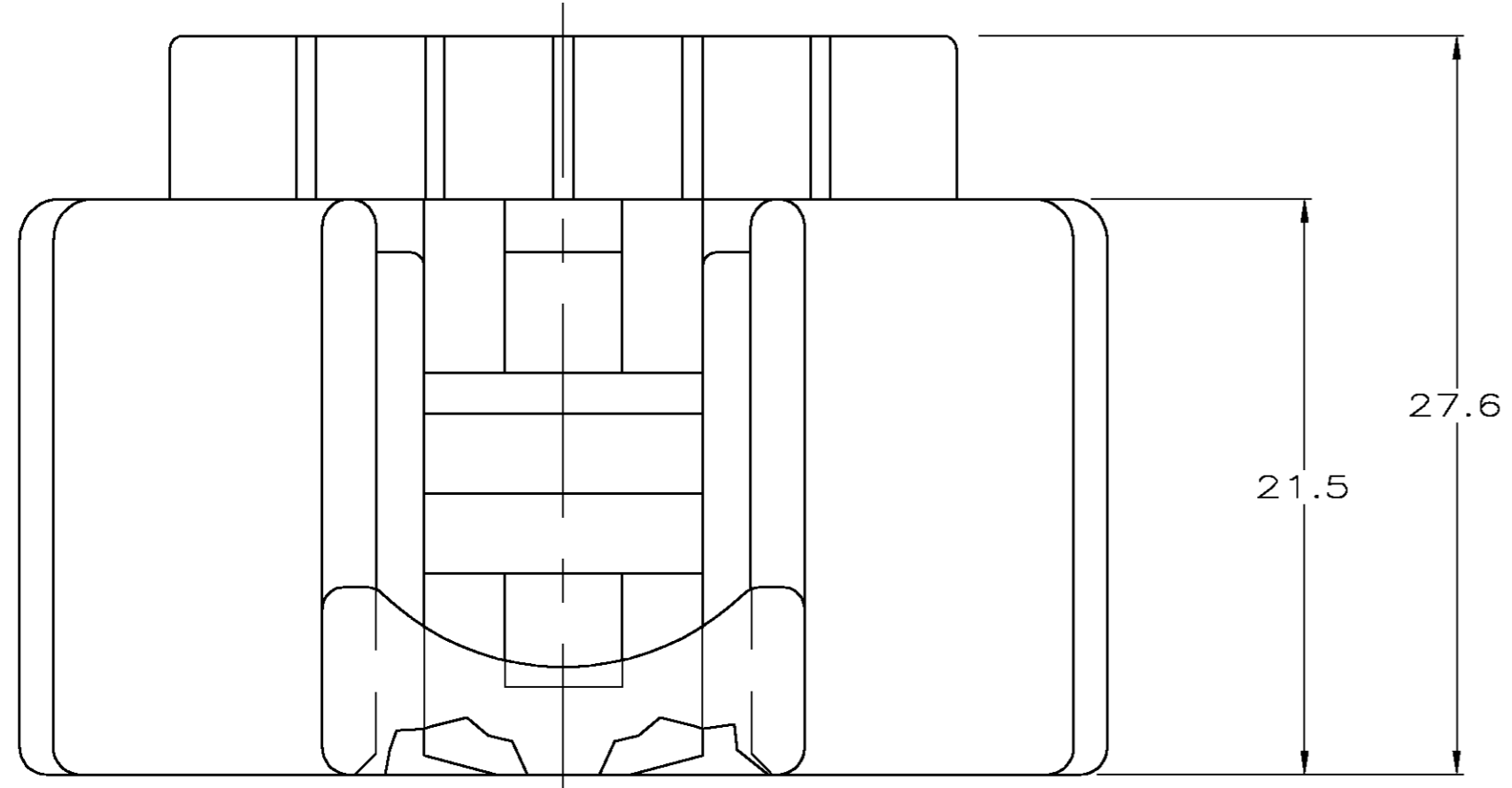
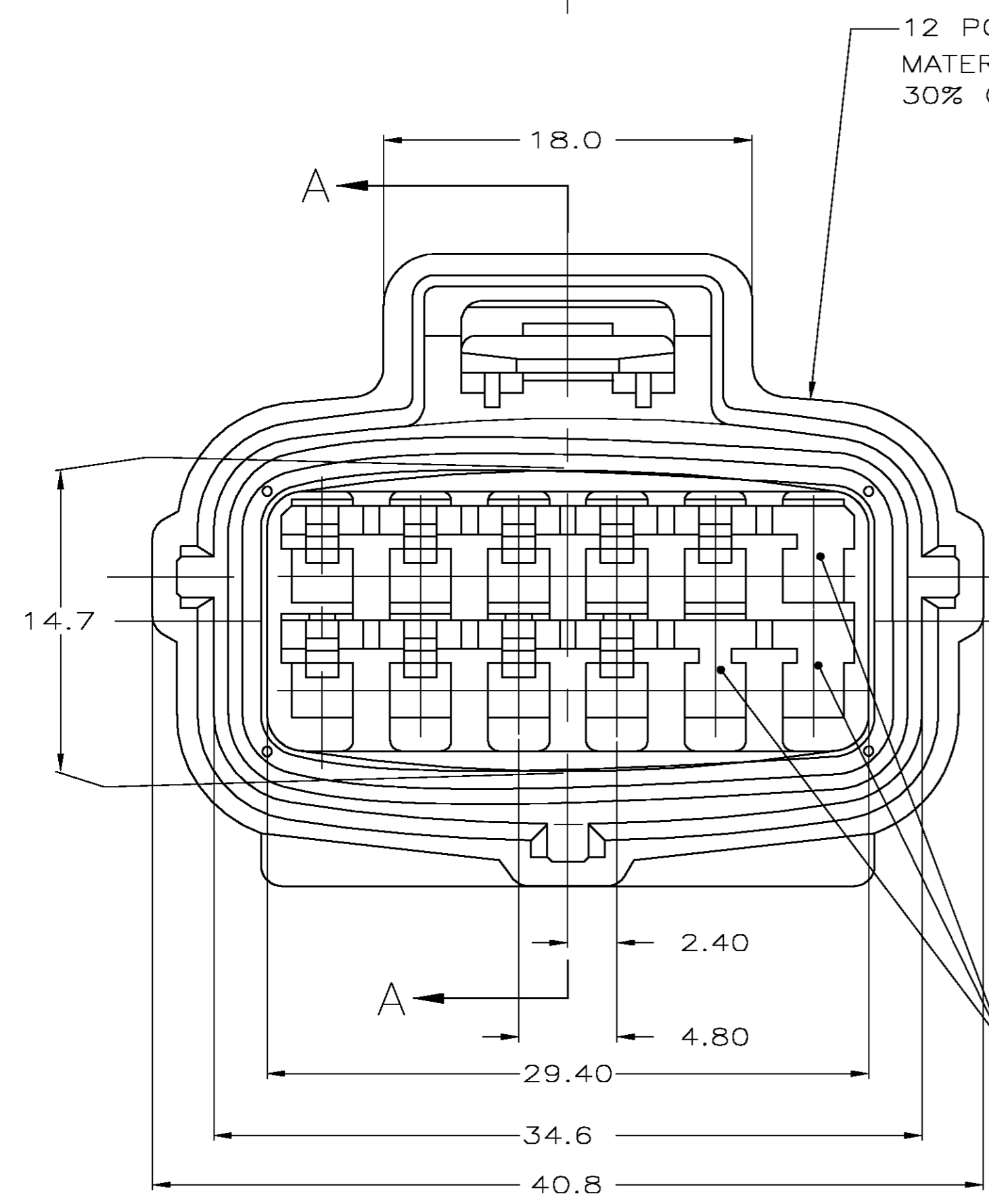


THIS DRAWING IS UNPUBLISHED. RELEASED FOR PUBLICATION  
 © COPYRIGHT BY TYCO ELECTRONICS CORPORATION. ALL RIGHTS RESERVED.

| LOC |     | DIST        |  | REVISIONS               |         |      |     |
|-----|-----|-------------|--|-------------------------|---------|------|-----|
| P   | LTR | DESCRIPTION |  | DATE                    | DWN     | APVD |     |
| GE  | 00  | J           |  | REV PER EC 0K40-0448-03 | 25JUN03 | AH   | KLC |

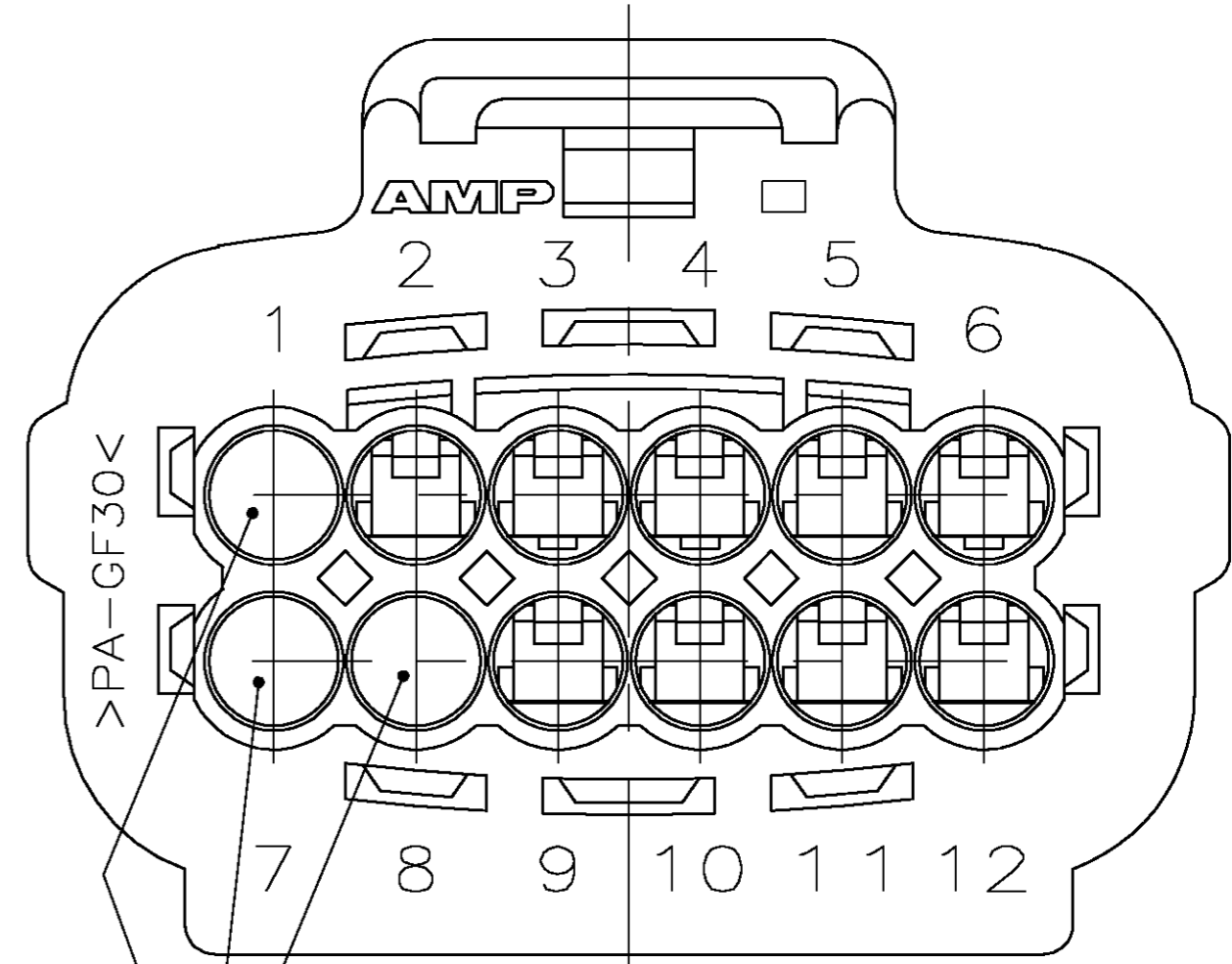
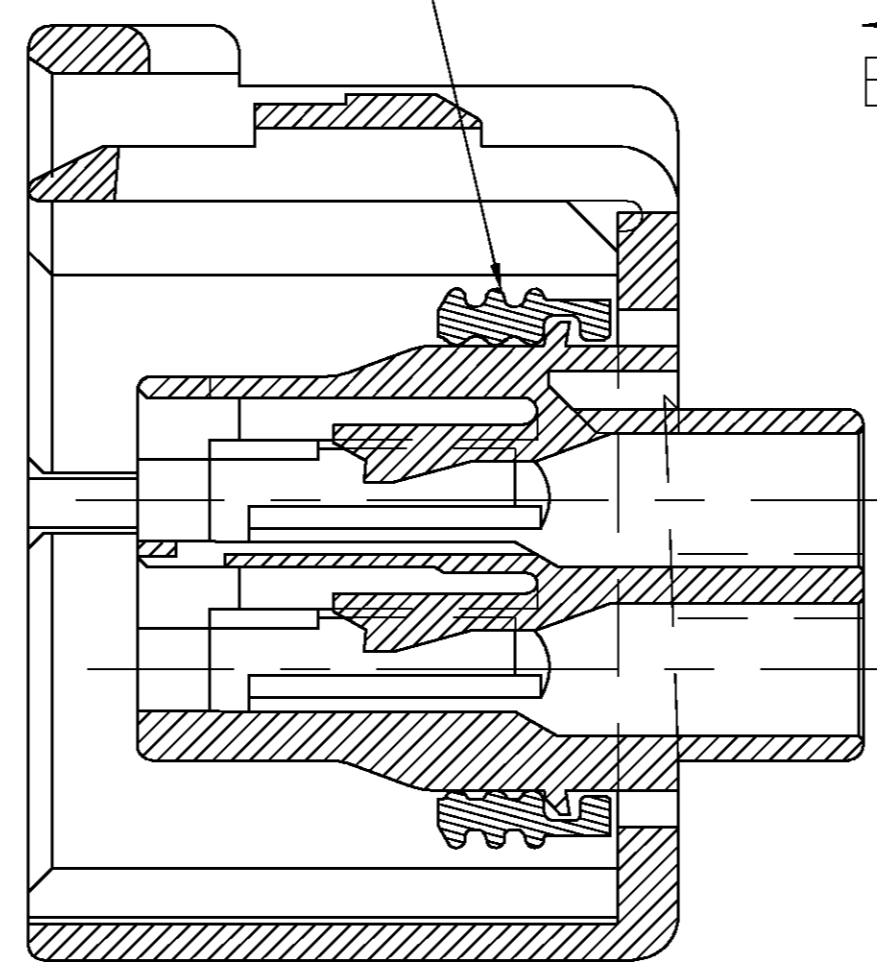


SECONDARY LOCK PLATE, P/N 184058-1, REQUIRED AS A SEPARATE COMPONENT.



12 POSITION PLUG  
 MATERIAL: 4/6 NYLON  
 30% GLASS FILLED

SEAL RING  
 MATERIAL:  
 SILICONE RUBBER



THESE CIRCUITS BLOCKED  
 (#1, #7, #8)

THIS DRAWING IS A CONTROLLED DOCUMENT.

|                  |           |          |
|------------------|-----------|----------|
| DWN              | KD LYTLE  | 9/14/94  |
| CHK              | JP KUNKLE | 11/10/94 |
| APVD             | JP KUNKLE | 11/10/94 |
| PRODUCT SPEC     |           |          |
| APPLICATION SPEC |           |          |
| WEIGHT           |           |          |
| CUSTOMER DRAWING |           |          |

|                                |           |   |               |
|--------------------------------|-----------|---|---------------|
| BLACK                          |           | 184099-1  |               |
| PLUG COLOR                     |           | PART NUMBER   |               |
| <b>tyco</b><br>Electronics     |           | Tyco Electronics Corporation<br>Harrisburg, PA 17105-3608 |               |
| NAME<br>12 POSITION PLUG ASSY. |           |   |               |
| SIZE                           | CAGE CODE | DRAWING NO  | RESTRICTED TO |
| A2                             | 00779     | C=184099  | -             |
| SCALE 4:1                      |           | SHEET 1 OF 1  | REV J         |

单击下面可查看定价，库存，交付和生命周期等信息

[>>TE Connectivity\(泰科\)](#)