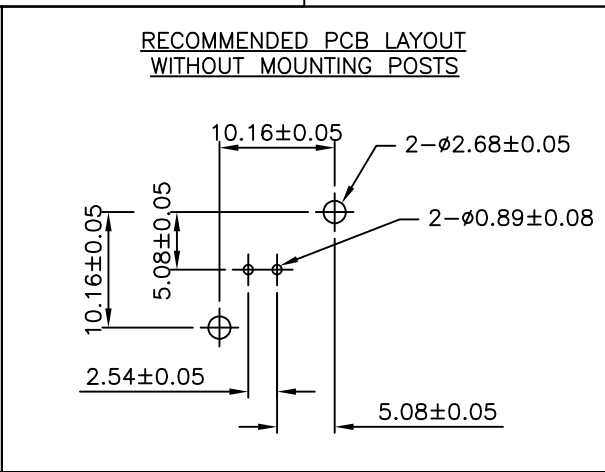
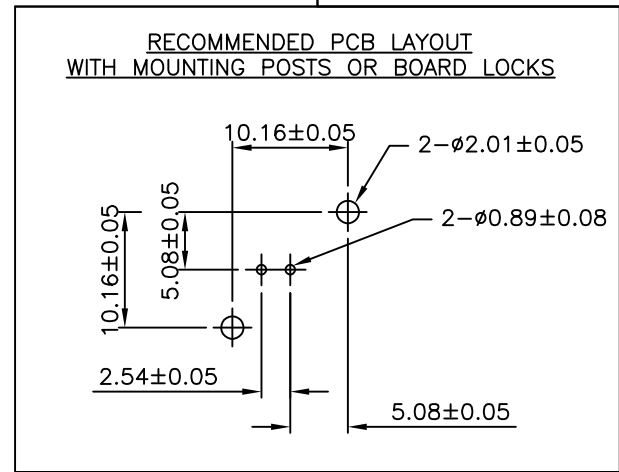
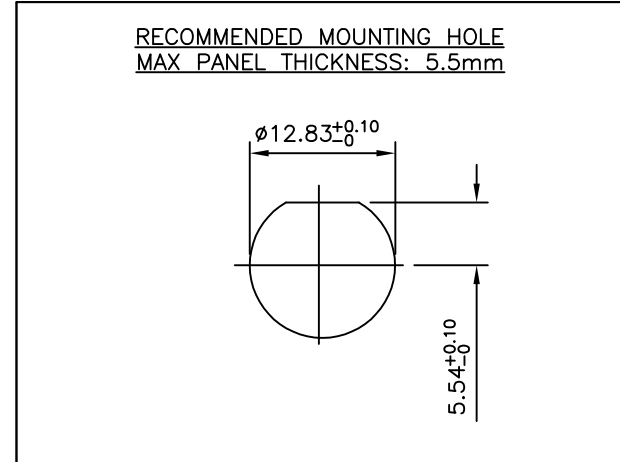
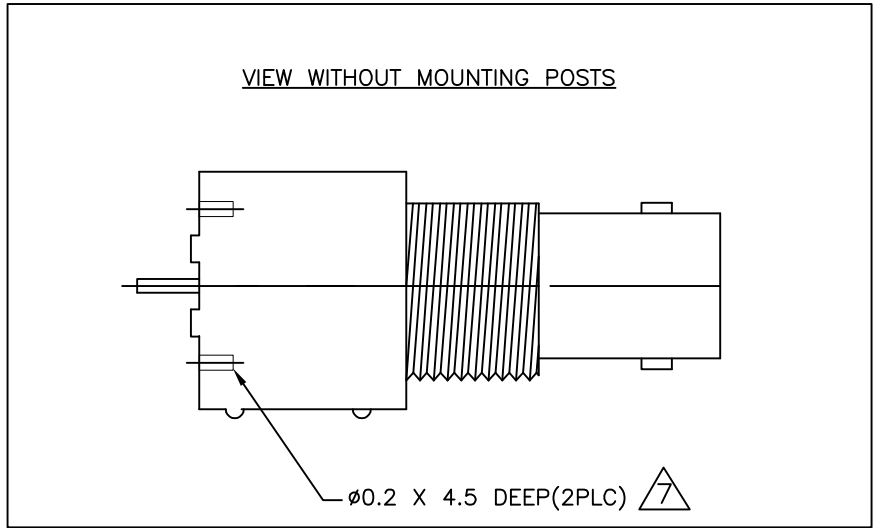
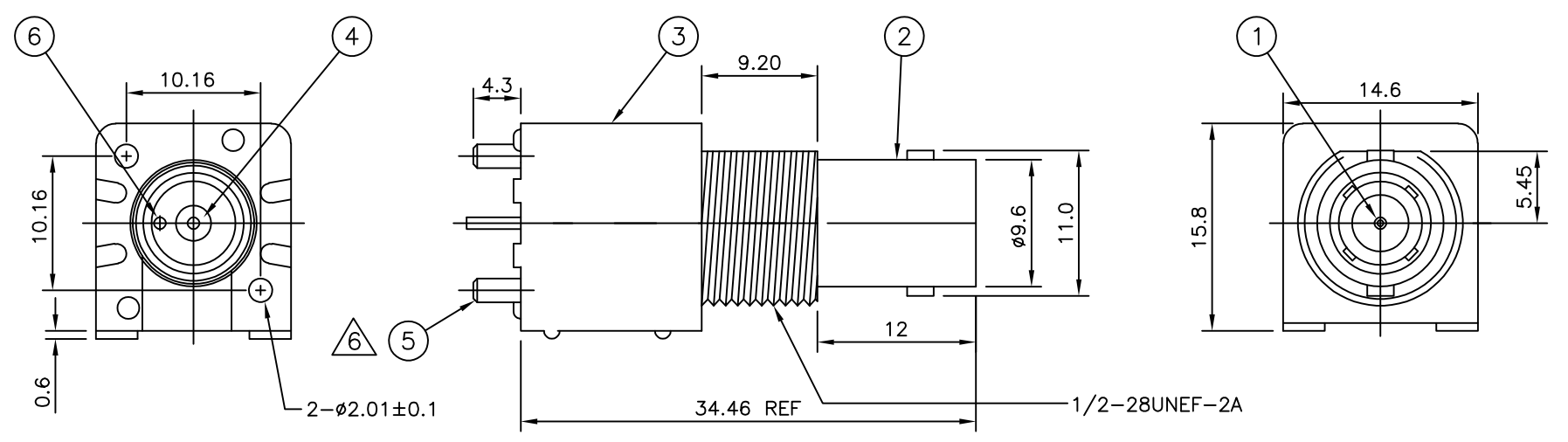


THIS DRAWING IS UNPUBLISHED. RELEASED FOR PUBLICATION JULY, 2005.
 © COPYRIGHT 2005 By - ALL RIGHTS RESERVED.

LOC	DIST	P	LTR	DESCRIPTION	DATE	DWN	APVD
E	B		B1	REVISED PER ECO-11-005033	01APR11	RK	HMR
			C	REVISED PER ECO-12-010042	29MAY2012	TITAN	MARTIN

- NOTES:**
- ① SINGLE PACK IN ACCORDANCE WITH AMP SPEC 107-3275
 - ② 50 TRAY PACK IN ACCORDANCE WITH AMP SPEC 107-3275
 - ③ Au PLATING OVER Ni PLATING OVER Cu PLATING
 - ④ Ni PLATING OVER Cu PLATING
 - ⑤ TIN PLATING
 - ⑥ MOUNTING POSTS ARE OPTIONAL SEE TABLE FOR PART NUMBERS
 - ⑦ RECOMMENDED SELF-TAPPING SCREW 221108-4
 - 8. RECOMMENDED MOUNT NUT 1-1634816-0
 - 9. RECOMMENDED LOCKWASHER 1-1634817-0
 - 10. FOR TECHNICAL DATA REFER TO YOUR LOCAL TE CONNECTIVITY SALES OFFICE
 - 11. ALL DIMENSIONS ARE NOMINAL FOR REFERENCE ONLY UNLESS OTHERWISE STATED



QTY	UNIT	MATERIAL	DESCRIPTION	ITEM
1	1	1	1	6
-	-	2	2	5
1	1	1	1	4
1	1	1	1	3
1	1	1	1	2
1	1	1	1	1
6--1	1--1	6--0	1--0	
②	①	②	①	

QUANTITY PER ASSY PARTS LIST

THIS DRAWING IS A CONTROLLED DOCUMENT.

DWN RITA ZUO 06 Mar 09
 CHK ANSON MA 06 Mar 09
 APVD BOB ZHAO 06 Mar 09

PRODUCT SPEC 108-112000
 APPLICATION SPEC

MATERIAL SEE TABLE FINISH SEE TABLE

STE TE Connectivity
 BNC STRAIGHT INSULATED PCB SOCKET
 75 OHM BLACK

SIZE A3 CAGE CODE 00779 DRAWING NO C-1634629 RESTRICTED TO -

CUSTOMER DRAWING SCALE 1:1 SHEET 1 OF 1 REV C

单击下面可查看定价，库存，交付和生命周期等信息

[>>TE Connectivity\(泰科\)](#)